

TV μ Com-10Gb+

38999 10Gb

Ethernet Connector



Description

μ Com-Series is a new range of connectors designed to address the latest trends of the military industry: miniaturization and high speed, with the highest resistance for use in the harshest environments. TV μ Com combines μ Com-10G+ speed with 38999 Series III size 11 shells robustness.

Main Features

- Based on MIL-DTL-38999 series III – Shell size 11
- 10Gb+: exceeds 10Gb/s Ethernet following IEEE 802.3an-2006 : 10GBase-T
- Cat.6A connector according to TIA568C.2 and ISO/IEC11801 standard
- Environmental testing based on MIL-DTL-38999 series III military specifications

- 4 pairs totally insulated throughout the connector
- Minimum cross-talk between the four pairs
- Patented special interfacial shapes
- Minimum perturbation at the interface of each pair
- 38999 size 11 shell
- Aluminium shell*:
 - Olive Drab Cadmium ▶ salt spray: 500h
 - Nickel ▶ salt spray: 48h ✓
 - Black Zinc Nickel ▶ salt spray: 500h ✓
- Marine bronze shell ✓ ▶ salt spray: 500h

- Machined & gold plated Solder and Crimp contacts
- Design & performance according to the innercontact of M39029/77-429#16 M39029/76- 425#16 38999 coaxial contact
- Contacts are crimped with standard crimping tool M22520/2-01 + Amphenol μ Com positioner
- μ Com contact module: machined brass
- Solder contact: max AWG24
- Crimp contact: AWG 24 to 28
- IP68 sealing mated and unmated for PCB receptacles
- 1500 Vrms Dielectric Withstanding Voltage
- Temperature range: - 55°C / + 125°C

*Please contact us for other plating options

✓ : RoHS compliant

Markets & Applications



C4ISR, Battlefield, Ground vehicles



Navy



Commercial Aerospace



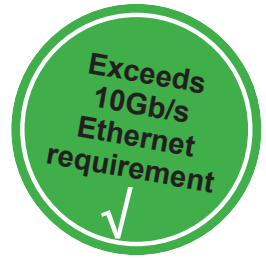
Railway



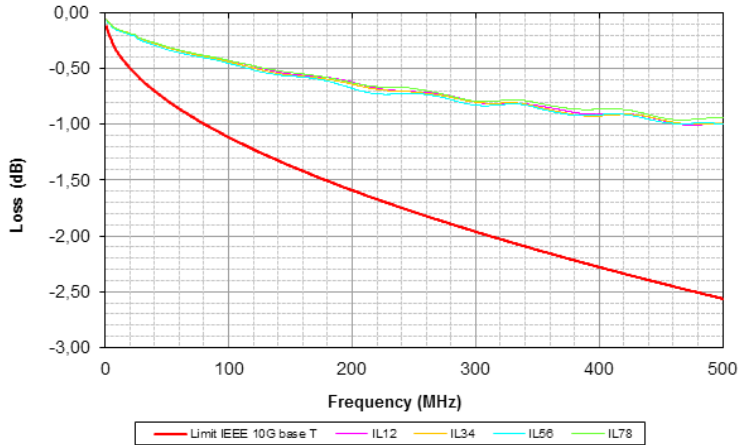
Applications:

- ▶ Shipboard, In Flight Entertainment *
- * μ Com approved by GORE

Data Transmission



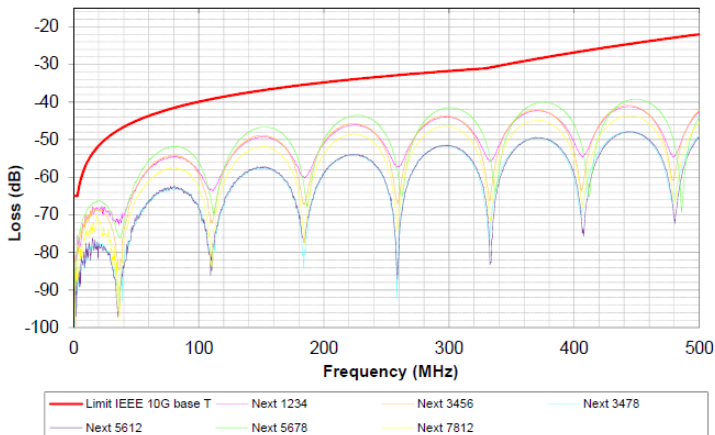
Insertion Loss (IL) :



← Amphenol μ Com performance

← IEEE 802.3an Standard requirement

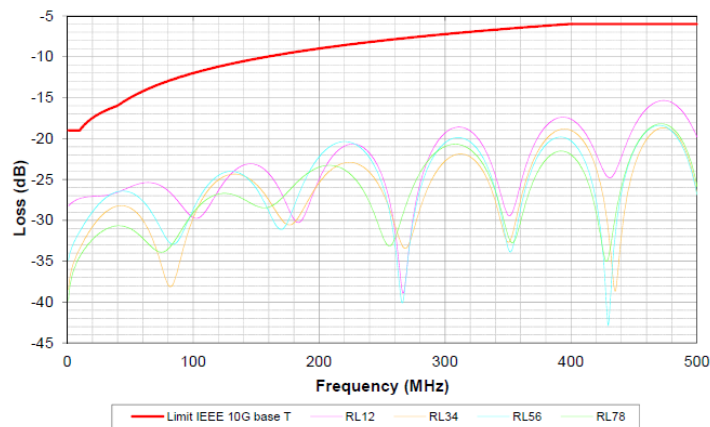
Near End crosstalk (NEXT) :



← IEEE 802.3an Standard requirement

← Amphenol μ Com performance

Return Loss (RL) :

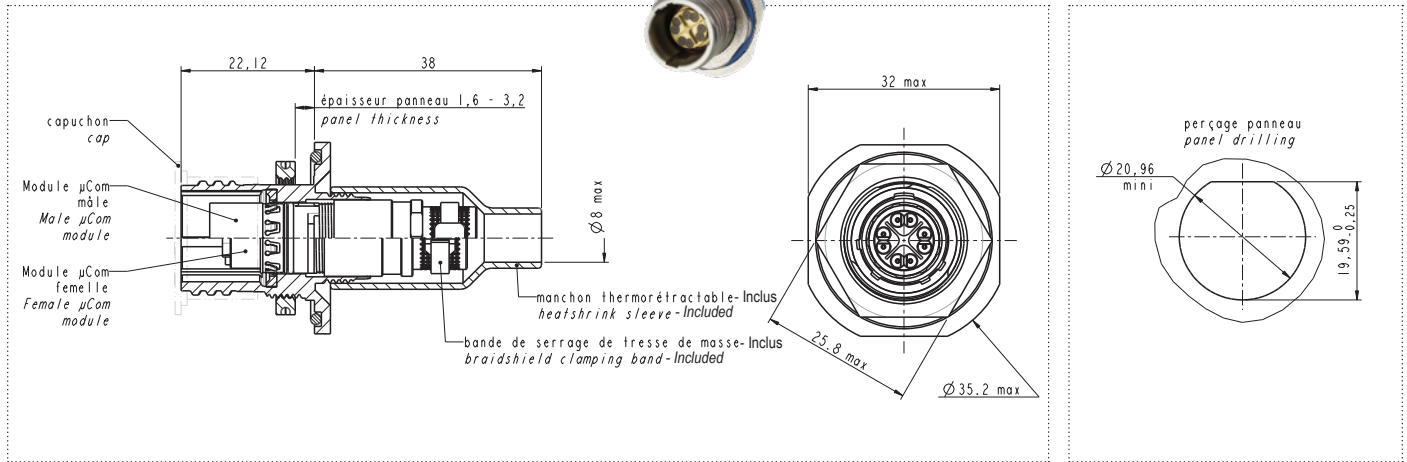


← IEEE 802.3an Standard requirement

← Amphenol μ Com performance

TV μ Com-10Gb+

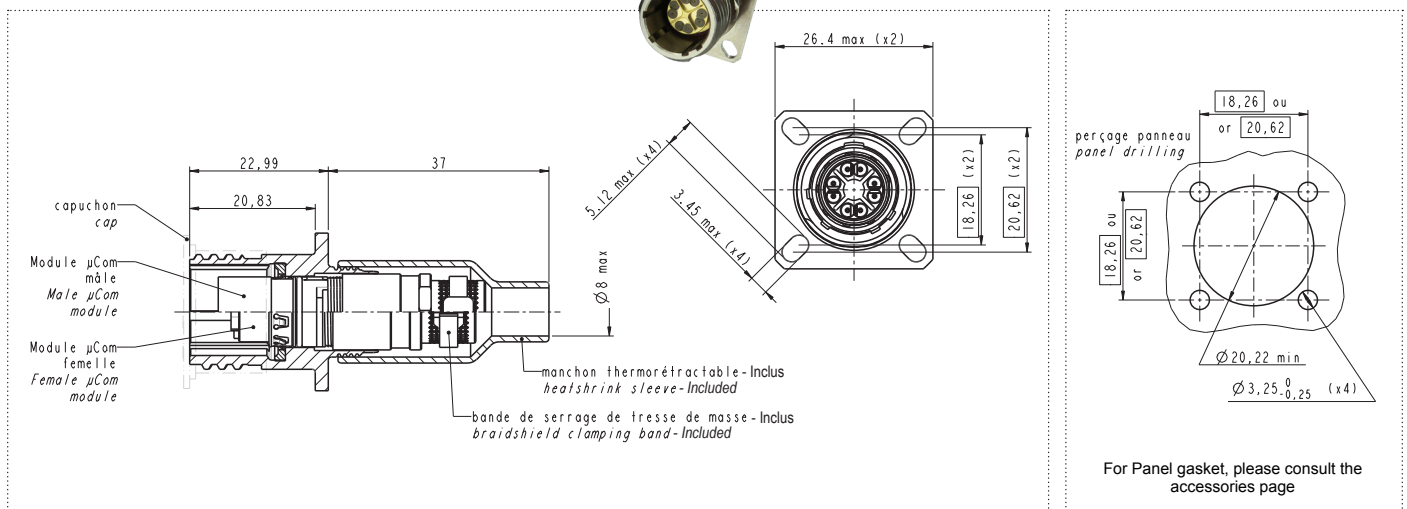
Standard Receptacles TV07



TV07 UCOM X X -11 X

Panel Drilling

TVP00



TVP00 UCOM X X -11 X

Panel Drilling

How to order standard receptacles

Series	TV	07	UCOM	C	W	-11	S
Shell type							
07: Jam nut receptacle							
P00: Square flange receptacle							
UCOM							
Contacts termination							
C: Crimp							
S: Solder							
Shell material and finish*							
W: Aluminium shell - Olive drab cadmium plating							
F: Aluminium shell - Nickel plating ✓							
ZN: Aluminium shell - Black zinc nickel plating ✓							
B: Marine bronze shell ✓							
Shell size							
11							
Type of contact							
P: Male μ Com module							
S: Female μ Com module							

Examples: TV 07 UCOM C W -11 S; TV P00 UCOM S W -11 S

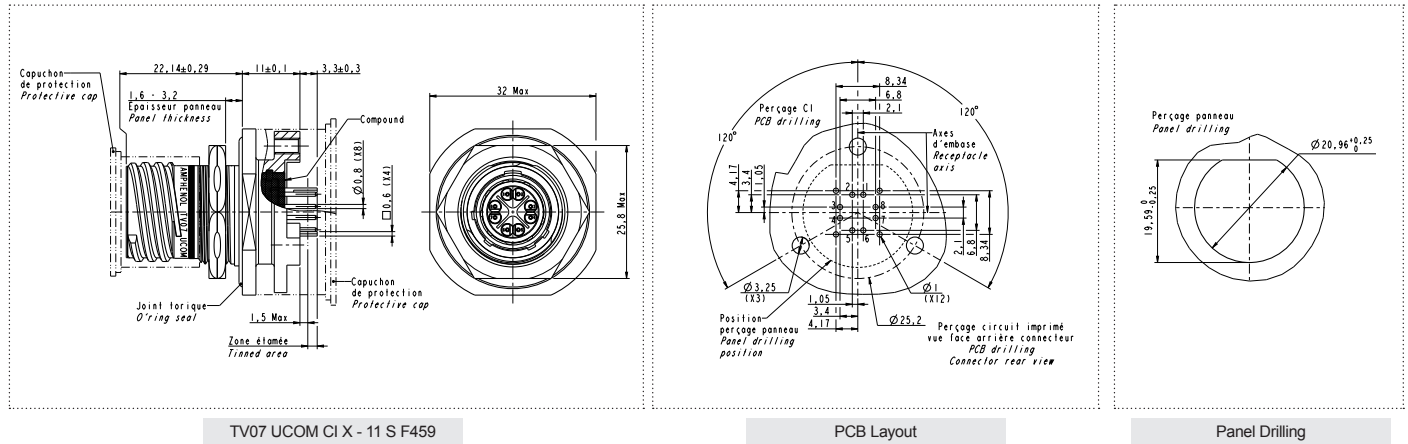
✓: RoHS compliant

* Please contact us for other plating options

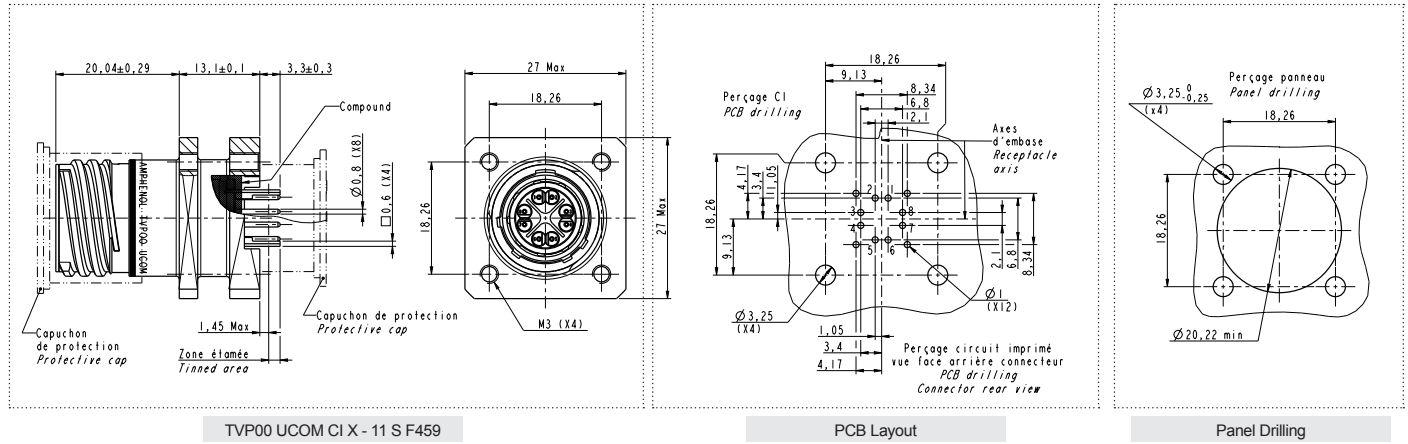
TV μCom-10Gb+

Stand off Receptacles

TV07 F459

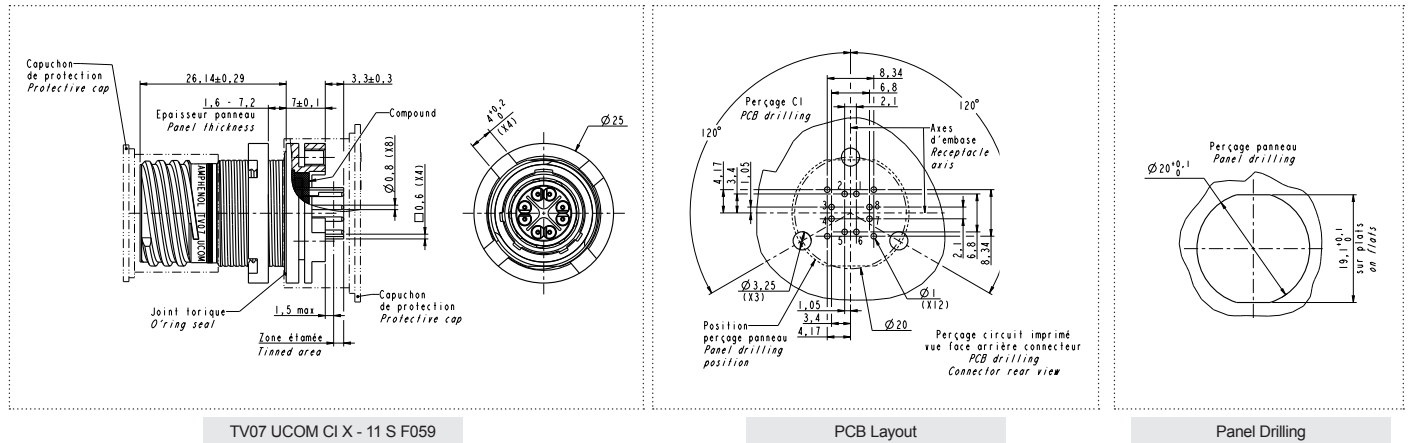


TVP00 F459



Stand off Reduced Flange Receptacle

TV07 F059



TV μ Com-10Gb+

How to order stand off receptacles

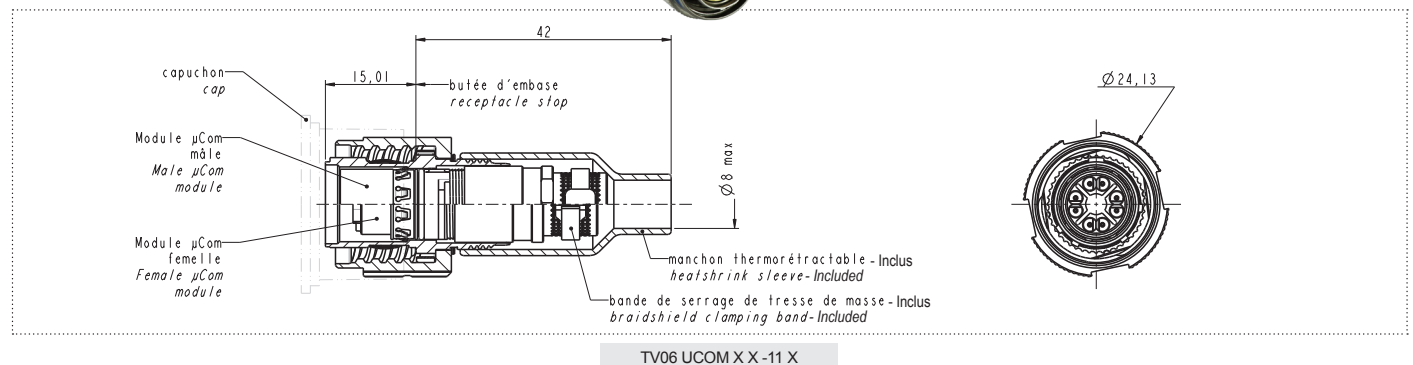
Series	TV	07	UCOM	CI	W	-11	S	F459
Shell type 07: Jam nut receptacle P00: Square flange receptacle								
UCOM								
Contacts termination CI: PCB Tail								
Shell material and finish* W: Aluminium shell - Olive drab cadmium plating F: Aluminium shell - Nickel plating ✓ ZN: Aluminium shell - Black zinc nickel plating ✓ B: Marine bronze shell ✓								
Shell size 11								
Type of contact S: Female μ Com module								
Deviation F459: Stand off F059: Stand off Reduced Flange for Jam Nut receptacle only								

Example: TV07UCOMCI11SF459

✓: RoHS compliant

* Please contact us for other plating options

Plug TV06



How to order plugs

Series	TV	06	UCOM	C	W	-11	P
Shell type 06: Plug							
UCOM							
Contacts termination C: Crimp S: Solder							
Shell material and finish* W: Aluminium shell - Olive drab cadmium plating F: Aluminium shell - Nickel plating ✓ ZN: Aluminium shell - Black zinc nickel plating ✓ B: Marine bronze shell ✓							
Shell size 11							
Type of contact P: Male μ Com module S: Female μ Com module							

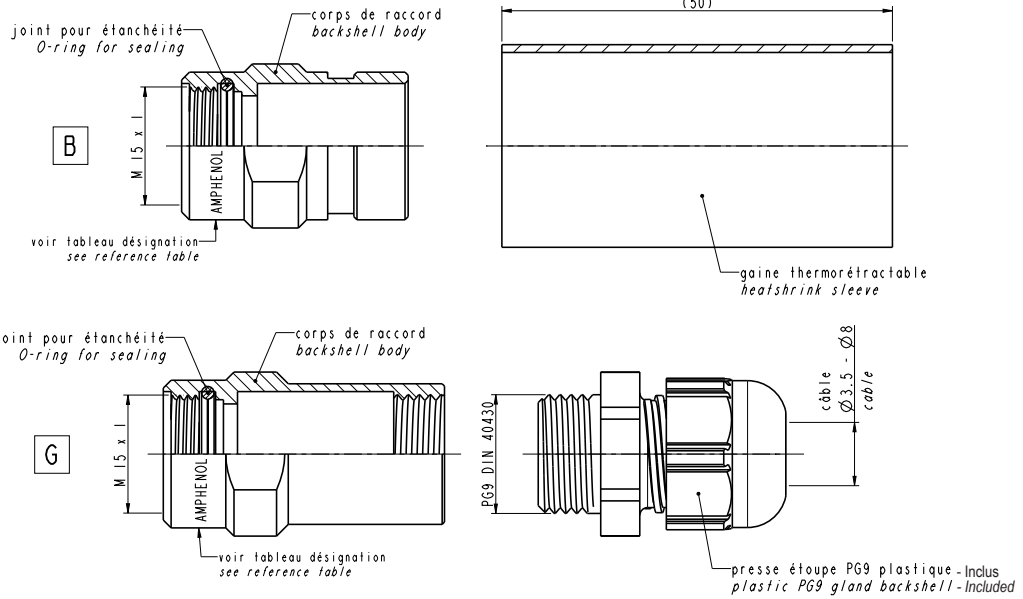
Examples: TV 06 UCOM C F -11 P; TV 06 UCOM S ZN -11 P

* Please contact us for other plating options

✓: RoHS compliant

TV µCom-10Gb+

Special Backshells



TV UCOM X X

How to order - Special Backshells

Series	TV UCOM	W	B
Shell material and finish* W: Aluminium shell - Olive drab cadmium plating F: Aluminium shell - Nickel plating ✓ ZN: Aluminium shell - Black zinc nickel plating ✓ B: Marine bronze shell ✓			
Backshell type B: Backshell for heatshrink sleeve G: Backshell for PG gland			

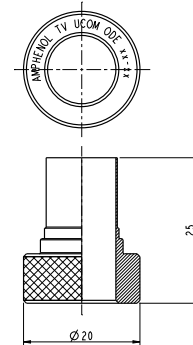
✓ : RoHS compliant

* Please contact us for other plating options

TV μ Com-10Gb+

Accessories Removal tool

Part number: **TV UCOM ODE**



Spares

Crimp Pin
Part number: **31073**



Crimp Socket
Part number: **31074**



Panel Gasket for TVP00

Part number: **JE11**
(thickness: 0,8 mm [.031])



Tools



- Insertion tool for crimp contacts
Part number: **31056**



- Contact positioner for M22520/2-01 crimping tool
Part number: **31095**

Nota: the cabling instructions are available upon demand (ref. N00-040190-00).

Watch our videos

Assembly Solder Version



2:41

<http://opn.to/a/LJYuV>

Scan
& discover !



Assembly Crimp Version



3:32

<http://opn.to/a/6ud5l>

Scan
& discover !



TV µCom-10Gb+ - STANDARD METALLIC CAPS

Description

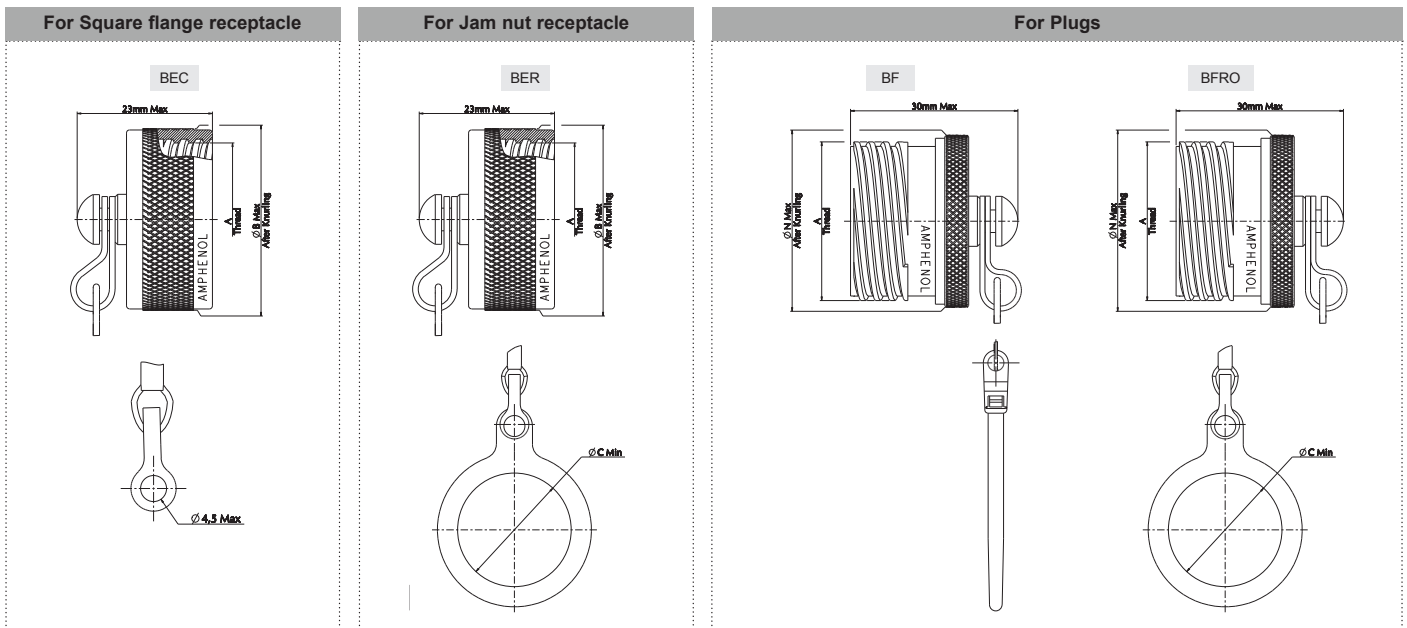
The largest range of protective caps with IP68 protection level.

Main features

- Compatible with Plugs, Jam nut (Standard and Reduced Flange) and Square Flange receptacles
- IP 68 (permanent sealing)
- Protection again dust, water and moisture
- EMI function
- Nylon cord, stainless steel rope or metallic chain



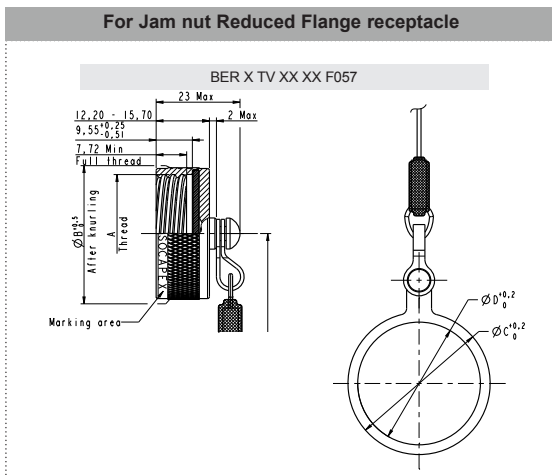
Overall dimensions



Lanyard (Attachment) Length

Cap type	Metallic chain length	Nylon cord length	Stainless steel rope length
BEC/BER for receptacle		127 (+13,-7)	
BF for plug		160±5	

Size	A thread 0.1P-0.3L-TS Class 2A (External) Class 2B (Internal) (inch)	ØB Max (After Knurling)	ØC Min	ØN Max
11	.7500	22,60	21,97	20,50



Size	A Thread	Ø B +0,5 0	Ø C +0,2 0	Ø D +0,2 0
11	0.750-2B-0.1P-0.3L-TS	22,60	25,5	20,5

TV μ Com-10Gb+ - METALLIC SELF-CLOSING CAPS

NEW



Description

High end protection with metallic self-closing function.

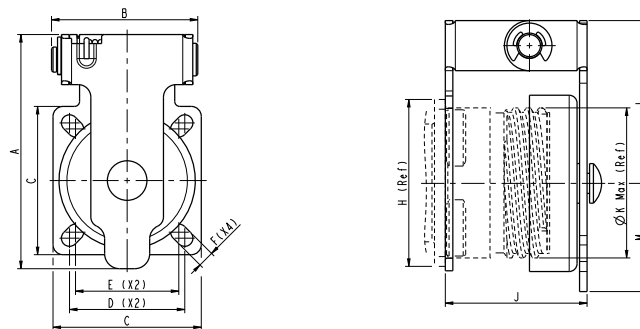
Main features

- Compatible with Square flange receptacles
- Material: Aluminum
- Platings: Olive drab cadmium, Black zinc nickel, Electroless nickel and Black electrophoresis
- IP67 (1m, 1 hour sealing)
- Protection against dust, water and moisture
- EMI function
- Fast self-closing function
- Space and weight saving: no need for Dummy receptacle
- No noise from pending cap



Overall dimensions

For Square flange receptacle



Size	A	B	C	D	E	F	H	J	ØK Max	L	M	N	ØP Min	ØQ ± 0,13
11	43,0	27,2	27,2	20,62	18,26	3,25	26,19	31,2	19,05	27,0	16,0	20,62	15,88	3,25

TV μ Com-10Gb+ - SILICONE CAPS

Description

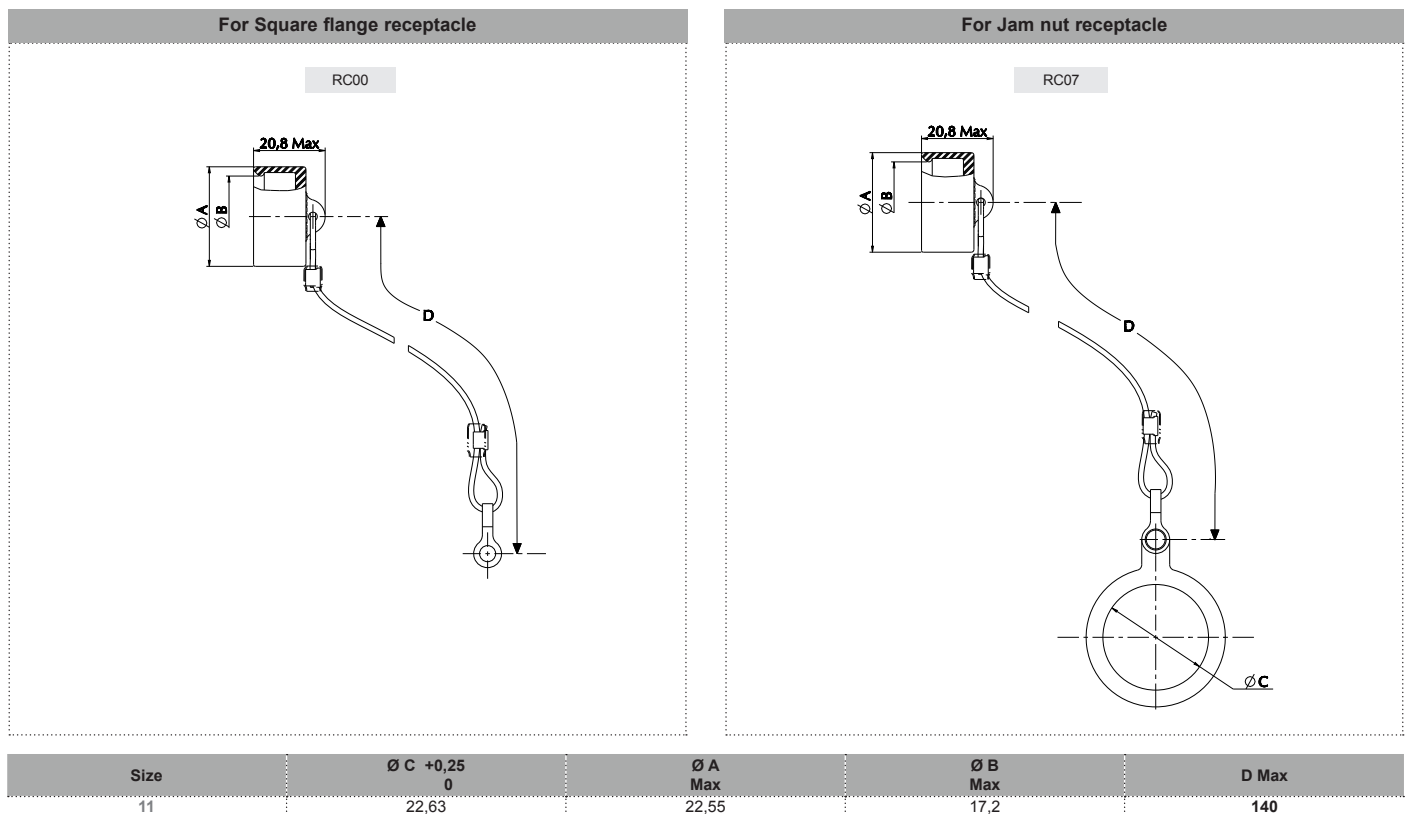
Silicone protective caps against dust and water.

Main features

- Compatible with Jam nut and Square flange receptacles
- IP67 (1m, 1 hour sealing)
- Protection against dust and water
- Silicone 200°C
- Nylon cord
- No noise (rubber material)



Overall dimensions



HOW TO ORDER - CAPS

Protective Caps - Standard Metallic Caps

Standard Metallic Caps	B	EC	N	TV	W	11
Protection cap type						
EC: For square flange receptacle						
ER: For jam nut receptacle						
F: For plug						
Wire type						
Blank for metallic chain						
N: Nylon cord						
R: Jacketed stainless steel rope						
RO: Jacketed stainless steel rope with washer end (only for plug)						
Connector type						
Material and finish						
W: Olive drab cadmium plated on aluminum (175°C)						
ZN: Black zinc nickel plated on aluminum (175°C) ✓						
F: Electroless nickel plated on aluminum (200°C) ✓						
B: Marine bronze (200°C) ✓						
Z: Green zinc cobalt plated on aluminum (175°C) ✓						
Corresponding connector shell size						
11						
Deviation						
F057 for jam nut Reduced Flange receptacle only						
Blank for others						

Protective Caps - Metallic Self-Closing Caps/Square Flange Receptacles only

Metallic Self-Closing Caps	TV	-	SCC	11	F
Protection cap type					
Blank for square flange receptacle					
SCC					
Self-closing type					
Shell size					
11					
Material and finish					
W : Olive drab cadmium on aluminum (175°C)					
ZN : Black zinc nickel on aluminum (175°C) ✓					
F : Electroless nickel on aluminum (200°C) ✓					
B : Black electrophoresis on aluminum (125°C)					

Protective Caps - Silicone Caps/Receptacles only

Rubber Caps	RC	00	N	TV	11
Protection cap type					
00: For square flange receptacle					
07: For jam nut receptacle					
Wire type					
N: Nylon cord					
Connector type					
Shell size					
11					

✓: RoHS compliant

Amphenol Military Interconnections

Discover our new INTERACTIVE APP app featuring Amphenol large products range for Military applications.
Find the right product for your Soldiers Equipment, Ground Vehicles, Military Aircraft, Navy, Helicopters, Missiles and UAVs.
Available on our booth & on our website <https://www.amphenol-socapex.com/en/military-avionics-cp10114-me46-151.aspx>



X-ON Electronics

Largest Supplier of Electrical and Electronic Components

Click to view similar products for [Circular MIL Spec Connector](#) category:

Click to view products by [Amphenol](#) manufacturer:

Other Similar products are found below :

[0025-262-542](#) [0025-264-3014](#) [58-570121-04S](#) [0134-202-1200](#) [0134-207-1206](#) [0134-207-1800](#) [0134-207-2207](#) [0134-213-0806](#) [0134-213-1007](#) [0134-213-1009](#) [0134-213-1208](#) [0134-213-1800](#) [0134-213-2209](#) [0025-258-000](#) [015-9516-002](#) [60-042722-19P](#) [0114-201-1278](#) [602GB06EG24-61SN](#) [0134-201-1207](#) [0134-201-1806](#) [0134-201-2006](#) [0134-201-2007](#) [0134-201-2010](#) [0134-202-1400](#) [0134-207-0809](#) [0134-207-1208](#) [0134-207-2009](#) [0134-213-1006](#) [6104-207-2302](#) [6104-208-1902](#) [6131-202-19149P](#) [6131-204-21149P](#) [6131-207-13149P](#) [6131-208-13149P](#) [6131-209-17149P](#) [6131-210-11149P](#) [6131-211-19149P](#) [6131-216-19149P](#) [6131-220-25149P](#) [6131-259-11149P](#) [6131-259-21149P](#) [6131-259-23149P](#) [6131-263-19149P](#) [6131-265-17149P](#) [6131-265-19149P](#) [CS3102A-20-15P](#) [CS3102A-20-15S](#) [CS3102C18-4P-472](#) [CS3106A-20-29P](#) [CS3106A-20-74P](#)