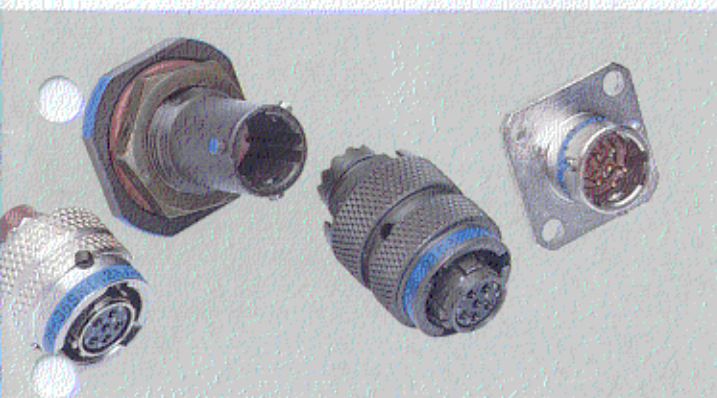
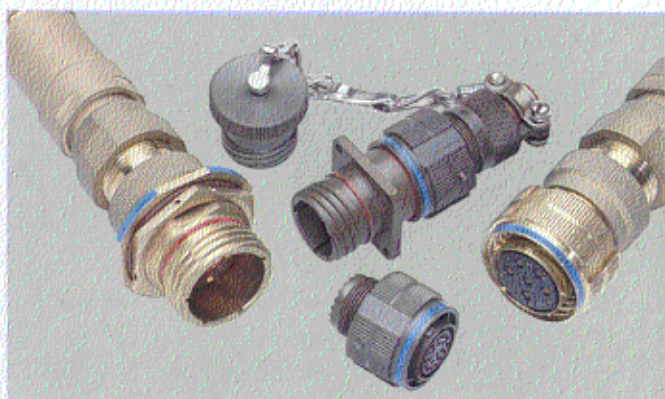


# Amphenol

## MIL-C-38999

Full range catalogue



Amphenol Ltd

MIL-C-38999 connectors are designed & approved to meet the most stringent requirements of the military and aerospace industry. Within the connector range Amphenol produce 4 series of connectors. These cover low profile light weight to ruggedised scoop proof connectors. All connectors are rated at 175°C for olive drab finish and 200°C for electroless Nickel. A Cadmium free olive drab version is available. Contact counts in the connectors range from 1 to 128 with five sizes of contact and over 100 insert planforms are available. With this broad range, a MIL-C-38999 connector is suitable for the majority of harsh environment applications



**JT** Light weight low profile bayonet connector. Ideal for use in avionics box and other limited space conditions.

**Approved to:** MIL-C-38999 series 2  
BS9520 G0002  
PAN 6433-1  
HE309

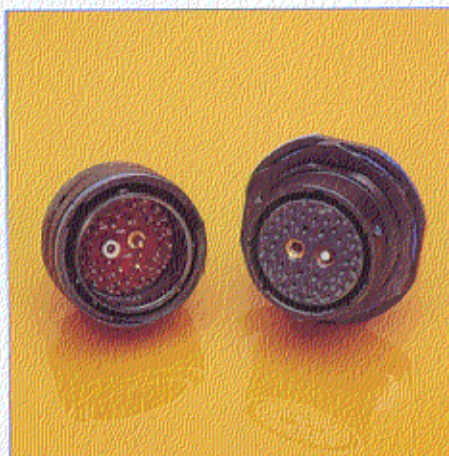


**SJT** A light weight scoop proof bayonet connector intermountable with MIL-C-26482 type connectors. Commonly used on European military aircraft

**Approved to:** LN29729  
VG96912  
PAN 6433-2  
JN1003

**LJT** A range of rugged scoop proof bayonet connector suitable for general duty applications ie. ground support systems.

**Approved to:** MIL-C-38999 series 1  
BS9522 F0029, BS9520 G0001  
HE308

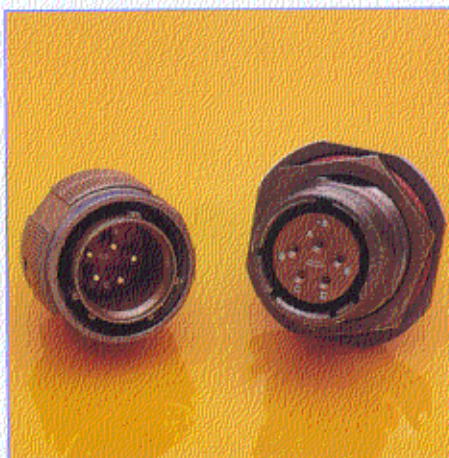


**TV** Highest performance connector with quick threaded coupling mechanism. Used in high vibration & EMI/RFI environments and on portable communication systems. A stainless steel connector firewall version is available for use on engine harnesses.

**CTV** Composite light weight connector ideal for use in aircraft or extreme salt spray environments.

**TVRB** Marine Nickel Aluminium Bronze version chosen for use on standard naval applications.

**Approved to:** MIL-C-38999 series 3  
BS9522 F0039 / BS9520 G0003  
JN1034



TVP00R CTVP00R BS-C6170 D38999/20 JN1034A Wall mounting receptacle .....	1
TVP02R CTV02R JN1034F Box mounting receptacle .....	1
TV06R BS-C6176 D38999/26 Straight plug JN1034C .....	1
TV07R CTV07R BS-C6177 D38999/24 JN1034B Jam nut receptacle .....	1
TV JN1034D Dummy receptacle .....	1
TVPS02Y D38999/21 Hermetic box mounting receptacle .....	1
TVS07Y D38999/23 Hermetic jam nut receptacle .....	1
TVS1Y D388999/25 Hermetic solder mounting receptacle .....	1
TV - Cable Clamp.....	1
TV - Receptacle protection cap .....	1
TV - Plug protection cap .....	2
LJT00R BS-C6160 MS27466 HE308-00T Wall mounting receptacle .....	2
LJTPO0R BS-C6163 MS27656 Wall mounting receptacle (back panel mounting) .....	2
LJT02R BS-C6162 MS27496 Box mounting receptacle .....	2
LJTPO2R BS-C6164 MS27505 Box mounting receptacle (back panel mounting) .....	2
LJT06R BS-C6166 MS27467 HE308-06T Straight plug .....	2
LJT06R (WXX) BS-C6165 Straight Plug (with heavy duty coupling ring) .....	2
LJT07R BS-C6167 MS27468 HE308-07T jam nut receptacle .....	2
LJT00 MS27469 Hermetic wall mounting receptacle.....	2
LJT07 MS27470 Hermetic jam nut receptacle.....	2
LJT1Y MS27471 Hermetic solder mounting receptacle.....	2
LJT Receptacle protection cap .....	3
LJT Plug protection cap .....	3
JT00R BS-C2022 MS27472 Wall mounting receptacle .....	3
JTPO0R BS-C2023 MS27497 HE309 03T PAN 6432-1B Wall mounting receptacle (back panel mounting) .....	3
JT02R BS-C2251 MS27499 Box mounting receptacle .....	3
JTPO2R BS-C2253 MS27508E PAN 6433-1E Box mounting receptacle (back panel mounting) .....	3
JT06R BS-C2020 MS27473 HE309 06T PAN 6433-IF - Ungrounded .....	3
JTG06R BS-C2021 MS27484 HE309 G06T PAN 6433-IFG - Grounded straight plug .....	3
JT07R BS-C2024 MS27474 HE309-07T PAN 6433-1A Jam nut receptacle .....	3
JT00 MS27475 Hermetic wall mounting receptacle .....	3
JT02 MS27476 Hermetic box mounting receptacle .....	3
JT07 MS27477 Hermetic jam nut receptacle .....	4
JT1 MS27478 Hermetic solder mounting receptacle .....	4
JT PAN 6433-IM Receptacle protection cap .....	4
JT PAN 6433-IM Plug protection cap .....	4
JT/LJT Cable Clamp .....	4
SJT00RT JN1003-B PAN 6433-2B VG96912-A Wall mounting receptacle .....	4
SJTPO2RE Box mounting receptacle (back panel mounting) .....	4
SJT02RE JN1003-H Box Mounting Receptacle .....	4
SJT06RT/SJTGO6RT JN1003-FG PAN 6433-2F, PAN 6433-2FG VG96912-D, VG96912-E Straight plugs.....	4
SJT07RT JN1003-A PAN 6433-2A VG96912-B Jam nut receptacle .....	4
SJT JN1003-R Dummy receptacle .....	5
SJTB JN1003-J Through Bulkhead .....	5
SJT1Y JN1003-E Hermetic solder mounting receptacle .....	5
SJT07Y - Hermetic Jam nut receptacle .....	5
SJT - Accessories Cable Clamp .....	5
SJT - Accessories Receptacle protection cap .....	5
SJT - Accessories Plug protection cap .....	5
Thru-Bulkhead Receptacle.....	5
Crimp Contacts .....	5
Crimping/Insertion/Removal Tools .....	5
Low Profile MIL-STD 1760 Breakaway - D38999/31 Style 1 Approved .....	6
Printed Circuit Board Contacts Coax and Twinax .....	6
Coaxial Contacts .....	6
Wire Wrap Contacts .....	6
Printed Circuit Board Contacts Standard .....	6
Multi-Mode Termini, Size 16 .....	6
Ordering Information .....	6

Wire Size	Test Current						
28	1.5	1.5	-	-	-	-	-
26	2.0	2.0	2.0	-	-	-	-
24	3.0	3.0	3.0	3.0	-	-	-
22	5.0	-	5.0	5.0	-	-	-
20	-	-	-	7.5	7.5	-	-
18	-	-	-	-	10.0	-	-
16	-	-	-	-	13.0	-	-
14	-	-	-	-	-	17.0	-
12	-	-	-	-	-	23.0	-
10	-	-	-	-	-	-	-
8	-	-	-	-	-	-	46.0
6	-	-	-	-	-	-	-
4	-	-	-	-	-	-	-
Hermetic Contacts	3	2	3	5	10	17	N/A
<b>Crimp Well Data</b>							
Diameter ± 0.01	0.0345	0.0280	0.0365	0.047	0.067	0.100	0.181
Depth	0.141	0.141	0.141	0.209	0.209	0.209	0.394
<b>Maximum Millivolt Drop</b>							
Crimp Contacts	73	45	73	55	49	42	26
Hermetic Contacts	85	60	85	60	85	85	N/A
Hermetic Contacts according to M39029 Standard	803	803	803	605	539	462	N/A

Tested using silver plated wire

### Service Rating\*\*

Service Rating	Suggested Operating Voltage (Sea Level)		Test Voltage (Sea Level)	Test Voltage 50,000ft	Test Voltage 70,000ft	Test Voltage 110,000ft
	AC(RMS)	DC				
M	400	500	1300 VRMS	550 VRMS	350 VRMS	200 VRMS
N	300	450	1000 VRMS	400 VRMS	260 VRMS	200 VRMS
I	600	850	1800 VRMS	600 VRMS	400 VRMS	200 VRMS
II	900	1250	2300 VRMS	800 VRMS	500 VRMS	200 VRMS

\* Please note that the establishment of electrical safety factors is left entirely in the designers hands, since he is in the best position to know what peak voltages, switching surges, transients, etc., can be expected in a particular circuit.

### EMI shielding effectiveness

Frequency MHz	Leakage attenuation (dB) Minimum				
	Series II	Series III			Series I & SJT
	Finish B and F	Class K and Y	Class F, N, M and S	Class W and J	Finish B and F
100	65	80	90	90	90
200	60	75	88	88	88
300	55	73	88	88	88
400	55	71	87	87	87
800	45	66	85	85	85
1,000	45	65	85	85	85
1,500	-	59	76	69	69
2,000	-	55	70	65	65
3,000	-	52	69	61	61
4,000	-	50	68	58	58
6,000	-	48	66	55	55
10,000	-	45	65	50	50

### Fluid Immersion

- |  |                                 |  |
|--|---------------------------------|--|
| (a) MIL-H-5606                         | (i) Isopropyl alcohol per       | (k) Azeotrope or trichlorotri          |
| (b) M2-V chevroni                      | TT-1-735, grade A or B mixed    | fluoroethane (Freon TMC or             |
| (c) MIL-T-5624 (grade JP-5)            | one part by volume with three   | equal) and methylene chloride          |
| (d) MIL-L-7803                         | parts by volume of mineral spir | (l) Coolant-dielectric fluid synthetic |
| (e) MIL-L-23699                        | its per TT-T-291, type 1 or     | silicate ester base                    |
| (f) MIL-A-8243                         | P-D-680, type 1                 |  |
| (g) MIL-L-25769 (Diluted for cleaning) | (j) 1-1-1 trichloroethane       |  |
| (h) MIL-G-3056 Type 1                  |                                 |  |



						Class H	Class Y*	Rating	Contacts	Z2D	Z2M	Z2	Z0	Z6	Z12	8 (Coax)	8 == (Twinax)	10 (Power)	12 Coax
18-35			18-35	A	X			M	66	66									
	19-35	19-35		A	X														
18-53				B	X			M	53			53							
	19-53			B	P														
18-66				C	X			M	66		66								
	19-66			C	X														
	19-67			B	3			M	67		67								
18-68				B	2			I	18				18						
	19-68			B	3														
18-96				B	2			I	9					9					
20-1				C	X			M	79		79								
	21-1			C	X														
20-2			20-2	B	X			M	65		65								
	21-2			B	2														
20-11			20-11		3			I	11					11					
	21-11	21-11			X														
20-16			20-16		X			II	16					16					
	21-16	21-16			X	P	P												
	21-24			B	#			I	24				24						
	21-25			B	#			I	25					25					
	21-27			B	#			I	27					27					
20-35			20-35	A	X			M	79	79									
	21-35	21-35		A	X														
20-39			20-39		X			I	39				37	2					
	21-39				X														
20-41			20-41	A	X			I	41				41						
	21-41	21-41		A	X														
	21-75	21-75	20-75	B	2			M	4							4⇄	(See Note)		
	21-75			B	X														
	21-79		20-79	B	2			II	19	17							2⇄		
	21-79			B	2														
22-1			22-1	2	X			M	100		100								
	23-1			C	X														
22-2			22-2	B	V			M	85		85								
	23-2			B	X														
22-14				B	2			I	14					14					
	23-14			B	3														
22-21			22-21		X			II	21					21					
	23-21	23-21			X														
22-32					X			I	32					32					
	23-34			B	#			I	34					34					
22-35			22-35	A	X			M	100	100									
	23-35	23-35		A	X														
	23-36			B	#			I	36					36					
22-53			22-53		P			I	53					53					
	23-53	23-53			X														
		23-54			2			M	53	40				9	4				
22-55					X			I	55					55					
	23-55	23-55			3														
	23-97			B	#			II	16					16					
	23-99			B	#			II	11					11					
24-1				C	X			M	128		128								
	25-1			C	X														
24-2			24-2	B	X			M	100			100							
	25-2			B	X														
24-4			24-4		X			I	56				48	8					
	25-4	25-4			X														
	25-7		24-7	B	2			M	99	97							2		
			24-11	B	2														
	25-11	25-11			2			N	11			2						9	
24-19			24-19		2			I	19					19					
	25-19	25-19			2														
	25-20	25-20	24-20	A	2			N	30			10	13**				3		4
24-24			24-24	A	X			I	24					12	12				
	25-24	25-24			X														
	25-26				2			I	25					16	5	4			
24-29			24-29		X			I	29					29					
	25-29	25-29			X														
24-35			24-35	A	X			M	128	128									
	25-35	25-35		A	X														
24-37			24-37	B	2			I	37					37					
	25-37	25-37		B	2														
	25-41		24-41		2			N	41	22			3	11	2			3	
24-43			24-43		2														
	25-43	25-43			3			I	43					23	20				
	25-46	25-46	24-46		2			I	46					40	4		2⇄		
24-61			24-61		2														
	25-61	25-61			X	P	P	I	61					61					
	25-64				X														
	25-64				2			M	64	18				28	18				

(A) Preferred (2) Not tooled for RP or 02RE (P) Pin insert only (S) Socket inserts only  
(B) Non preferred (3) Pin insert only, not tooled for RP or 02RE \* Same as H with interfacial seal \*\* Two size 16 contacts dedicated to fiber optics  
(C) Inactive # Solder contact version only † For RG180/Uand RG195/U Cables only †† Size 8 Coax ,Twinax and Power contacts are interchangeable  
(X) Fully Tooled

NOTE: MS Connector 21-75 is supplied with size 8 twinax. Proprietary connector 21-75 is supplied with size 8 coax

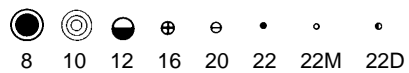
# Insert Arrangements

8-2	8-3 9-3	8-6* 9-6	9-7	9-22	8-35 9-35	8-44* 9-44	8-97	8-98 9-98	10-01 11-01	11-2	10-4 11-4	10-5 11-5
11-6	10-13* 11-13	10-35 11-35	10-98 11-98	10-99 11-99	12-3 13-3	12-4 13-4	12-8 13-8	12-22* 13-22	12-35 13-35			
12-98 13-98	14-4 15-4	14-5 15-5	14-15 15-15	14-18 15-18	14-19 15-19	14-35 15-35	14-37* 15-37					
14-68 15-68	14-97 15-97	17-2	16-6 17-6	16-8 17-8	16-13 17-13	16-26 17-26						
16-35 17-35	16-42 17-42	16-55 17-55	16-99 17-99	18-11 19-11	18-17 19-17							
18-28 19-28	18-30 19-30	18-32 19-32	18-35 19-35	18-53 19-53	18-66* 19-66							

\* Inactive

## Contact Legend

Front end of pins illustrated



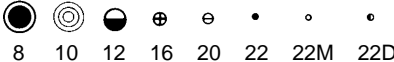
# Insert Arrangements

19-67	18-68 19-68	18-96	20-1* 21-1	20-2* 21-2
20-11 21-11	20-16 21-16	21-24	21-25	21-27
20-35 21-35	20-39 21-39	20-41 21-41	20-75 21-75	20-79 21-79
22-1* 23-1	22-2* 23-2	22-14 23-14	22-21 23-21	22-32 23-32
23-34	22-35 23-35	23-36	22-53 23-53	

\* Inactive

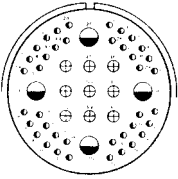
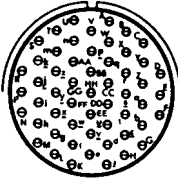
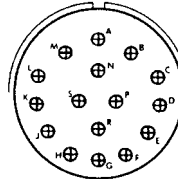
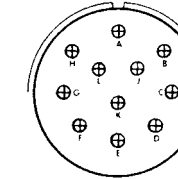
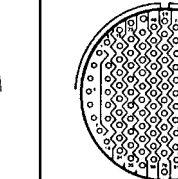
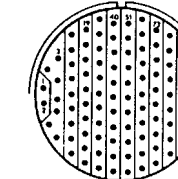
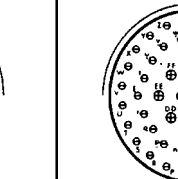
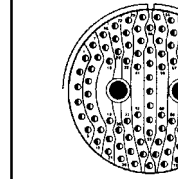
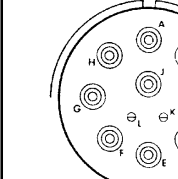
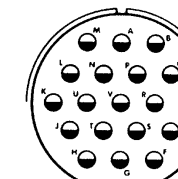
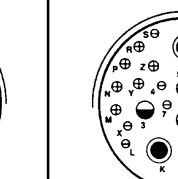
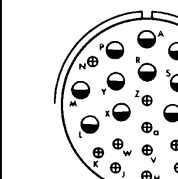
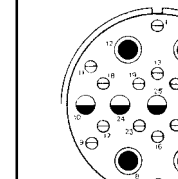
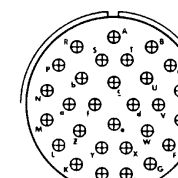
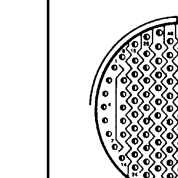
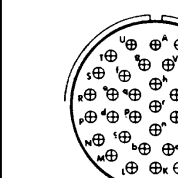
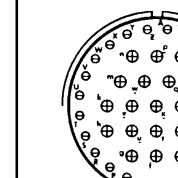
### Contact Legend

Front end of pins illustrated

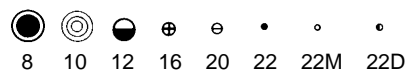




# Insert Arrangements

				
22-54 23-54	22-55 23-55	23-97	23-99	24-1 25-1
				
24-2 25-2	24-4 25-4	24-7 25-7	24-11 25-11	
				
24-19 25-19	24-20 25-20	24-24 25-24	25-26	
				
24-29 25-29	24-35 25-35	24-37 25-37	24-43 25-43	

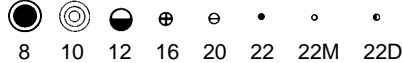
**Contact Legend**  
Front end of pins illustrated



# Insert Arrangements

<p>24-46 25-46</p>	<p>24-61 25-61</p>
<p>24-41 25-41</p>	<p>25-64</p>

**Contact Legend**  
Front end of pins illustrated



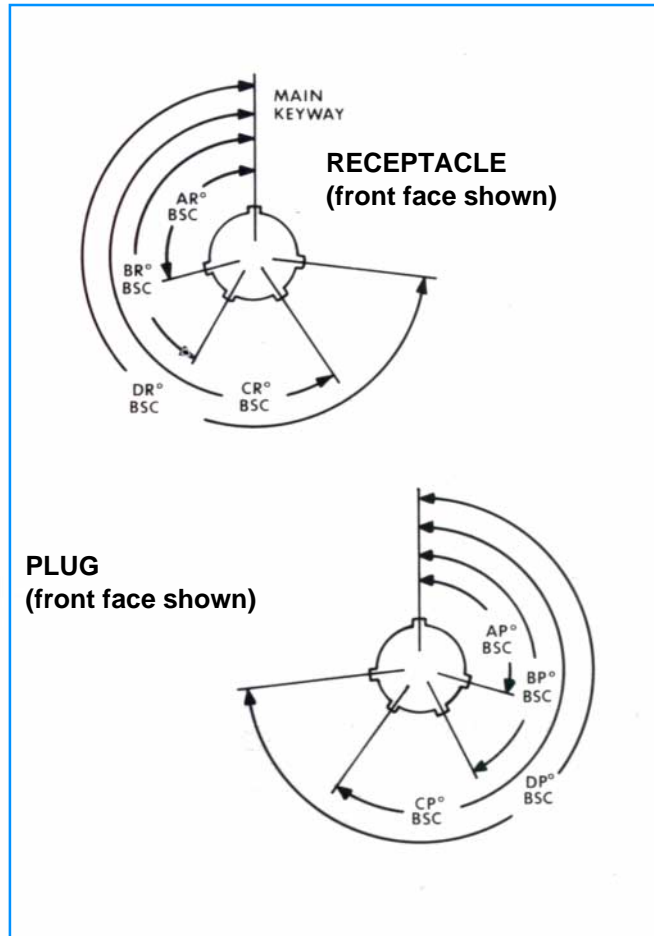
# New Inserts

<p>23-5</p>	<p>23-6</p>	<p>25-8</p>

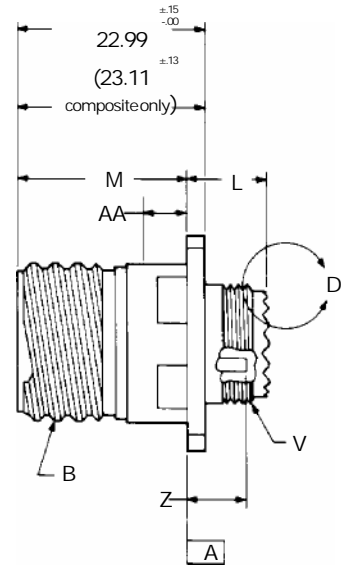
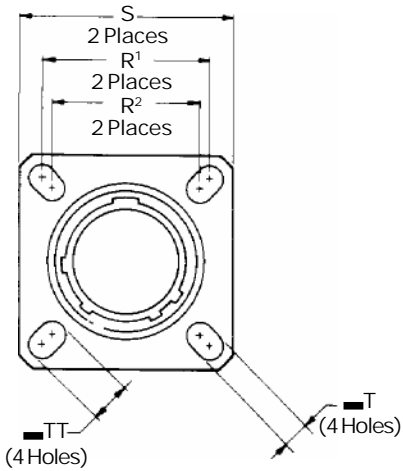
A plug with a given rotation letter will mate with a receptacle with the same rotation letter. The angles for a given connector are the same whether it contains pins or sockets. Inserts are not rotated in conjunction with the master key/keyway.

## Master Key/Keyway Rotation

Shell Size	Key & Keyway Arrangement identification letter	AR°	BR°	CR°	DR°
		AP° BSC	BP° BSC	CP° BSC	DP° BSC
9	N	105	140	215	265
	A	102	132	248	320
	B	80	118	230	312
	C	35	140	205	275
	D	64	155	234	304
11 13 15	N	95	141	208	236
	A	113	156	182	292
	B	90	145	195	252
	C	53	156	220	255
	D	119	146	176	298
17 19	N	80	142	196	293
	A	135	170	200	310
	B	49	169	200	244
	C	66	140	200	257
	D	62	145	180	280
21 23 25	N	80	142	196	293
	A	135	170	200	310
	B	49	169	200	244
	C	66	140	200	257
	D	62	145	180	280
E	79	153	197	272	

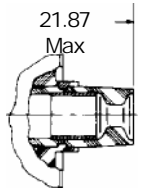


# wall mounting receptacle



- \*TVP00RW... Olive Drab Aluminium
- \*TVPS00RF... Nickel Plated Aluminium
- \*TVPS00RB... Marine Aluminium Bronze
- \*TVPS00RS... Nickel Plated Stainless
- \*TVPS00RK... Firewall Stainless Steel
- \*CTVP00RW... Olive Drab Composite
- \*CTVPS00RF... Electroless Nickel Composite
- \*BS9522G0003C6170... BS Specification
- \*D38999/20... Mil Specification
- \*JN1034A... Olive Drab Aluminium
- \*CECC 75-201-002B Marine Aluminium Bronze

From Surface A



View D enlarged for size 8 coaxial use only

\* To complete order see "how to order" pages.

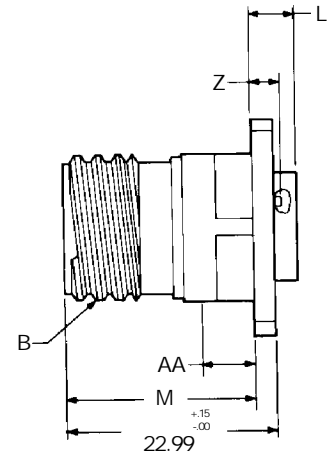
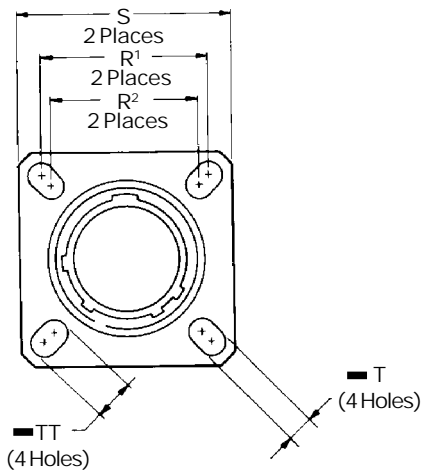
0.01 Dia (M)

Shell Size	MS Shell Size Code	B Thread Class 2A 0.1P-0.3L-TS (Plated)	L Max	M +.00 -.13	M Composite +.00 -.13	<span style="border: 1px solid black; padding: 0 2px;">R<sup>1</sup></span>	<span style="border: 1px solid black; padding: 0 2px;">R<sup>2</sup></span>	S ±.25	T -.20 -.13	Z Max	TT +.20 -.13	V Thread Metric	AA Max Panel Thickness
9	A	.6250	11.91	20.83	19.69	18.26	15.09	24.1	3.25	3.89	5.49	M12X1-6g	5.94
11	B	.7500	11.91	20.83	19.69	20.62	18.26	26.5	3.25	3.89	4.93	M15X1-6g	5.94
13	C	.8750	11.91	20.83	19.69	23.01	20.62	28.9	3.25	3.89	4.93	M18X1-6g	5.94
15	D	1.0000	11.91	20.83	19.69	24.61	23.01	31.3	3.25	3.89	4.93	M22X1-6g	5.94
17	E	1.1875	11.91	20.83	19.69	26.97	24.61	33.7	3.25	3.89	4.93	M25X1-6g	5.94
19	F	1.2500	11.91	20.83	19.69	29.36	26.97	36.9	3.25	3.89	4.93	M28X1-6g	5.94
21	G	1.3750	12.70	20.07	18.92	31.75	29.36	40.1	3.25	4.65	4.93	M31X1-6g	5.18
23	H	1.5000	12.70	20.07	18.92	34.93	31.75	43.3	3.91	4.65	6.15	M34X1-6g	5.18
25	J	1.6250	12.70	20.07	18.92	38.10	34.93	46.4	3.91	4.65	6.15	M37X1-6g	5.18

All dimensions for reference only

  Designates true position dimensioning

# Box mounting receptacle



- \*TVP02RW... Olive Drab Aluminium
- \*TVPS02RF... Electroless Nickel Aluminium
- \*TVPS02RB... Marine Aluminium Bronze
- \*TVPS02RS... Nickel Plated Stainless Steel
- \*TVPS02RK... Firewall stainless Steel
- \*CTVP02RW... Olive Drab Composite
- \*CTVP02RF... Electroless Nickel Composite
- \*JN1034F... Olive Drab Aluminium

\* To complete order number, see "How to order" pages.

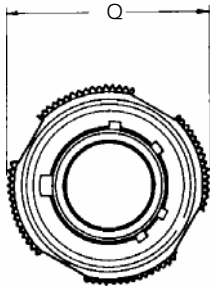
$\blacksquare$   $\varnothing$ 0.13Dia (M)

Shell Size	MS Shell Size Code	B Thread Class 2a 0.1P-0.3L-TS (Plated)	L Max	M +.00 - .13	$\square$ R <sup>1</sup>	$\square$ R <sup>2</sup>	S $\pm$ .25	T +.20 - .13	Z Max	AA Max Panel Thickness	TT +.20 - .13
9	A	.6250	5.21	20.83	18.26	15.09	23.82	3.25	3.89	5.94	5.49
11	B	.7500	5.21	20.83	20.62	18.26	26.19	3.25	3.89	5.94	4.93
13	C	.8750	5.21	20.83	23.01	20.62	28.58	3.25	3.89	5.94	4.93
15	D	1.0000	5.21	20.83	24.61	23.01	30.96	3.25	3.89	5.94	4.93
17	E	1.1875	5.21	20.83	26.97	24.61	33.32	3.25	3.89	5.94	4.93
19	F	1.2500	5.21	20.83	29.36	26.97	36.52	3.25	3.89	5.94	4.93
21	G	1.3750	5.97	20.07	31.75	29.36	39.67	3.25	4.65	5.18	4.93
23	H	1.5000	5.97	20.07	34.92	31.75	42.88	3.91	4.65	5.18	6.15
25	J	1.6250	5.97	20.07	38.10	34.92	46.02	3.91	4.65	5.18	6.15

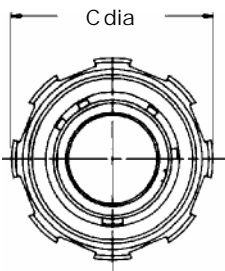
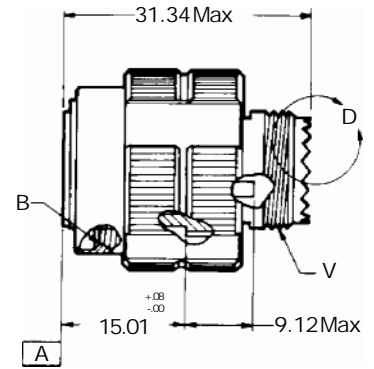
All dimensions for reference only

$\square$  Designates true position dimensioning

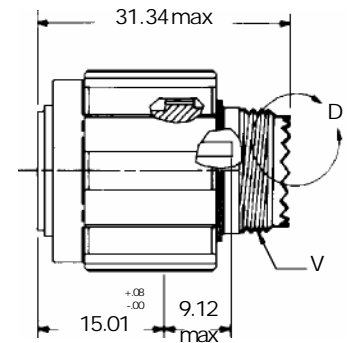
# Straight plug



- \* TV06RW-... Olive Drab Aluminium
- \* TVS06RF-... Electroless Nickel Aluminium
- \* TVS06RB-... Marine Aluminium Bronze
- \* TVS06RS-... Electroless Nickel Stainless Steel
- \* TVS06RK-... Firewall Stainless Steel
- \* CTV06RW-... Olive Drab Composite
- \* CTVS06RF Electroless Nickel Composite
- \* BS9520 G0003 C6176 ... BS Specification
- \* D38999/26-... MII Specification
- \* JN1034C... Olive drab Aluminium

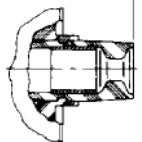


- \* TVS06RB-... (W88) Marine Aluminium Bronze
- \* CECC75-201-002A-... Marine Aluminium Bronze



From surface A  
42.06 Max

View D enlarged for  
size 8 coaxial use only

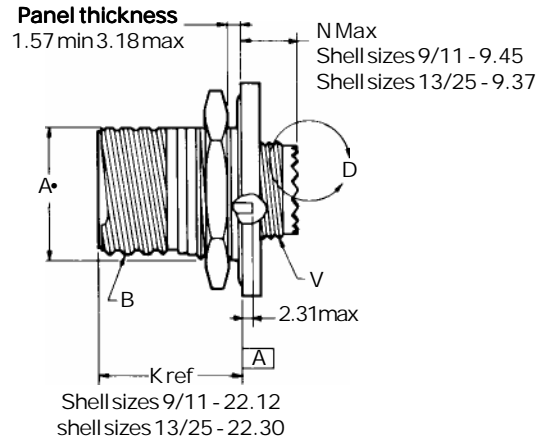
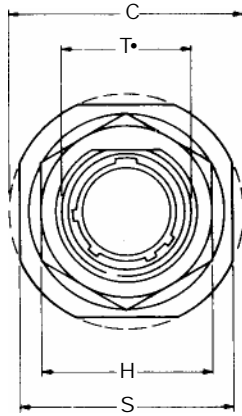


\* To complete order number, see "how to order" pages

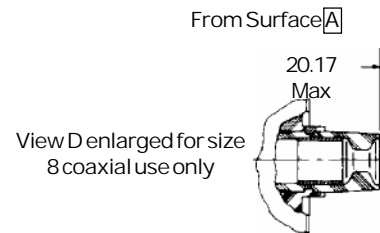
Shell Size	MS Shell Size Code	C Dia Max	B Thread 0.1P.0.3L.TS.2B Code	Q Max	V Thread Metric
9	A	21.1	.6250	21.82	M12X1.6g
11	B	23.8	.7500	24.62	M15X1.6g
13	C	28.2	.8750	28.98	M18X1.6g
15	D	31.4	1.0000	32.16	M22X1.6g
17	E	36.5	1.1875	35.33	M25X1.6g
19	F	39.3	1.2500	38.10	M28X1.6g
21	G	42.5	1.3750	41.28	M31X1.6g
23	H	45.3	1.5000	44.45	M34X1.6g
25	J	48.4	1.6250	47.63	M37X1.6g

All dimensions for reference only

# Jam nut receptacle



- \* TV07RW-... Olive drab Aluminium
- \* TVS07RF-... Electroless Nickel Aluminium
- \* TVS07RB-... Marine Aluminium Bronze
- \* TVS07RS-... Electroless Nickel Stainless Steel
- \* TVS07RK-... Firewall stainless Steel
- \* CTV07RW-... Olive drab composite
- \* CTVS07RF-... Electroless Nickel composite
- \* BS9520 G0003 C6177-... BS approved
- \* D38999/24-... Mil Spec Approved
- \* JN1034B... Olive drab Aluminium
- \* CECC 75-201-002-C-... Marine Aluminium Bronze

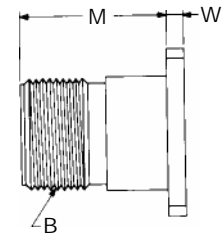
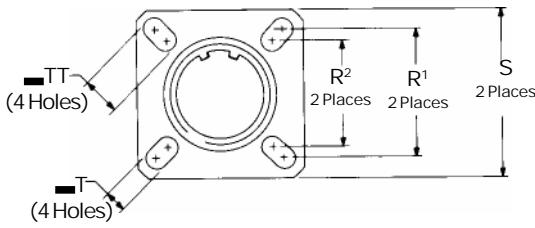


- \* To complete order number see "how to order" pages
- D shaped panel cut-out dimensions

Shell size	MS shell size code	A* +.00 -.25	C max	H hex +.43 -.41	S ±.25	T* +.25 -.00	V thread metric	B Thread Class 2A 0.1 P-0.3L-TS (Plated)
9	A	16.99	30.45	22.23	26.97	17.70	M12X1-6g	.6250
11	B	19.53	35.20	25.40	31.75	20.88	M15X1-6g	.7500
13	C	24.26	38.38	30.18	34.93	25.58	M18X1-6g	.8750
15	D	27.53	41.55	33.32	38.10	28.80	M22X1-6g	1.000
17	E	30.68	44.73	36.53	41.28	31.98	M25X1-6g	1.1875
19	F	33.86	49.50	39.67	46.02	35.15	M28X1-6g	1.2500
21	G	37.06	52.65	42.88	49.23	38.28	M31X1-6g	1.3750
23	H	40.01	55.85	46.02	52.37	41.50	M34X1-6g	1.500
25	J	43.41	59.00	50.80	55.58	44.68	M37X1-6g	1.6250

All dimensions for reference only

# Dummy receptacle



## Aluminium

- \* 10-553974-XXX
- \* BS9522-G0003A6178
- \* JN1034D

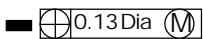
## Nickel Aluminium Bronze

- \* 418-1392-XX

Finish	10-No. Suffix
Olive Drab, Cadmium, nickel base	-XX9
Electroless nickel	-XXG

\* To complete order number, add shell size and suffix number. For example, shell size 11 with olive drab cadmium nickel base, 10-553974-119

For Nickel Aluminium Bronze dummy receptacle shell size only "XX" =



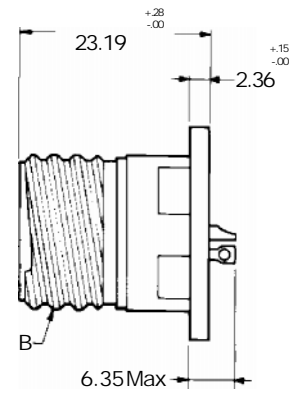
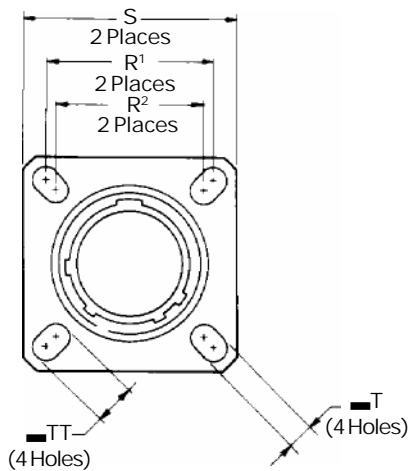
Shell Size	MS Shell Size Code	B Thread Class 2A 0.1P-0.3L-TS (Plated)	M +.51 -.00	<span style="border: 1px solid black; padding: 2px;">R1</span>	<span style="border: 1px solid black; padding: 2px;">R2</span>	S ±.25	T +.20 -.15	W ±.25	TT +.20 -.15
9	A	.6250	20.88	18.26	15.09	23.83	3.25	2.49	5.49
11	B	.7500	20.88	20.62	18.26	26.19	3.25	2.49	4.93
13	C	.8750	20.88	23.01	20.62	28.58	3.25	2.49	4.93
15	D	1.0000	20.88	24.61	23.01	30.96	3.25	2.49	4.93
17	E	1.1875	20.88	26.97	24.61	33.32	3.25	2.49	4.93
19	F	1.2500	20.88	29.36	26.97	36.53	3.25	2.49	4.93
21	G	1.3750	20.09	31.75	29.36	39.67	3.25	3.18	4.93
23	H	1.5000	20.09	34.93	31.75	42.88	3.91	3.18	6.15
25	J	1.6250	20.09	38.10	34.93	46.02	3.91	3.18	6.15

All dimensions for reference only

   Designates true position dimensioning



# Box mounting receptacle - Hermetic



- \*TVPS02Y... Stainless Steel
- \*TVPS02YN... Nickel Plated Stainless Steel
- \*D38999/21... Mil Specification

\* To complete order number, see "how to order" pages.

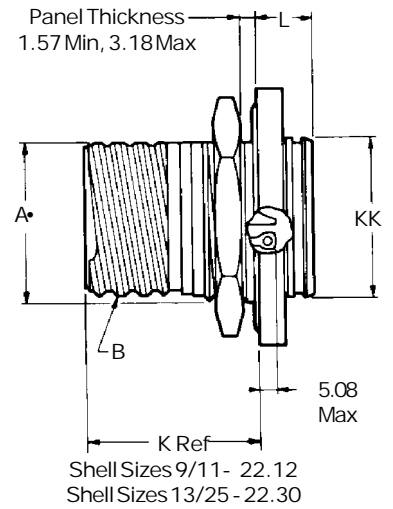
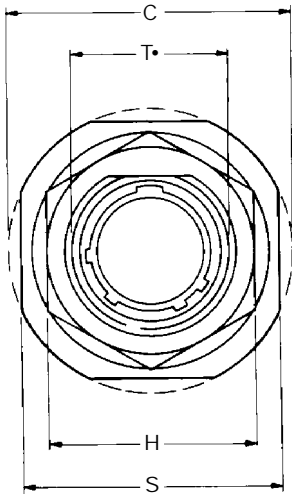
⊕ 0.13 Dia (M)

Shell Size	MS Shell Size Code	B Thread Class 2a 0.1P-0.3L-TS (Plated)	<span style="border: 1px solid black; padding: 2px;">R<sup>1</sup></span>	<span style="border: 1px solid black; padding: 2px;">R<sup>2</sup></span>	S ±.25	T +.20 - .13	TT +.20 - .13
9	A	.6250	18.26	15.09	23.83	3.25	5.49
11	B	.7500	20.62	18.26	26.19	3.25	4.93
13	C	.8750	23.01	20.62	28.58	3.25	4.93
15	D	1.0000	24.61	23.01	30.96	3.25	4.93
17	E	1.1875	26.97	24.61	33.32	3.25	4.93
19	F	1.2500	29.36	26.97	36.53	3.25	4.93
21	G	1.3750	31.75	29.36	39.67	3.25	4.93
23	H	1.5000	34.93	31.75	42.88	3.91	6.15
25	J	1.6250	38.10	34.93	46.02	3.91	6.15

All dimensions for reference only

   designates true position dimensioning

# Jam Nut receptacle - Hermetic



- \* TVS07Y- ... Stainless Steel
- \* TVS07YN- ... Nickel Plated Stainless Steel
- \* D38999/23 ... Mil Specification

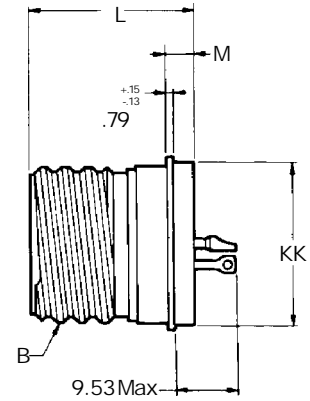
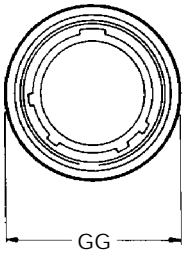
\* To complete order number, see "how to order" pages

Shell Size	MS Shell Size Code	A* +.00 -.25	B Thread Class 2a 0.1P-0.3L-TS (Plated)	C Max	H Hex +.43 -.41	L Max	S ±.25	T* -.25 -.00	KK +.28 -.00
9	A	16.99	.6250	30.45	22.23	9.07	26.97	17.70	16.31
11	B	19.53	.7500	35.20	25.40	9.07	31.75	20.88	19.46
13	C	24.26	.8750	38.38	30.18	9.07	34.93	25.58	22.66
15	D	27.53	1.0000	41.55	33.32	9.07	38.10	28.80	25.86
17	E	30.68	1.1875	44.73	36.53	9.07	41.28	31.98	29.01
19	F	33.86	1.2500	49.50	39.67	9.68	46.02	35.15	32.21
21	G	37.06	1.3750	52.65	42.80	9.68	49.23	38.28	35.36
23	H	40.01	1.5000	55.85	46.02	9.68	52.37	41.50	38.56
25	J	43.41	1.6250	59.00	50.80	9.68	55.58	44.68	41.71

All dimensions for reference only.

• D shaped panel cut-out dimensions

# Solder mounting receptacle - Hermetic



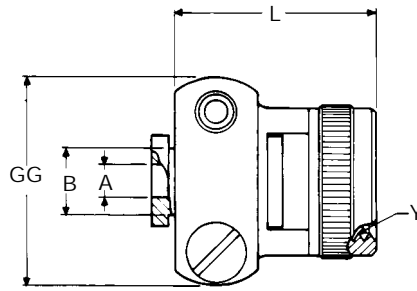
- \* TVS1Y ... Stainless Steel
- \* TVS1YN-... Nickel Plated Stainless Steel
- \* D38999/25... Mil Specification

\* To complete order number, see "how to order" pages

Shell Size	MS Shell Size Code	B Thread Class 2a 0.1P-0.3L-TS (Plated)	L +.28 -.00	M +.15 -.13	GG Dia +.28 -.25	KK Dia +.03 -.13
9	A	.6250	20.47	3.18	19.05	17.07
11	B	.7500	20.47	3.18	21.44	19.84
13	C	.8750	20.47	3.18	24.61	23.01
15	D	1.0000	20.47	3.18	27.79	26.19
17	E	1.1875	20.47	3.18	30.94	29.36
19	F	1.2500	20.47	3.18	33.32	31.75
21	G	1.3750	20.47	3.18	36.53	34.93
23	H	1.5000	21.29	3.96	39.70	38.10
25	J	1.6250	21.29	3.96	42.88	41.28

All dimensions for reference only

# Cable Clamp



\* 10-595103-XXX

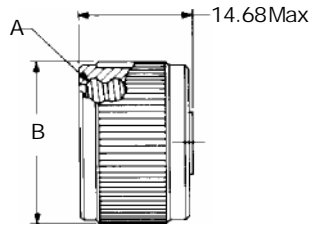
\* To complete order number, add shell size and suffix number.  
For example, shell size 11 with cadmium plate, nickel base, 10-595103-119.

Finish	10-No. Suffix
Chromate treat	-XX0
Anodic coating	-XX5
Cadmium plate nickel base	-XX7
Olive Drab, Cadmium, nickel base	-XX9
Electroless nickel	-XXG

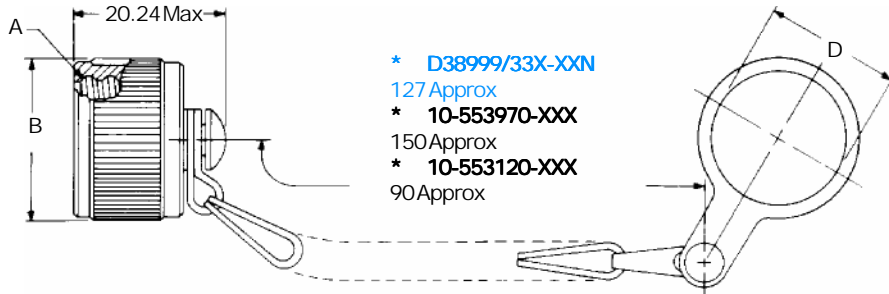
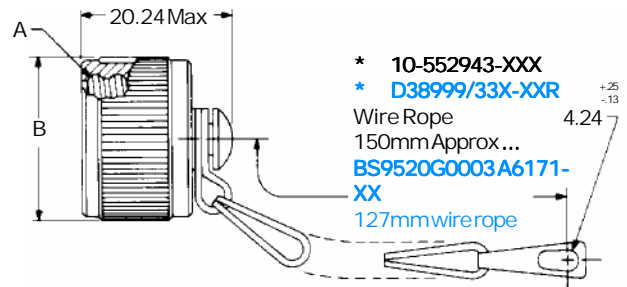
Shell Size	A Dia +.02 -.06	B Dia +.00 -.03	L Max	Y Thread	GG Max
9	3.17	6.35	23.42	M12X1-6H	19.68
11	4.77	7.92	23.42	M15X1-6H	20.09
13	7.92	11.12	23.42	M18X1-6H	24.46
15	9.52	14.27	29.76	M22X1-6H	27.60
17	12.70	15.89	29.76	M25X1-6H	29.31
19	15.87	19.05	29.76	M28X1-6H	35.54
21	15.87	19.05	29.76	M31X1-6H	35.54
23	19.03	23.82	32.94	M34X1-6H	40.31
25	20.32	25.54	32.94	M37X1-6H	42.69

All dimensions for reference only

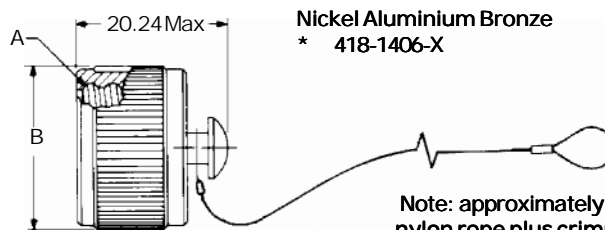
# Receptacle protection cap



\*10-55310-XXX



\* BSA6172-... 127mm wire rope



Note: approximately 450mm of nylon rope plus crimp ferrule is supplied with each 418-1406 cap

\*To complete order number, add shell size and suffix number.  
For example, shell size 11 with olive drab cadmium nickel base, 10-552943-119.

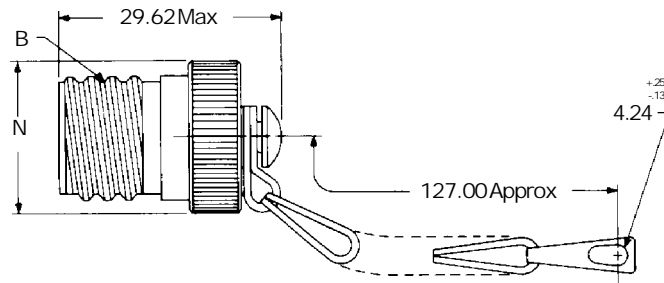
Plating Finish on Aluminium	10-No. Suffix	MIL Spec Suffix
Olive Drab, Cadmium, nickel base	-XX9	W
Electroless nickel	-XXG	F

Shell Size	MS Shell Size Code	A Thread Class 2a 0.1P-0.3L-TS	B Dia -.00	D Dia +.25 -.00
9	A	.6250	22.23	17.86
11	B	.7500	25.40	21.44
13	C	.8750	28.58	25.81
15	D	1.0000	31.75	28.98
17	E	1.1875	36.53	32.16
19	F	1.2500	38.10	35.33
21	G	1.3750	41.28	38.51
23	H	1.5000	44.45	41.68
25	J	1.6250	47.63	44.86

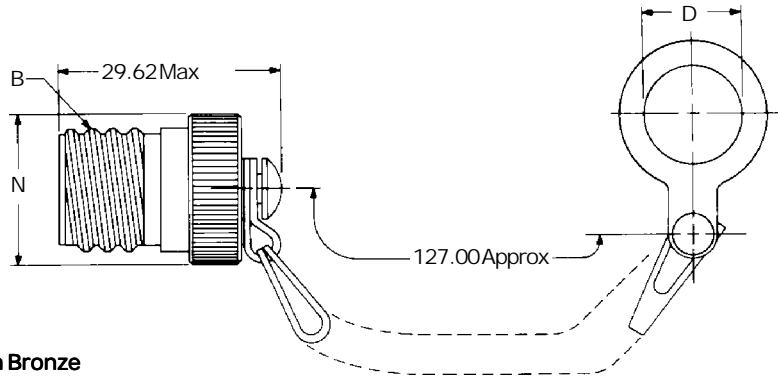
All dimensions for reference only

# Plug protection cap

- \* 10-552944-XXX
- \* BS9520G0003A6173-...
- \* D38999/32X-XXR

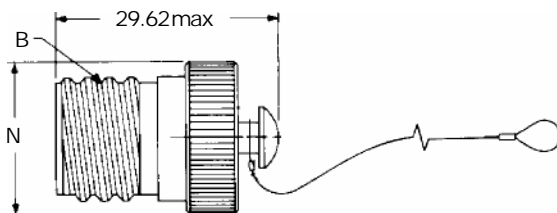


- \* 10-553998-XX
- \* D38999/32X-XXN



## Nickel Aluminium Bronze

- \* 418-1405-XX



Note: Approximately 450mm of Nylon rope, plus crimp ferrule is supplied with each 418-1405 cap.

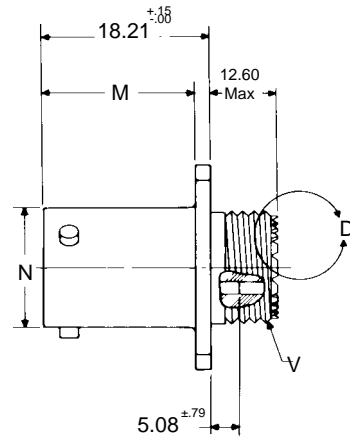
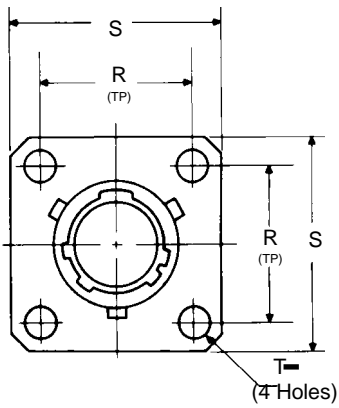
\* To complete order number, add shell size and suffix number.  
For example, shell size 11 with olive drab cadmium nickel base, 10-552944-119.

Plating Finish on Aluminium	10-No. Suffix	MIL Spec Suffix
Olive Drab, Cadmium, nickel base	-XX9	W
Electroless nickel	-XXG	F

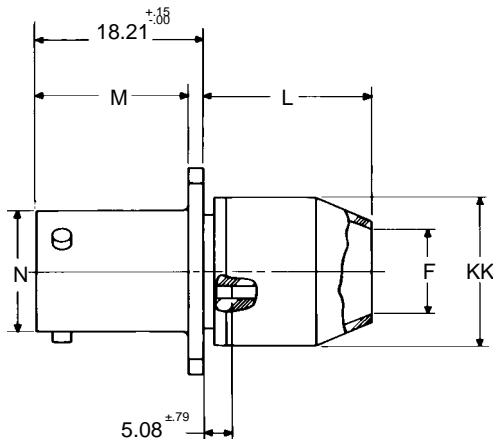
Shell Size	MS Shell Size Code	B Thread Class 2a 0.1P-0.3L-TS	D +.25 -0.00	N Dia Max
9	A	.6250	13.11	22.73
11	B	.7500	16.28	25.40
13	C	.8750	19.46	29.74
15	D	1.0000	22.63	32.99
17	E	1.1875	25.81	36.47
19	F	1.2500	28.98	39.19
21	G	1.3750	32.16	42.42
23	H	1.5000	34.11	45.39
25	J	1.6250	38.51	48.62

All dimensions for reference only

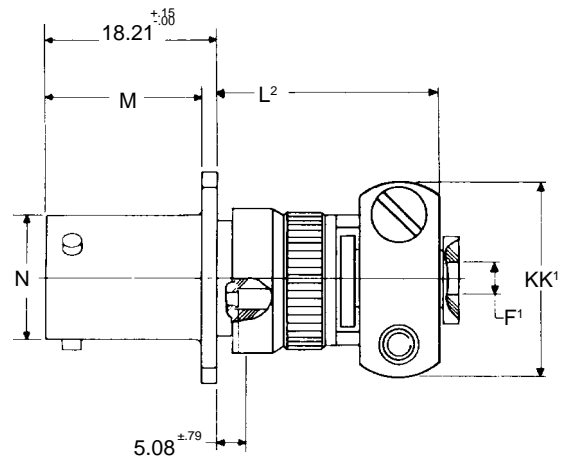
# Wall mounting receptacle



- \* LJT00RT-...
- \* MS27466T...
- \* BS-9520-G0001-C6160...

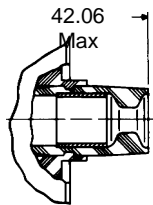


- \* LJT00RP-...
- \* MS27466P...

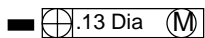


- \* LJT00RE-... (SR)

View D enlarged for coaxial use only



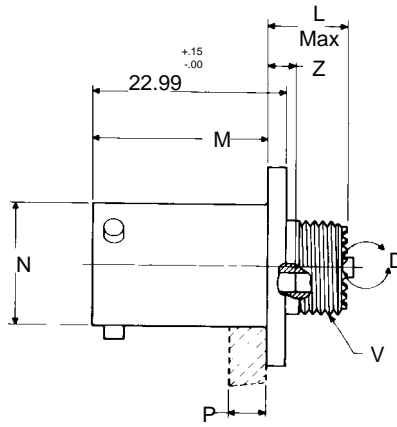
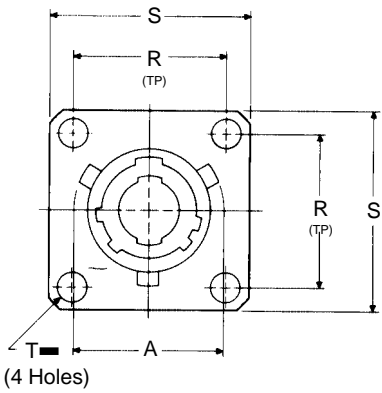
\* To complete order number, see "how to order" pages



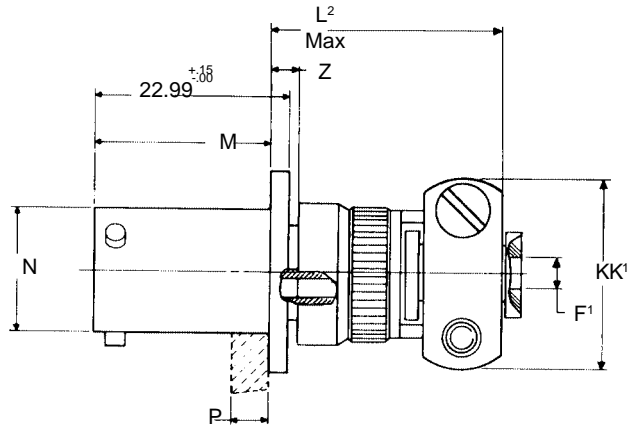
Shell Size	M +0.00 -0.13	V Thread Class 2A (Plated)	N +0.03 -0.13	S +0.41	R (TP)	T Dia +0.13	F Dia	KK Dia Max	L Max	KK <sup>1</sup> Max	F <sup>1</sup> Dia +0.25
9	16.05	.4375-28UNEF	14.53	23.83	18.26	3.25	8.31	15.44	20.65	20.62	3.18
11	16.05	.5625-24UNEF	17.78	26.19	20.62	3.25	11.28	18.64	20.65	22.23	4.78
13	16.05	.6875-24UNEF	21.59	28.58	23.01	3.25	14.17	21.74	20.65	25.40	7.92
15	16.05	.8125-20UNEF	24.77	30.96	24.61	3.25	17.35	24.99	20.65	28.58	9.53
17	16.05	.9375-20UNEF	27.94	33.32	26.97	3.25	20.52	28.19	20.65	30.18	12.70
19	16.05	1.0625-18UNEF	30.66	36.53	29.36	3.25	23.09	31.34	20.65	36.53	15.88
21	15.29	1.1875-18UNEF	33.83	39.67	31.75	3.25	26.26	34.54	23.01	36.53	15.88
23	15.29	1.3125-18UNEF	37.01	42.88	34.93	3.73	29.44	37.69	23.01	41.28	19.05
25	15.29	1.4375-18UNEF	40.18	46.02	38.10	3.73	40.89	40.89	23.01	43.66	20.32

All dimensions for reference only

# Wall mounting receptacle (back panel mounting)

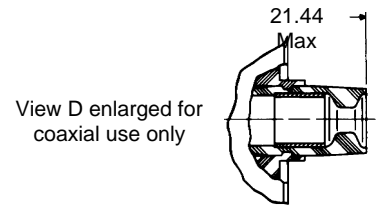
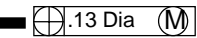


- \* BS-9520-G0001-C6163...
- \* LJTPQ00RT-...
- \* MS27656T...



- \* LJTPQ00RE-XX-XXX (SR)

\* To complete order number, see "how to order" pages



Shell Size	F Dia +.25	L Max	L <sup>1</sup> Max	M +.00 - .13	N Dia	P Max Panel Thickness	R (TP)	S +.28 - .25	T Dia +.13	V Thread UNEF Class 2A (Plated)	Z Max	KK Dia Max	A Dia +.00 - .41	KK <sup>1</sup> Max	F <sup>1</sup> Dia +.25 - .64
9	11.28	11.51	16.28	20.83	14.53	5.94	18.26	23.83	3.25	.4375-28	3.51	15.88	16.81	20.62	3.18
11	14.17	11.51	16.28	20.83	17.78	5.94	20.62	26.18	3.25	.5625-24	3.51	19.05	20.57	22.23	4.78
13	17.35	11.51	16.28	20.83	21.59	5.94	23.01	28.58	3.25	.6875-24	3.51	22.23	24.38	25.40	7.92
15	20.52	11.51	16.28	20.83	24.77	5.94	24.61	30.96	3.25	.8125-20	3.51	25.40	27.56	28.58	9.53
17	23.09	11.51	16.28	20.83	27.94	5.94	26.97	33.32	3.25	.9375-20	3.51	28.58	30.73	30.18	12.70
19	26.26	11.51	16.28	20.83	30.66	5.94	29.36	36.53	3.25	1.0625-18	3.51	31.05	33.45	36.53	15.88
21	29.44	12.29	17.07	20.07	33.83	5.18	31.75	39.67	3.25	1.1875-18	4.27	34.93	36.53	36.53	15.88
23	32.61	12.29	17.07	20.07	37.01	5.18	34.93	42.88	3.73	1.3125-18	4.27	38.10	39.30	41.28	19.05
25	35.79	12.29	17.07	20.07	40.18	5.18	38.10	46.02	3.73	1.4375-18	4.27	41.28	42.98	43.66	20.32

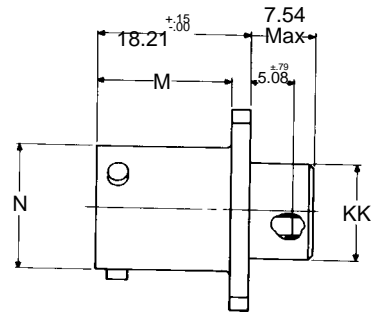
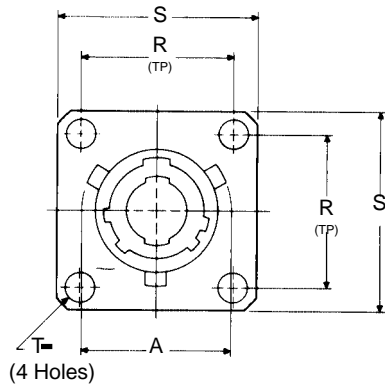
All dimensions for reference only



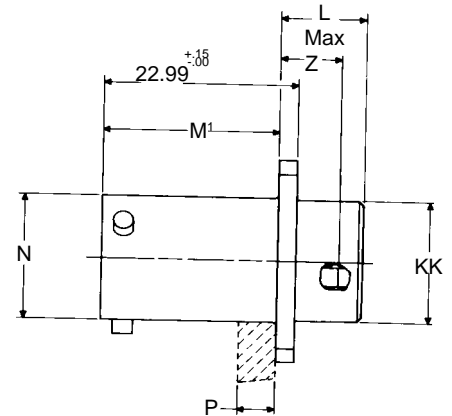
# Box mounting receptacle

## LJTP02R BS-C6164 MS27505

Box mounting receptacle (back panel mounting)

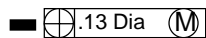


- \* LJTP02RE-...
- \* BS-9520-G0001-C6162...
- \* MS27496E...

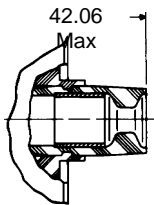


- \* LJTP02RE-...
- \* BS-9520-G0001-C6164...
- \* MS27505E...

\* To complete order number, see "how to order" pages



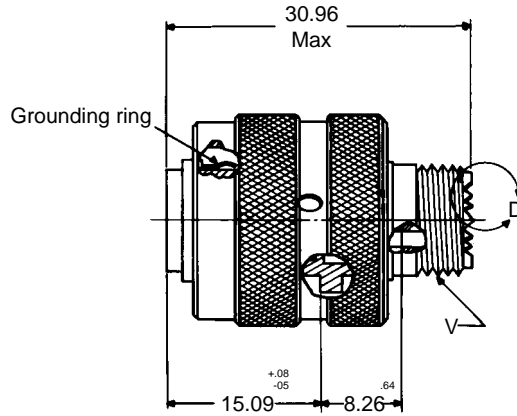
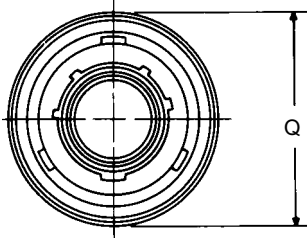
View D enlarged for coaxial use only



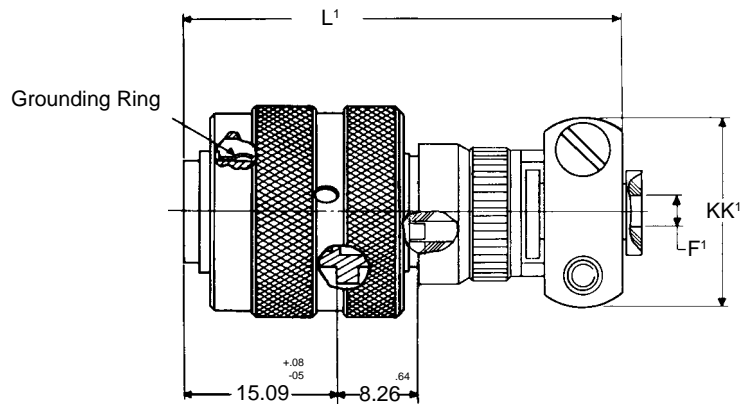
Shell Size	L Max	M +.00 - .13	M' +.00 - .13	N Dia +.03 - .13	P Max Panel Thickness	R (TP)	S +.28 - .25	T Dia ±.13	Z ±.79	KK Dia +.15 - .13	A Dia +.00 - .41
9	5.16	16.05	20.83	14.53	5.94	18.26	23.33	3.25	2.72	11.00	16.81
11	5.16	16.05	20.83	17.78	5.94	20.62	26.19	3.25	2.72	14.15	20.57
13	5.16	16.05	20.83	21.59	5.94	23.01	28.58	3.25	2.72	17.17	24.38
15	5.16	16.05	20.83	24.77	5.94	24.61	30.96	3.25	2.72	20.35	27.56
17	5.16	16.05	20.83	27.94	5.94	26.87	33.32	3.25	2.72	23.52	30.73
19	5.16	16.05	20.83	30.66	5.94	29.36	36.53	3.25	2.72	26.21	33.45
21	5.94	15.29	20.07	33.93	5.18	31.75	39.67	3.25	3.48	29.39	36.63
23	5.94	15.29	20.07	37.01	5.18	34.93	42.88	3.73	3.48	32.56	39.80
25	5.94	15.29	20.07	40.18	4.90	38.10	46.02	3.73	3.48	35.74	42.98

All Dimensions for reference only

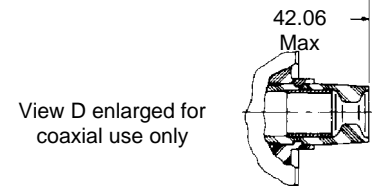
# Straight plug



- \* LJT06RE-XX-XXX
- \* MS27467E
- \* LJT06RT-XX-XXX
- \* MS27467T
- \* HE308-06T-XX-XXXX
- \* BS9520-G0001-C6165-XX-XXXX



- \* LJT06RE-XX-XXX (SR)

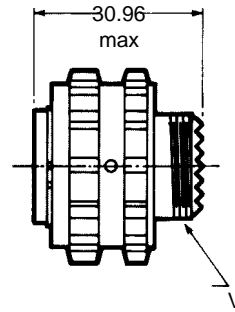
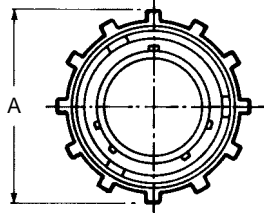


\* To complete order number, see "how to order" page

Shell Size	L Max	L <sup>1</sup> Max	V Thread Class 2a (Plated)	Q Max	F Dia	KK Dia Max	KK <sup>1</sup> max	F <sup>1</sup> Dia +.010 -0.025
9	38.89	48.00	.4375-28UNEF	21.44	8.31	15.44	20.62	3.18
11	38.89	48.00	.5625-24UNEF	24.61	11.28	18.64	22.23	4.78
13	38.89	48.00	.6875-24UNEF	28.98	14.17	21.79	25.40	7.92
15	38.89	54.35	.8125-20UNEF	32.16	17.35	24.99	28.58	9.53
17	38.89	54.35	.9375-20UNEF	35.33	20.52	28.19	30.18	12.70
19	38.89	54.35	1.0625-18UNEF	38.10	23.09	31.34	36.53	15.88
21	41.28	54.35	1.1875-18UNEF	41.28	26.26	34.54	36.53	15.88
23	41.28	57.54	1.3125-18UNEF	44.45	29.44	37.68	41.28	19.05
25	41.28	57.54	1.4375-18UNEF	47.63	32.61	40.89	43.66	20.32

All dimensions for reference only

# Straight Plug (with heavy duty coupling ring)

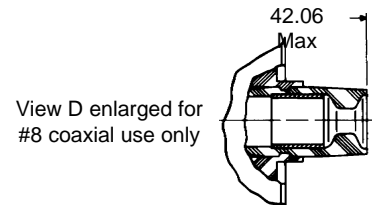


- \* LJT06RT-XX-XX (WXX)
- \* BS-9520-G0001-C6165-XXXXX

\* To complete order number, see "how to order" page

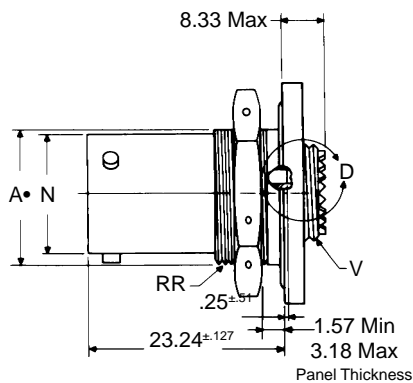
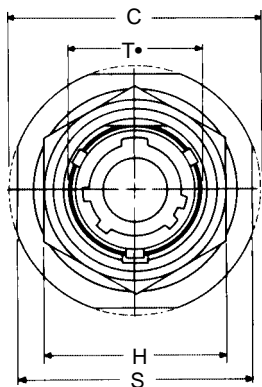
All other dimension are as per standard plug

Finish	Military Finish Data	Normal Finish Deviation	Heavy Duty Coupling Ring + Finish Deviation
Cadmium plated nickel base	A		W03
Olive drab cadmium plate nickel base	B	(014)	W09
Electroless nickel	F	(023)	W12

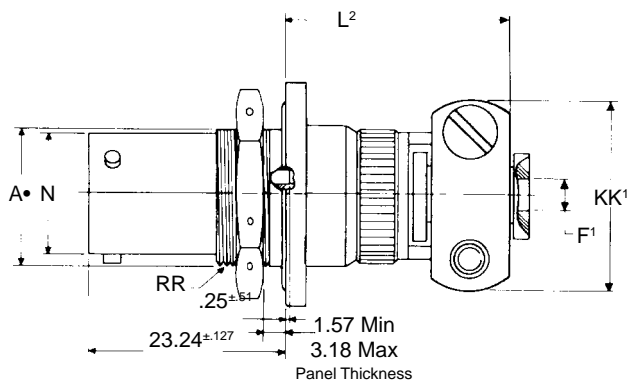


Shell Size	V Thread Class 2A (Plated)	A Max
9	.4375-28UNEF	24.87
11	.5625-24UNEF	29.01
13	.6875-24UNEF	32.18
15	.8125-20UNEF	35.58
17	.9375-20UNEF	38.23
19	1.0625-18UNEF	41.94
21	1.1875-18UNEF	45.11
23	1.3125-18UNEF	48.18
25	1.4375-18UNEF	49.73

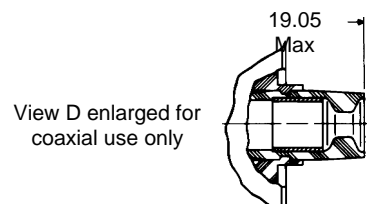
# Jam nut receptacle



- \* LJT07RT-...
- \* BS-9520-G0001-C6167...
- \* HE308-07T...
- \* MS 27468T...



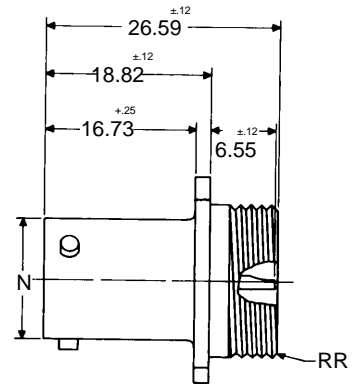
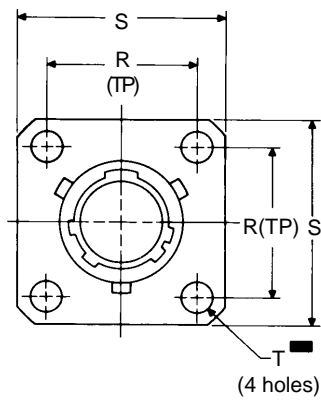
- \* LJT07RE-XX-XXX (SR)



- "D" shaped mounting hole dimensions
- \* To complete order number, see "how to order" page

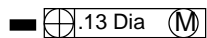
Shell Size	RR Thread Class 2A (Plated)	N +.03 -.13	A• +.00 -.25	T• +.25 -.00	C Max	H Hex +.43 -.41	S ±.41	V Thread Class 2A (Plated)	KK Dia Max	F Dia	L Max	KK <sup>1</sup> Max	F <sup>1</sup> Dia +.25 -.64
9	.6875-24UNEF	14.53	16.99	17.70	30.45	22.23	26.97	.4375-28UNEF	15.44	8.31	15.88	20.62	3.18
11	.8125-20UNEF	17.78	19.53	20.88	35.20	25.40	31.75	.5625-24UNEF	18.64	11.28	15.88	22.23	4.78
13	1.0000-20UNEF	21.59	24.26	25.38	33.38	30.18	34.93	.6875-24UNEF	21.79	14.17	15.88	25.40	7.92
15	1.1250-18UNEF	24.77	27.53	28.80	41.55	33.32	38.10	.8125-20UNEF	24.99	17.35	15.88	28.38	9.53
17	1.2500-18UNEF	27.94	30.68	31.93	44.73	36.53	41.28	.9375-20UNEF	28.19	20.52	15.88	30.18	12.70
19	1.3750-18UNEF	30.66	33.86	35.15	49.50	39.67	46.02	1.0625-18UNEF	31.34	23.09	15.88	36.53	15.88
21	1.5000-18UNEF	33.83	37.06	38.28	52.65	42.88	49.23	1.1875-18UNEF	34.54	26.26	19.05	36.53	15.88
23	1.6250-18UNEF	37.01	40.13	41.50	55.35	46.02	52.37	1.3125-18UNEF	37.69	29.44	19.05	41.28	19.05
25	1.7500-18UNS	40.18	43.41	44.68	59.00	50.30	55.58	1.4375-18UNEF	40.39	32.61	19.05	43.66	20.32

# Wall mounting receptacle



- \* LJT00H-XX-XXX
- \*\* LJT00Y-XX-XXX
- \*\* MS27469YXXDXXXX
- \*\*\* LJTS00Y-XX-XXX
- \*\*\* MS27469YXXEXXXX

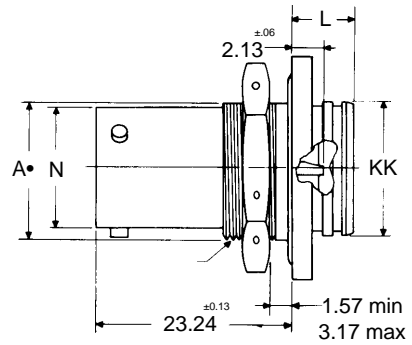
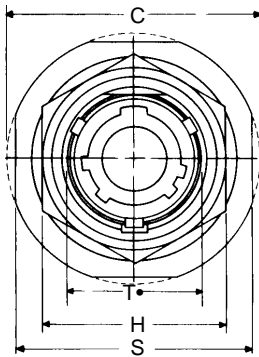
- \* To complete order number, see "how to order" page
- \*\* Interfacial seal wafer, to complete order number, see "how to order" page
- \*\*\* High temperature version, interfacial seal wafer with stainless steel shell, to complete order number see "how to order" page



Shell Size	N Dia +.02 -.12	R (TP)	S ±0.40	RR Thread Class 2A	T Dia ±0.12
9	14.52	18.26	23.82	.6875-24UNEF	3.25
11	17.78	20.62	26.18	.8125-20UNEF	3.25
13	21.59	23.01	28.57	.9375-20UNEF	3.25
15	24.76	24.61	30.96	1.0625-18UNEF	3.25
17	27.94	26.97	33.82	1.1875-18UNEF	3.25
19	30.65	29.36	36.52	1.3125-18UNEF	3.25
21	33.83	31.75	39.67	1.4375-18UNEF	3.25
23	37.00	34.92	42.87	1.5625-18UNEF	3.73
25	40.18	38.10	46.02	1.6875-18UNEF	3.78

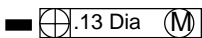
All dimensions for reference only

# Jam nut receptacle



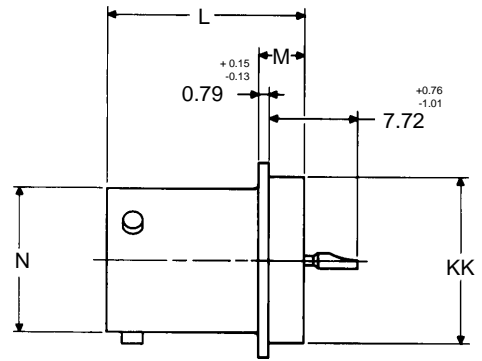
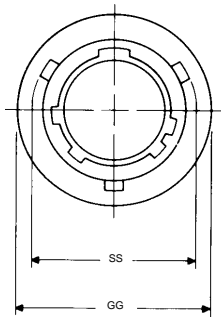
- \* LJT07H-XX-XXX
- \*\* LJT07Y-XX-XXX
- \*\* MS27470YXXDXXXX
- \*\*\* LJTS07Y-XX-XXX
- \*\*\* MS27470YXXEXXXX

- "D" shaped mounting hole dimensions
- \* To complete order number, see "how to order" page
- \*\* Interfacial seal wafer, to complete order number, see "how to order" page
- \*\*\* High temperature version, interfacial seal wafer with stainless steel shell, to complete order number see "how to order" page



Shell Size	L Max	KK +0.27 -0.00	RR Thread Class 2A (Plated)	N +.00 -.13	A• +.00 -.02	T• +.02 -.00	C Max	H Hex +0.43 -0.41	S ±0.41
9	7.54	16.30	.6875-24UNEF	14.52	16.55	17.70	30.45	22.22	26.97
11	7.54	19.45	.8125-20UNEF	17.78	19.57	20.87	35.20	25.40	31.75
13	7.54	22.65	1.0000-20UNEF	21.59	24.25	25.57	38.79	30.17	34.92
15	7.54	25.85	1.1250-18UNEF	24.76	27.53	28.80	41.55	33.32	38.10
17	7.54	29.01	1.2500-18UNEF	27.94	30.68	31.97	44.72	36.52	41.27
19	8.33	32.20	1.3750-18UNEF	30.65	33.85	35.15	49.50	39.67	46.02
21	8.33	35.35	1.5000-18UNEF	33.83	37.05	38.27	52.65	42.87	49.22
23	8.33	38.55	1.6250-18UNEF	37.01	40.13	41.50	55.85	46.02	52.37
25	8.32	41.70	1.7500-18UNS	40.18	43.40	44.67	25.40	50.80	55.57

# Solder mounting receptacle



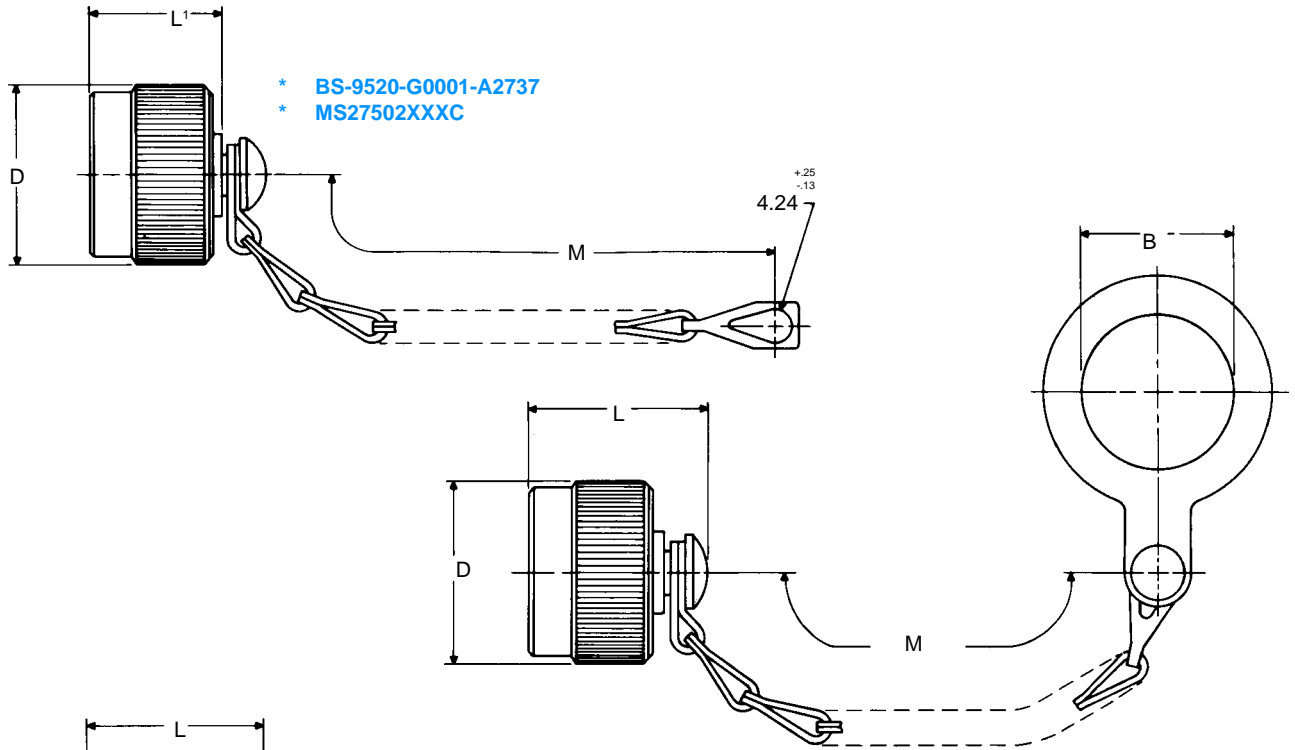
- \* LJT1H-...
- \*\* LJT1Y-...
- \*\* MS27470YXXD
- \*\*\* LJTS1Y-...
- \*\*\* MS27470YXXE

- \* To complete order number, see "how to order" page
- \*\* Interfacial seal wafer, to complete order number, see "how to order" page
- \*\*\* High temperature version, interfacial seal wafer with stainless steel shell, to complete order number see "how to order" page

Shell Size	N Dia +0.02 -0.13	SS Dia +0.00 0.40	L +0.28 -0.00	M +0.15 -0.13	GG Dia +0.28 -0.25	KK Dia +0.02 -0.13
9	14.53	16.81	20.04	3.17	19.05	17.07
11	14.78	20.57	20.04	3.17	21.36	19.84
13	21.59	24.38	20.04	3.17	24.61	25.01
15	24.76	28.16	20.04	3.17	24.79	26.19
17	27.94	30.73	20.04	3.17	30.94	29.36
19	30.66	33.45	20.04	3.17	33.32	31.75
21	33.83	36.63	20.04	3.17	36.52	34.92
23	37.01	39.80	20.85	3.96	39.70	38.10
25	40.18	42.97	20.85	3.96	42.87	41.27

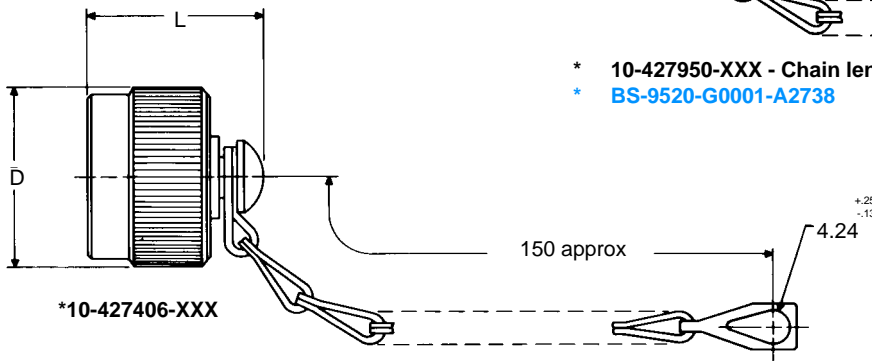
All dimensions for reference only

# Receptacle protection cap

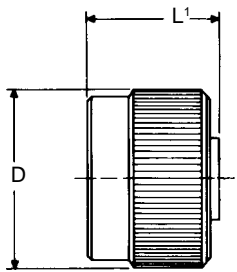


\* BS-9520-G0001-A2737  
\* MS27502XXXC

\* 10-427950-XXX - Chain length is 90mm approx  
\* BS-9520-G0001-A2738



\*10-427406-XXX



\* 10-275197-XXX  
\* MS27502

\* To complete order number, add shell size and suffix number. For example, shell size 11 with cadmium plate, nickel base, 10-427406-117, MS27502A11C

Nylon cord & insulated wire rope caps are available on request

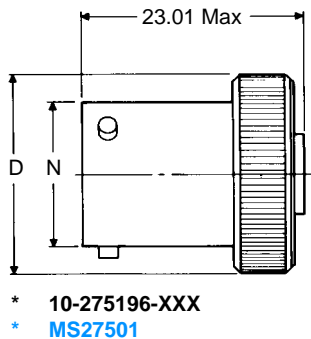
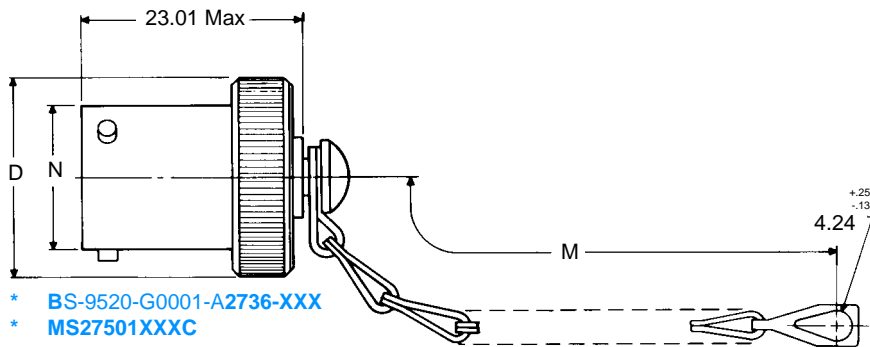
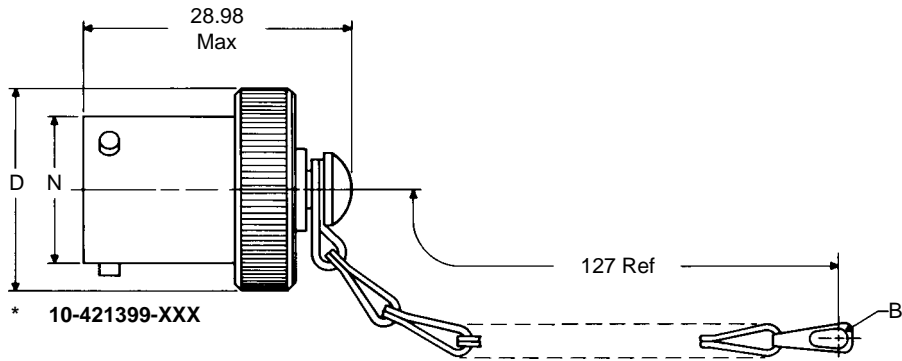
Shell Size	B Dia +.25 -.00	D Dia Max	L Max	L <sup>1</sup> Max	M ±6.00
9	17.86	21.44	27.18	21.44	76
11	21.44	24.61	27.18	21.44	76
13	25.81	28.58	27.18	21.44	89
15	28.98	31.75	27.18	21.44	89
17	32.16	35.71	27.18	21.44	89
19	35.53	38.10	27.18	21.44	89
21	38.51	41.28	27.18	21.44	102
23	41.68	44.45	27.18	21.44	102
25	44.86	47.63	27.66	22.23	102

Finish	10-No. Suffix	MS No. Suffix With Chain	MS No. Suffix Without Chain
Chromate treat	-XX0		
Anodic coating	-XX5	CXXC	
Cadmium plate nickel base	-XX7	AXXC	AXX
Olive Drab, Cadmium, nickel base	-XX9	BXXC	BXX
Electroless nickel	-XXG	FXXC	FXX

All dimensions for reference only



# Plug protection cap



Nylon cord & wire rope caps are available on request

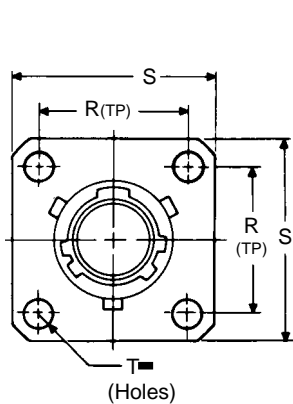
\* To complete order number, add shell size and suffix number.

For example, shell size 11 with cadmium plate, nickel base, 10-421399-117, MS27501A11C or MS20048A11

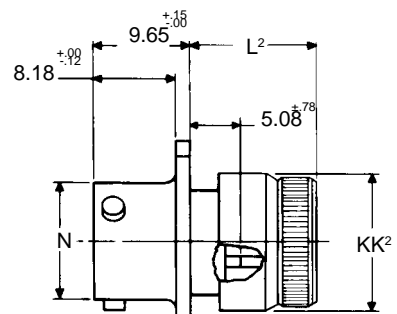
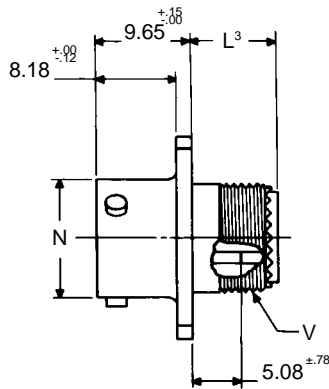
Shell Size	B Dia Ref.	D Dia Max.	M ±6.35	N Dia +.03 -0.13
9	4.57	20.62	76.00	14.53
11	4.57	23.83	76.00	17.78
13	4.57	26.97	89.00	21.59
15	4.57	30.18	89.00	24.77
17	4.57	33.32	89.00	27.94
19	5.31	36.53	89.00	30.66
21	5.31	39.67	102.00	33.83
23	5.31	42.88	102.00	37.01
25	5.31	46.02	102.00	40.18

Finish	10-No. Suffix	MS No. Suffix With Chain	MS No. Suffix Without Chain
Chromate treat	-XX0		
Anodic coating	-XX5	CXXC	
Cadmium plate nickel base	-XX7	AXXC	AXX
Olive Drab, Cadmium, nickel base	-XX9	BXXC	BXX
Electroless nickel	-XXG	FXXC	FXX

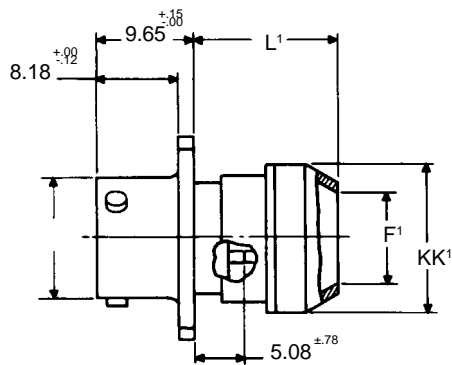
# Wall mounting receptacle



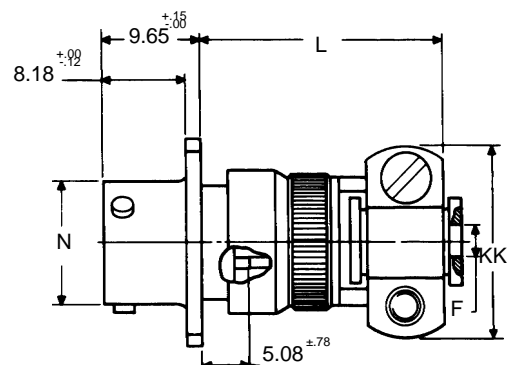
- \* JT00RT-XX-XXX
- \*\* JTS00RT-XX-XXX
- \*\*\* JTN00RT-XX-XXX
- \* C2022
- \* MS27472T



- \* JT00RE-XX-XXX
- \* MS27472E
- \*\* JTS00RE-XX-XXX
- \*\* MS27479E
- \*\*\* JTN00RE-XX-XXX

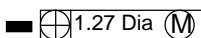


- \* JT00RP-XX-XXX
- \*\* JTS00RP-XX-XXX
- \*\*\* JTN00RP-XX-XXX
- \* MS27472P
- \* MS27479P



- \* JT00RE-XX-XXX (SR)
- \*\* JTS00RE-XX-XXX (SR)
- \*\*\* JTN00RE-XX-XXX (SR)

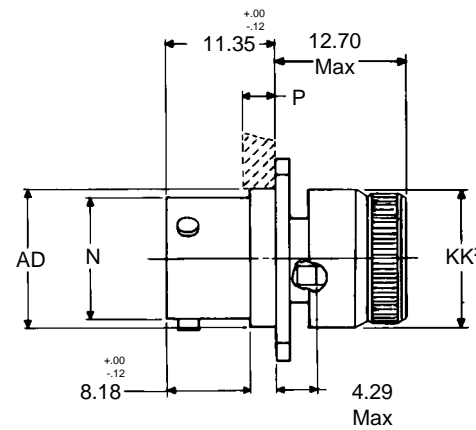
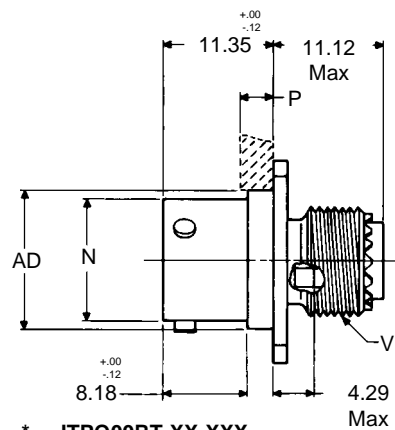
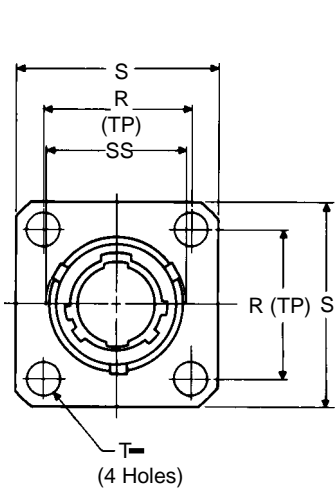
\* To complete order number, see "How to order" pages  
 \*\* High temperature version.  
 \*\*\* Clear iridite finish (gold colour), N<sub>2</sub>O<sub>4</sub> resistant



Shell Size	KK Max	KK <sup>1</sup> Dia Max	KK <sup>2</sup> Dia Max	F Dia +.25 - .63	F <sup>1</sup> Dia	L Max	L <sup>1</sup> Max	L <sup>2</sup> Max	L <sup>3</sup> Max	R (TP)	S ±.41	T ±.13	N +.02 - .13	V Thread UNEF Class 2A
8	20.62	15.89	14.68	3.18	11.28	27.79	15.47	13.89	12.70	15.09	20.62	3.05	12.01	.4375-28
10	22.23	19.05	17.86	4.78	14.17	27.79	15.47	13.89	12.70	18.26	23.83	3.05	14.99	.5625-24
12	25.40	22.23	21.03	7.92	17.35	27.79	15.47	13.89	12.70	20.62	26.89	3.05	19.05	.6875-24
14	28.58	25.40	24.81	9.53	20.52	34.14	15.47	13.89	12.70	23.01	28.58	3.05	22.23	.8125-20
16	30.18	28.58	27.38	12.70	23.09	34.14	15.47	13.89	12.70	24.61	30.96	3.05	25.40	.9375-20
18	36.53	31.75	30.56	15.88	26.26	34.14	15.47	13.89	12.70	26.97	33.32	3.05	28.58	1.0625-18
20	36.53	34.93	33.73	15.88	29.44	34.14	15.47	13.89	12.70	29.36	36.53	3.05	31.75	1.1875-18
22	41.28	38.60	36.91	19.05	32.61	37.31	15.47	13.89	12.70	31.75	39.67	3.05	34.73	1.3125-18
24	43.66	41.28	40.08	20.32	35.79	37.31	17.48	13.89	12.70	34.93	42.88	3.05	38.10	1.4375-18

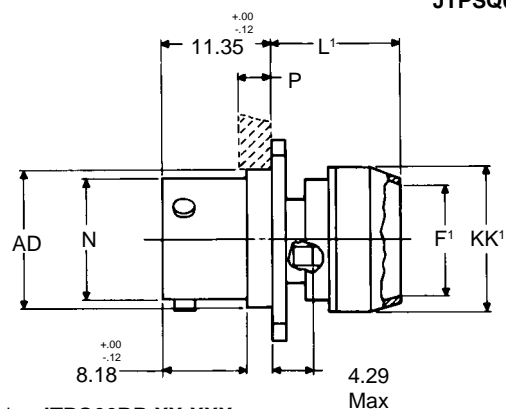
All dimensions for reference only

# Wall mounting (back panel mounting)

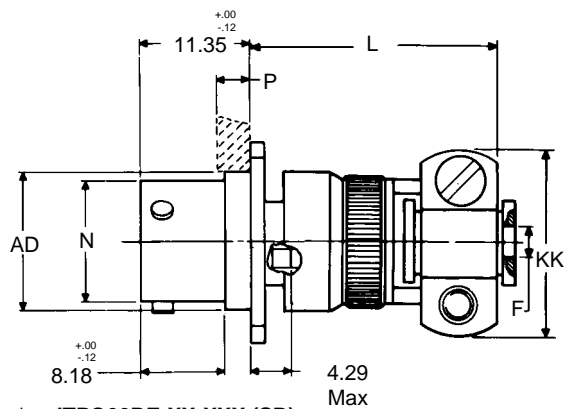


- \* JTPQ00RT-XX-XXX
- \* BS-9520-G0002-C2023-XXX
- \* MS27497T-XX-XXX
- \* HE309 03T-XXXX
- \* PAN6432-1B-XX-XXX
- \*\* JTPSQ00RT-XX-XXX

- \* JTPQ00RE-XX-XXX

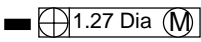


- \* JTPQ00RP-XX-XXX
- \* MS27597P



- \* JTPQ00RE-XX-XXX (SR)

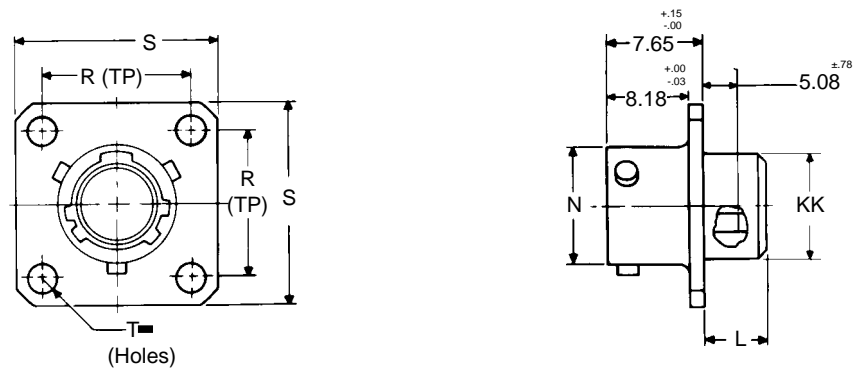
\* To complete order number see "How to order" pages  
 \*\* High temperature version, to complete order number see "How to order" pages



Shell Size	F Dia +.25 -.64	F <sup>1</sup> Dia ±.25	L Max	L <sup>1</sup> Max	N Dia +.03 -.13	P Max Panel Thickness	R (TP)	S ±.41	T Dia ±.13	V Thread UNEF Class 2a (Plated)	AD Dia ±.13	KK Max	KK <sup>1</sup> Dia Max	KK <sup>2</sup> Dia Max	SS Dia +.00 -.41
8	3.18	11.28	28.96	11.89	12.01	3.61	15.09	20.62	3.05	.4375-28	13.11	19.84	15.88	14.68	14.30
10	4.78	14.17	28.96	11.89	14.98	3.61	18.26	23.83	3.05	.5625-24	16.08	21.44	19.05	17.86	17.27
12	7.92	17.35	28.96	11.89	19.05	3.61	20.62	26.19	3.05	.6875-24	20.37	24.61	22.23	21.03	21.82
14	9.53	20.52	34.93	11.89	22.23	3.61	23.01	28.58	3.05	.8125-20	23.55	27.79	25.40	24.21	24.99
16	12.70	23.09	34.93	11.89	25.40	3.61	24.61	30.96	3.05	.9375-20	26.72	29.31	28.58	27.38	28.14
18	15.88	26.26	34.93	11.89	28.58	3.61	26.97	33.32	3.05	1.0625-18	29.90	35.71	31.75	30.56	31.32
20	15.88	29.44	34.93	11.89	31.75	3.61	29.36	36.53	3.05	1.1875-18	33.07	35.71	34.93	33.73	34.49
22	19.05	32.61	38.51	11.89	34.93	3.61	31.75	39.67	3.05	1.3125-18	36.25	40.49	38.10	36.91	37.67
24	20.32	35.79	38.10	13.72	38.10	3.61	34.93	42.88	3.73	1.4375-18	39.42	42.88	41.28	40.08	40.89

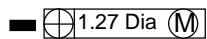
All dimensions for reference only

# Box mounting receptacle



- \* JT02RE-...
- \* BS-9520-G0002-C2251-...
- \* MS27499E-...
- \*\* JTS02RE-...
- \*\*\* JTN02RE-...

- \* To complete order number, see "How to order" pages
- \*\* High temperature version
- \*\*\* Clear iridite finish (gold colour), N<sub>2</sub>O<sub>4</sub> resistant

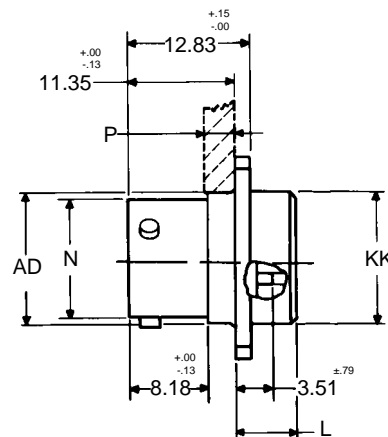
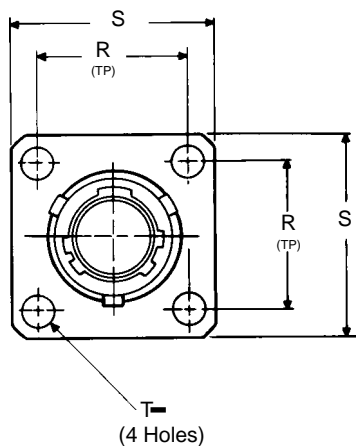


Shell Size	L Max	KK Max	S ±.41	R (TP)	T ±.13	N +.03 -.13
8	7.26	11.13	20.62	15.09	3.05	12.01
10	7.26	14.30	23.83	18.26	3.05	14.99
12	7.26	17.48	26.19	20.62	3.05	19.05
14	7.26	20.65	28.58	23.01	3.05	22.23
16	7.26	23.83	30.96	24.61	3.05	25.40
18	7.26	26.59	33.32	26.97	3.05	28.58
20	7.26	29.77	36.53	29.36	3.05	31.75
22	7.26	32.94	39.67	31.75	3.05	34.93
24	7.26	36.11	42.88	34.93	3.73	38.10

All dimensions for reference only

Note: For applications requiring an environmental seal, please refer to JT00R

# Box mounting receptacle (back panel mounting)



- \* JTP02RE-XX-XXX
- \* BS-9520-G0002-C2253-...
- \* MS27508E-...
- \* PAN 6433-1E-...
- \*\* JTPN02RE-XX-XX
- \*\*\* JTPS02RE-XX-XXX

- \* To complete order number, see "How to order" pages
- \*\* High temperature version.
- \*\*\* Clear iridite finish (gold colour),  $N_2O_4$  resistant

■  $\text{Ø}1.27 \text{ Dia } (M)$

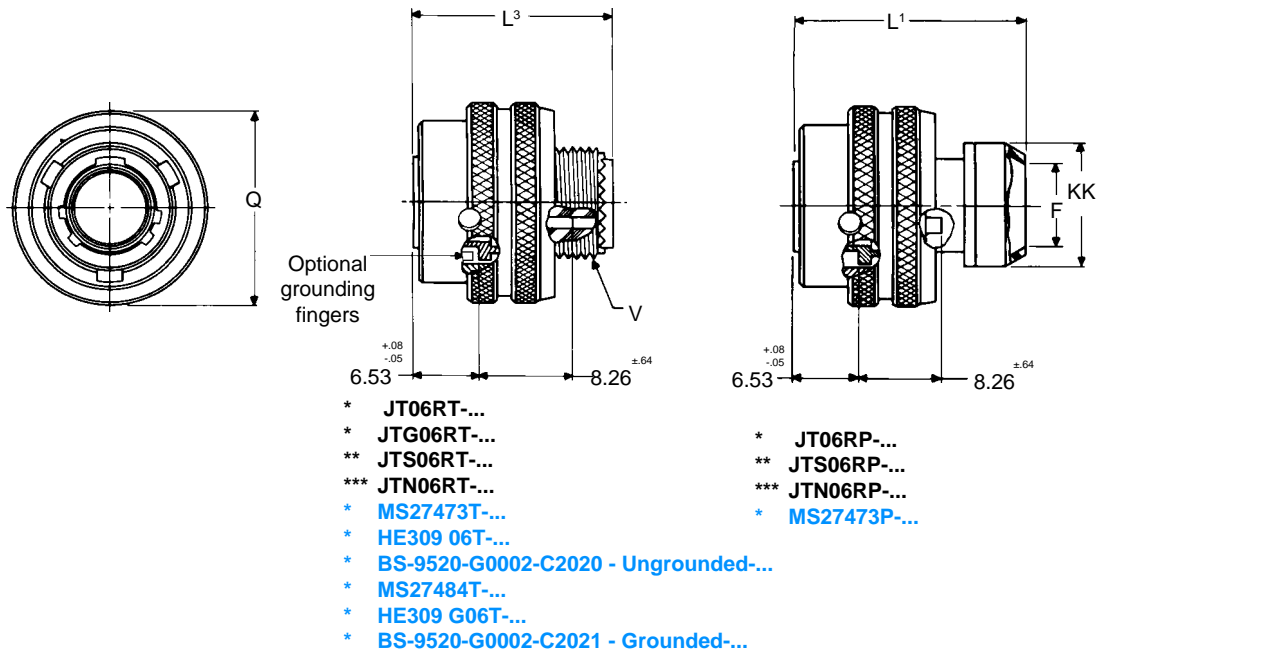
Shell Size	N Dia +0.03 -0.13	R (TP)	S ±.41	L Max	AD Dia ±.13	T Dia ±.13	P Max Panel Thickness	KK Max
8	12.01	15.09	20.62	5.72	13.11	3.05	3.73	13.49
10	15.00	18.26	23.83	5.72	16.08	3.05	3.86	16.66
12	19.05	20.62	26.19	5.72	20.37	3.05	3.86	21.03
14	22.23	23.01	28.58	5.72	23.55	3.05	3.86	24.21
16	25.40	24.61	30.96	5.72	26.72	3.05	3.86	27.89
18	28.58	26.97	33.32	5.72	29.90	3.05	3.86	30.56
20	31.75	29.36	36.53	5.72	33.07	3.05	4.55	33.73
22	34.93	31.75	39.67	5.72	36.25	3.05	4.55	36.91
24	38.10	34.93	42.88	5.72	39.42	3.73	4.29	40.08

All dimensions for reference only

# Ungrounded

## JTG06R BS-C2021 MS27484 HE309 G06T PAN 6433-IFG

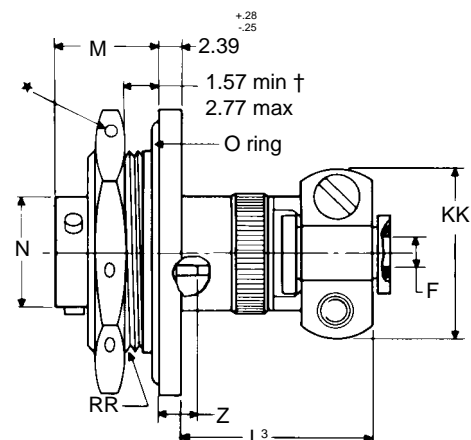
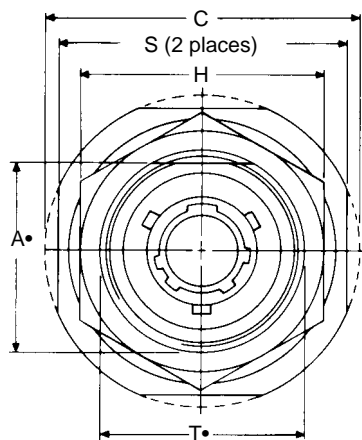
### Grounded straight plug



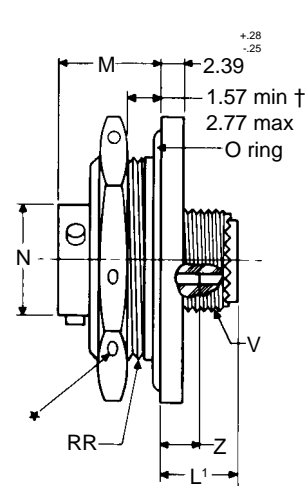
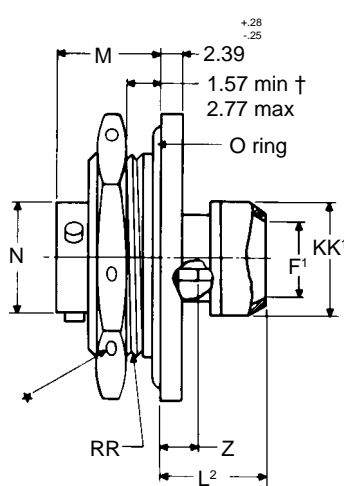
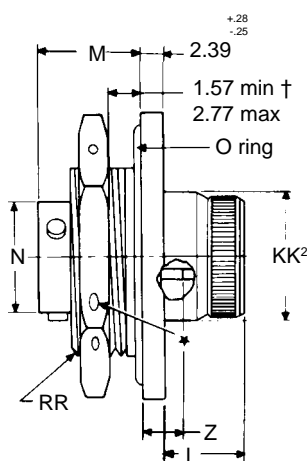
\* To complete order number, see "How to order" pages  
 \*\* High temperature version. To complete order number, see "How to order" pages  
 \*\*\* Clear iridite finish (gold colour), N<sub>2</sub>O<sub>4</sub> resistant. To complete order number, see "How to order" pages

Shell Size	KK Dia Max	KK <sup>1</sup> Max	KK <sup>2</sup> Max	F Dia	F <sup>1</sup> Dia +.25 -.64	L Max	L <sup>1</sup> Max	L <sup>2</sup> Max	L <sup>3</sup> Max	Q Dia Max	V Thread Modified	
											Class 2a	Modified Major Dia
8	15.88	20.62	14.68	11.28	3.18	39.67	25.40	23.83	22.63	18.64	.4375-28UNEF	.421- .417
10	19.05	22.23	17.86	14.17	4.78	39.67	25.40	23.83	22.63	21.44	.5625-24UNEF	.542- .538
12	22.23	25.40	21.03	17.35	7.92	39.67	25.40	23.83	22.63	25.81	.6875-24UNEF	.667- .663
14	25.40	28.58	24.21	20.52	9.53	46.02	25.40	23.83	22.63	28.98	.8125-20UNEF	.791- .787
16	28.58	30.18	27.38	23.09	12.70	46.02	25.40	23.83	22.63	32.13	.9375-20UNEF	.916- .912
18	31.75	36.53	30.56	26.26	15.88	46.02	25.40	23.83	22.63	35.33	1.0625-18UNEF	1.034 - 1.030
20	34.93	36.53	33.73	29.44	15.88	46.02	25.40	23.83	22.63	38.10	1.1875-18UNEF	1.158- 1.154
22	38.10	41.28	36.91	32.61	19.05	49.23	25.40	23.83	22.63	41.28	1.3125-18UNEF	1.283- 1.279
24	41.28	43.66	40.08	35.79	20.32	49.23	26.97	23.83	22.63	44.45	1.4375-18UNEF	1.408- 1.404

# Jam nut receptacle



- \* JT07RE-...(SR)
- \*\* JTS07RE-...(SR)
- \*\*\* JTN07RE-...(SR)



- \* JT07RE-...
- \* [MS27474E-...](#)
- \*\* JTS07RE-...
- \*\*\* JTN07RE-...

- \* JT07RP-...
- \* [MS27474P-...](#)
- \*\* JTS07RP-...
- \*\*\* JTN07RP-...

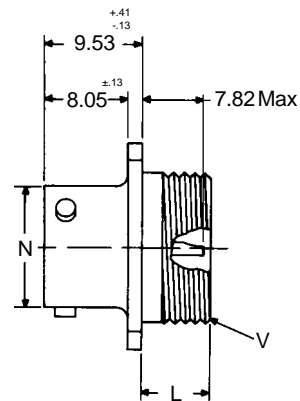
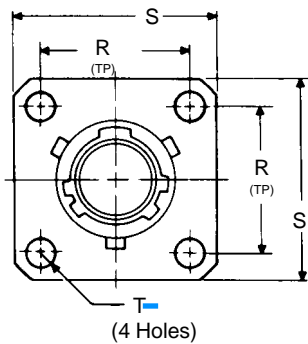
- \* JT07RT-...
- \* [MS27474T-...](#)
- \*\* JTS07RT-...
- \*\*\* JTN07RT-...
- \*\*\* [BS-9522-G0002-C2024-...](#)
- \*\*\* [HE309-07T-...](#)
- \*\*\* [PAN6433-1A-...](#)

- ★ 1.50 dia min. 3 locking wire holes
- "D" shaped mounting hole dimensions
- \* To complete order number see "How to order" pages
- \*\* High temperature version
- \*\*\* Clear iridite finish (gold colour), N<sub>2</sub>O<sub>4</sub> resistant
- † Panel thickness

Shell Size	A* +.00 -.25	KK Max	KK¹ Dia Max	KK² Dia Max	L Max	L¹ Max	L² Max	L³ Max	F Dia +.25 -.64	F¹ Dia	M ±.13	H Hex +.43 -.41	S ±.41	Z ±.79	RR Thread (Plated) Class 2a	V Thread UNEF Class 2a	C Max	T• +.25 -.00	N +.03 -.13
8	21.08	20.62	15.88	14.68	12.29	11.51	14.30	26.59	3.18	11.28	11.13	26.97	31.75	3.66	.8750-20UNEF	.4375-28	35.31	22.45	12.01
10	24.26	22.23	19.05	17.86	12.29	11.51	14.30	26.59	4.78	14.17	11.13	30.18	34.93	3.66	1.0000-20UNEF	.5625-24	38.48	25.58	14.99
12	27.53	25.40	22.23	21.03	12.29	11.51	14.30	26.59	7.92	17.35	11.13	33.32	38.10	3.66	1.1250-18UNEF	.6875-24	41.66	28.80	19.05
14	30.68	28.58	25.40	24.21	12.29	11.51	14.30	32.94	9.53	20.52	11.13	36.53	41.28	3.66	1.2500-18UNEF	.8125-20	44.83	31.98	22.23
16	33.86	30.18	28.58	27.38	12.29	11.51	14.30	32.94	12.70	23.09	11.13	39.67	45.24	3.66	1.3750-18UNEF	.9375-20	49.61	35.15	25.40
18	37.06	36.53	31.75	30.56	12.29	11.51	14.30	32.94	15.88	26.26	11.13	42.88	48.01	3.66	1.5000-18UNEF	1.0625-18	51.59	38.28	28.58
20	40.03	36.53	34.93	33.73	11.51	10.72	13.49	32.16	15.88	29.44	11.79	46.02	51.21	4.78	1.6250-18UNEF	1.1875-18	54.76	41.50	31.75
22	43.21	41.28	38.10	36.91	11.51	10.72	13.49	35.33	19.05	32.61	11.79	50.80	54.36	4.78	1.7500-18UNS	1.3125-18	57.91	44.68	34.93
24	46.38	43.66	41.28	40.08	9.53	10.72	13.47	35.33	20.32	35.79	11.79	53.98	57.53	4.78	1.8750-16UN	1.4375-18	61.09	47.85	38.10

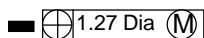
All dimensions for reference only

# Hermetic wall mounting receptacle



- \* JT00H-...
- \*\* JT00Y-...
- \*\* MS27475Y..D...
- \*\*\* JTS00Y-XX-XXX
- \*\* MS27482Y..E...

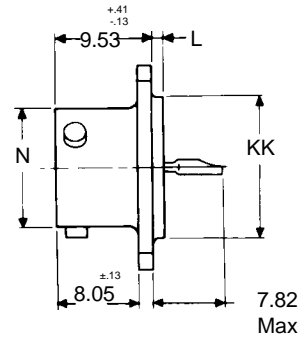
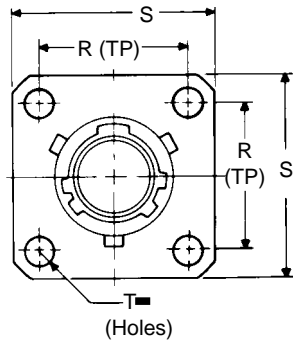
- \* To complete order number, see "How to order" pages
- \*\* Interfacial water seal.
- \*\*\* High temperature version, interfacial water seal with stainless shell.



Shell Size	N +.03 -.13	S ±.41	R (TP)	T ±.13	V Thread Size Class 2a	L Max
8	12.01	20.62	15.09	3.05	.5625-24UNEF	5.94
10	14.99	23.83	18.26	3.05	.6875-24UNEF	5.94
12	19.05	26.19	20.62	3.05	.8125-20UNEF	5.94
14	22.23	28.58	23.01	3.05	.9375-20UNEF	5.94
16	25.40	30.96	24.61	3.05	1.0625-18UNEF	5.94
18	28.58	33.32	26.97	3.05	1.1875-18UNEF	5.94
20	31.75	36.53	29.35	3.05	1.3125-18UNEF	5.94
22	34.93	39.67	31.75	3.05	1.4375-18UNEF	5.94
24	38.10	42.88	34.93	3.73	1.5625-18UNEF	7.95

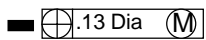


# Hermetic box mounting receptacle



- \* JT02H-...
- \*\* JT02Y-...
- \*\* MS27476Y..D...
- \*\*\* JTS02Y-...
- \*\*\* MS27476Y..E...

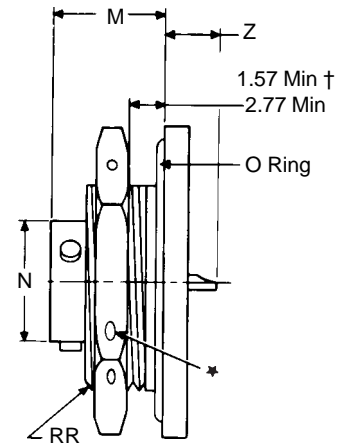
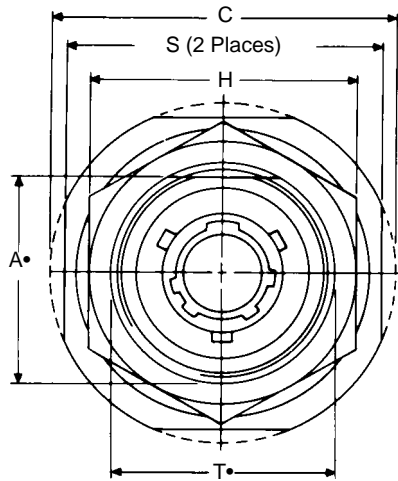
- \* To complete order number, see "How to order" pages
- \*\* Interfacial water seal
- \*\*\* High temperature version. interfacial water seal with stainless steel shell



Shell Size	L +.15 -.38	KK +.03 -.13	S ±.41	R (TP)	T ±.13	N +.03 -.13
8	1.30	14.27	20.62	15.09	3.05	12.01
10	1.30	17.07	23.83	18.26	3.05	14.99
12	1.30	19.84	26.19	20.62	3.05	19.05
14	1.30	23.01	28.58	23.01	3.05	22.23
16	1.30	26.19	30.96	24.61	3.05	25.40
18	1.30	29.36	33.32	26.97	3.05	28.58
20	1.30	31.75	36.53	29.36	3.05	31.75
22	2.03	34.93	39.67	31.75	3.05	34.93
24	2.03	38.10	42.88	34.93	3.73	38.10

All dimensions for reference only

# Hermetic jam nut receptacle



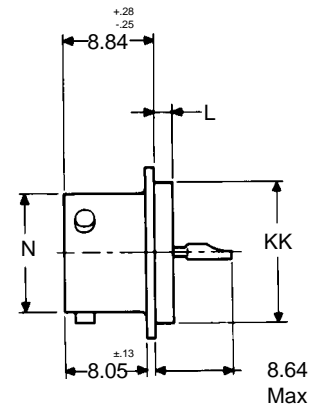
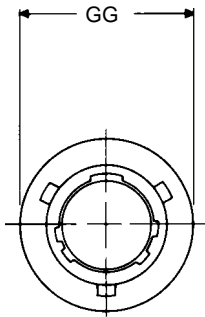
- \* JT07H-...
- \*\*\* JT07Y-...
- MS27477Y..D...
- \*\*\*\* JTS07Y-...
- MS27483Y..E...

- \* .15 dia. min .3 lockwire holes
- "D" shaped mounting hole dimensions
- \* To complete order number, see "How to order" pages
- \*\* Interfacial seal water
- \*\*\* High temperature version, interfacial seal water with stainless steel shell
- † Panel thickness

Shell Size	M ±.13	Z Max	RR Thread Class 2a	N +.03 -.13	C Max	S ±.41	H +.43 -.41	T• +.25 -.00	A• +.00 -.25
8	11.13	6.20	.8750-20UNEF	12.01	35.31	31.75	26.97	22.45	21.08
10	11.13	6.20	1.0000-20UNEF	14.99	38.48	34.93	30.18	25.58	24.26
12	11.13	6.20	1.1250-18UNEF	19.05	41.66	38.10	33.32	28.80	27.53
14	11.13	6.20	1.2500-18UNEF	22.23	44.83	41.28	36.53	31.98	30.68
16	11.13	6.20	1.3750-18UNEF	25.40	49.61	45.24	39.67	35.15	33.86
18	11.13	6.20	1.5000-18UNEF	28.58	51.59	48.01	42.88	38.28	37.06
20	11.79	5.54	1.6250-18UNEF	31.75	54.76	51.21	46.02	41.50	40.03
22	11.79	5.54	1.7500-18UNS	34.93	57.91	54.36	50.80	44.68	43.21
24	11.79	5.54	1.8750-16UN	38.10	61.09	57.53	53.98	47.85	46.38

All dimensions for reference only

# Hermetic solder mounting receptacle



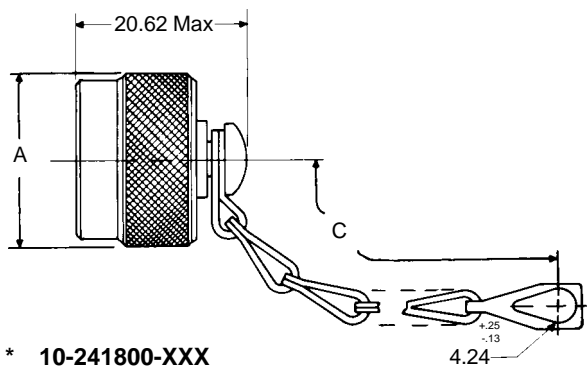
- \* JTIH-...
- \*\* JTIY-...  
MS27478Y..D...
- \*\*\* JTSIY-...  
MS27503Y..E...

- \* To complete order number, see "How to order" pages
- \*\* Interfacial water seal
- \*\*\* High temperature version. interfacial water seal with stainless steel shell

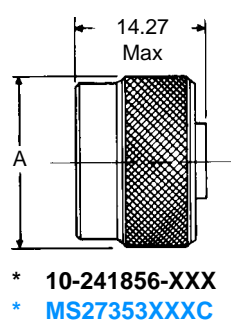
Shell Size	L +.28 -.25	KK +.03 -.13	GG +.28 -.25	N +.03 -.13
8	1.98	14.27	17.45	12.01
10	1.98	17.07	20.24	14.99
12	1.98	19.84	23.01	19.05
14	1.98	23.01	26.19	22.22
16	1.98	26.19	29.36	25.40
18	1.98	29.36	32.54	28.58
20	1.98	31.75	34.93	31.75
22	2.72	34.93	38.10	34.93
24	2.72	38.10	41.28	38.10

All dimensions for reference only

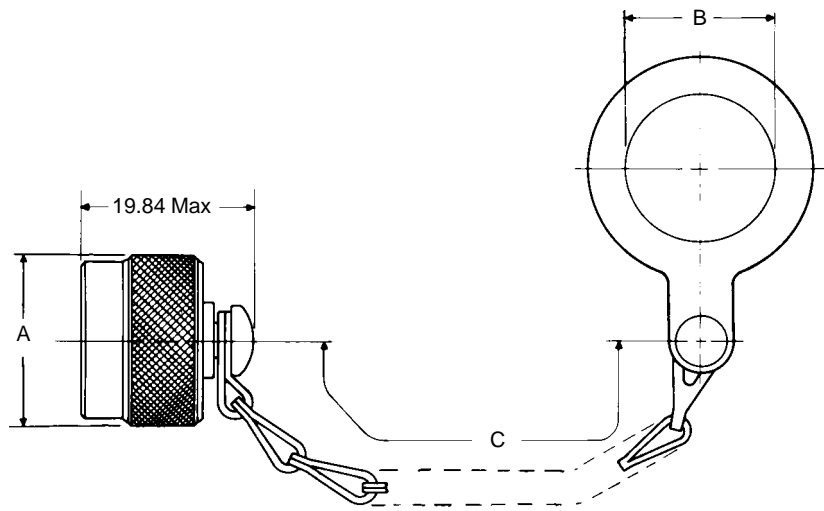
# Receptacle protection cap



- \* 10-241800-XXX
- \* MS27511XXXC
- \* PAN 6433-IMB



- \* 10-241856-XXX
- \* MS27353XXXC



- \* 10-241802-XXX
- \* PAN 6433-IMA

For MS stamping identification, accessories must be ordered by MS part number. If ordered by 10-part number, they will be stamped with said number.

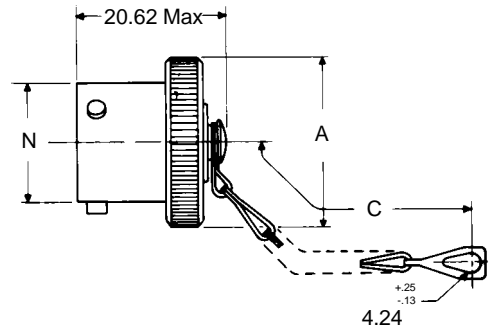
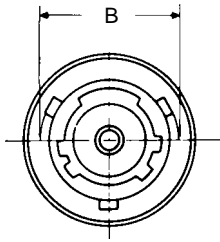
\* To complete order number, add shell size and suffix number.  
 For example, shell size 10 with cadmium plate, nickel base, 10-241800-107, MS27511A10C or MS27353A10.

Shell Size	A Dia Max	B +.25 - .00	C Approx
8	18.26	22.63	76.00
10	21.44	25.81	76.00
12	25.40	28.98	89.00
14	28.58	32.16	89.00
16	31.75	35.33	89.00
18	34.93	38.51	89.00
20	38.10	41.68	102.00
22	41.28	44.86	102.00
24	44.45	48.03	102.00

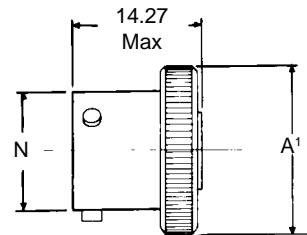
Finish	10-No. Suffix	MS No. Suffix With Chain	MS No. Suffix Without Chain
Chromate treat	-XX0		
Anodic coating	-XX5	CXXC	
Cadmium plate nickel base	-XX7	AXXC	AXX
Olive Drab, Cadmium, nickel base	-XX9	BXXC	BXX
Electroless nickel	-XXG	FXXC	FXX

All dimensions for reference only

# Plug protection cap



- \* 10-241801-XXX
- \* MS27501XXXX
- \* PAN 6433-IMF



For MS stamping identification, accessories must be ordered by MS part number. If ordered by 10-part number, they will be stamped with said number.

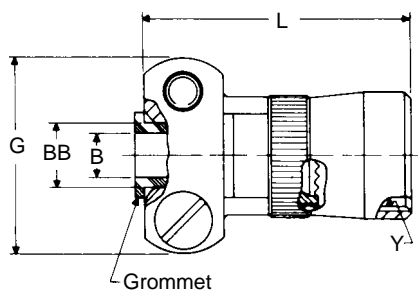
\* To complete order number, add shell size and suffix number.  
 For example, shell size 10 with cadmium plate, nickel base, 10-241801-107, MS27510A10C or MS27352A10.

Shell Size	A Dia Max	A' Dia Max	B +.00 - .41	C Approx	N N <sub>ia</sub> +.03 - .13
8	18.26	17.86	14.30	76.00	12.01
10	21.44	21.03	17.27	76.00	14.99
12	25.40	24.99	21.82	89.00	19.05
14	28.58	28.17	24.99	89.00	22.23
16	31.75	31.34	28.14	89.00	25.40
18	34.93	34.52	31.32	89.00	28.58
20	38.10	37.69	34.49	102.00	31.75
22	41.23	40.87	37.67	102.00	34.93
24	44.45	44.04	40.89	102.00	38.10

Finish	10-No. Suffix	MS No. Suffix With Chain	MS No. Suffix Without Chain
Chromate treat	-XX0		
Anodic coating	-XX5	CXXC	CXX
Cadmium plate nickel base	-XX7	AXXC	AXX
Olive Drab, Cadmium, nickel base	-XX9	BXXC	BXX
Electroless nickel	-XXG	FXXC	FXX

All dimensions for reference only

# Cable Clamp



- \* 10-405982-...
- \* MS27506...-2 or M85049/49...
- \* HE309-11-...

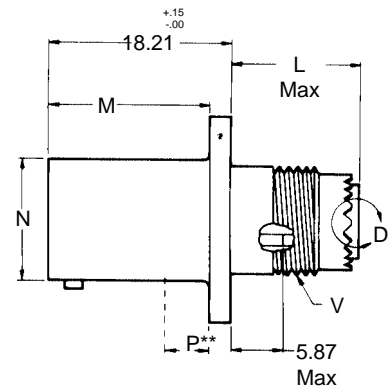
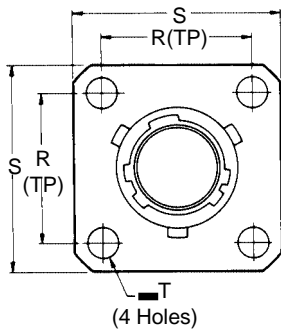
\* To complete order number, add shell size and suffix number.  
 For example, shell size 10 with cadmium plate, nickel base, 10-405982-107, or M85049/49-2-10W.

Finish	10-No. Suffix	MS27506 Suffix	M85049/49 Suffix
Chromate treat	-XX0		NA
Anodic coating	-XX5	CXX-2	NA
Cadmium plate nickel base	-XX7	AXX-2	NA
Olive Drab, Cadmium, nickel base	-XX9	BXX-2	(-2-XXW)
Electroless nickel	-XXG	FXX-2	NA

Shell Size	G Max	L Max	Y Thread (Modified)		BB Dia +.00 -.28	Screw Size	B Dia +.25 -.64
			Size Class 2B	Modified Minor Dia			
8/9	19.69	24.99	.4375-28UNEF	.399-.405	6.35	6-32UNC	3.18
10/11	21.26	24.99	.5625-24UNEF	.524-.529	7.92	6-32UNC	4.78
12/13	24.46	24.99	.6875-24UNEF	.649-.654	11.13	6-32UNC	7.92
14/15	27.61	31.34	.8125-20UNEF	.766-.771	14.27	6-32UNC	9.53
16/17	29.21	31.34	.9375-20UNEF	.891-.896	15.88	6-32UNC	12.70
18/19	35.56	31.34	1.0625-18UNEF	1.002-1.007	19.05	8-32UNC	15.88
20/21	35.56	31.34	1.1875-18UNEF	1.135-1.140	19.05	8-32UNC	15.88
22/23	40.31	34.52	1.3125-18UNEF	1.252-1.257	23.83	8-32UNC	19.05
24/25	42.70	34.52	1.4375-18UNEF	1.377-1382	25.40	8-32UNC	20.32

All dimensions for reference only

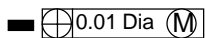
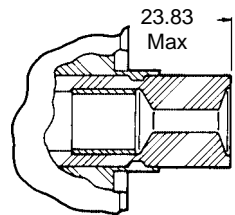
# wall mounting receptacle



- \* **SJT00RT-...**
- \* **JN1003-B...**
- \* **PAN6433-2B...**
- \* **VG96912-A...**

\* To complete order number, see "how to order" page  
 \*\* Standard wall mount may be back panel mounted where panel thickness does not exceed these dimensions. For thicker panel applications, SJTP00RT should be used

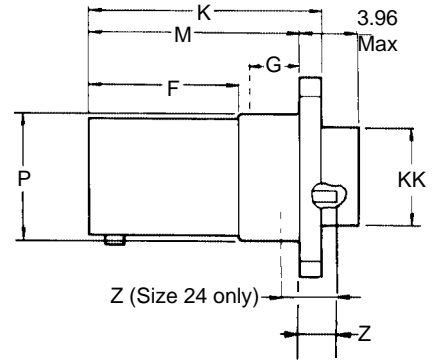
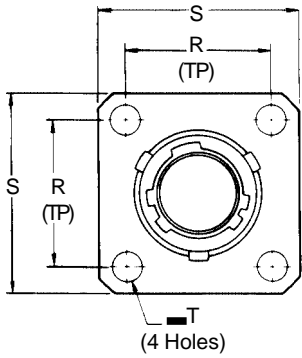
View D enlarged for size 8 coaxial use only



Shell Size	L Max	M +.00 -.01	R (TP)	S ±.04	T ±.01	VThread Modified		N +.00 -.01	P** Max
						Class 2A UNEF (Plated)	Modified Major Dia		
8	12.70	16.05	15.09	20.62	3.05	.4375-28	.421-.417	12.61	2.92
10	12.70	16.05	18.26	23.82	3.05	.5625-24	.542-.538	14.99	2.92
12	12.70	16.05	20.62	26.19	3.05	.6875-24	.667-.663	19.65	2.92
14	12.70	16.05	23.01	28.57	3.05	.8125-20	.791-.787	22.22	2.92
16	12.70	16.05	24.61	30.96	3.05	.9375-20	.916-.912	25.40	2.92
18	12.70	16.05	26.97	33.32	3.05	1.0625-18	1.034-1.030	28.57	2.92
20	12.70	15.29	29.36	36.52	3.05	1.1875-18	1.158-1.154	31.75	2.21
22	12.70	15.29	31.75	39.67	3.05	1.3125-18	1.283-1.279	34.92	2.21
24	13.97	15.29	34.92	42.87	3.73	1.4375-18	1.408-1.404	38.10	1.39

All dimensions for reference only

# Box receptacle (back panel mounting)



\* SJTP02RE-...

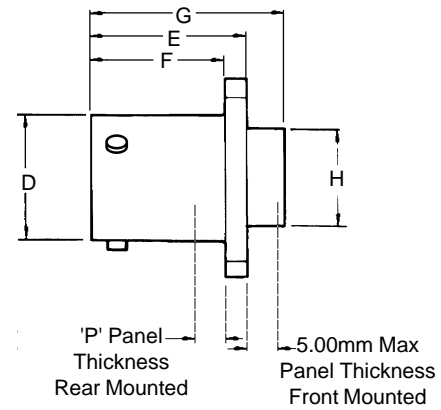
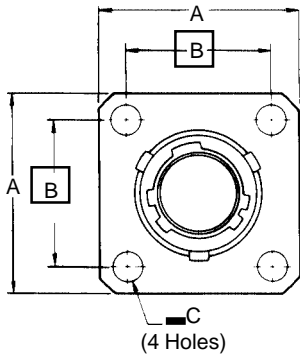
\* To complete order number, see "how to order" page

0.01 Dia (M)

Shell Size	F +0.00 -0.01	K +0.01 -0.00	M +0.00 -0.01	R (TP)	S +0.03 -0.02	T ±0.01	Z ±0.08	P Dia +0.00 -0.01	KK Dia +0.01 -0.00	G Max
8	15.47	24.00	21.84	15.09	20.62	3.05	1.57	13.11	10.59	8.76
10	15.47	24.00	21.84	18.26	23.82	3.05	1.57	16.08	13.66	8.76
12	15.47	24.00	21.84	20.62	26.18	3.05	1.57	20.37	16.84	8.76
14	15.47	24.00	21.84	23.01	28.57	3.05	1.57	23.54	19.99	8.76
16	15.47	24.00	21.84	24.61	30.96	3.05	1.57	26.72	23.16	8.76
18	15.47	24.00	21.84	26.97	33.32	3.05	1.57	29.89	26.16	8.76
20	15.47	24.00	21.84	29.36	36.52	3.05	1.57	33.07	29.31	8.76
22	15.47	24.00	21.84	31.75	39.67	3.05	1.57	36.24	32.49	8.76
24	19.05	27.56	25.40	34.92	42.87	3.73	1.98	39.42	35.66	11.48

All dimensions for reference only





\* JN1003H ...

\* To complete order number, see "how to order" page

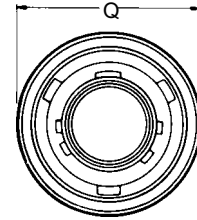
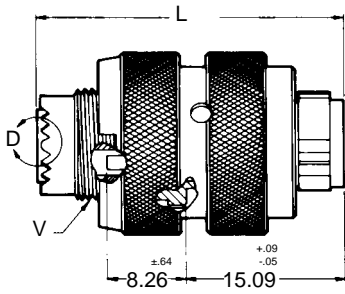
⊕ 0.01 Dia (M)

Shell Size	A ±0.40	<span style="border: 1px solid black; padding: 2px;">B</span> ±0.13	C +0.10	D +0.00 -0.13	E +0.15 -0.00	F +0.00 -0.13	G Max	H Max	P Max
8	20.62	15.10	3.20	12.00	18.21	16.05	27.65	11.91	3.00
10	23.83	18.30	3.20	15.00	18.21	16.05	27.65	15.09	3.00
12	26.19	20.60	3.20	19.05	18.21	16.05	27.65	18.26	3.00
14	28.57	23.00	3.20	22.22	18.21	16.05	27.65	21.44	3.00
16	30.96	24.60	3.20	25.40	18.21	16.05	27.65	24.61	3.00
18	33.32	27.00	3.20	28.57	18.21	16.05	27.65	27.38	3.00
20	36.53	29.40	3.20	31.75	18.21	15.29	27.65	30.56	3.00
22	39.67	31.80	3.20	34.92	18.21	15.29	27.65	33.73	3.00
24	42.90	34.90	3.70	38.10	18.21	15.29	28.72	36.91	2.26

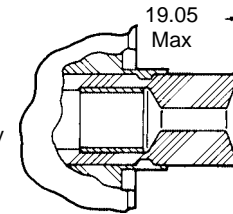
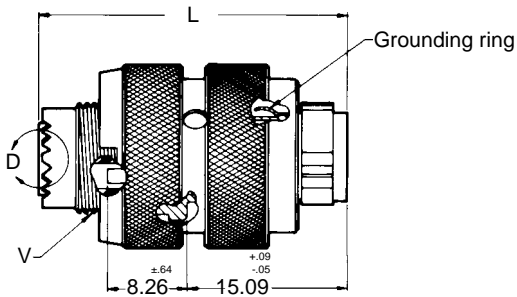
All dimensions for reference only

Designates true position dimensioning

PAN 6433-2F, PAN 6433-2FG VG96912-D, VG96912-E  
 Straight plug / Straight plug (with grounding fingers)



- \* SJT06RT-
- \* PAN6433-2F...
- \* VG96912-E...



View D enlarged for size 8 coaxial use only

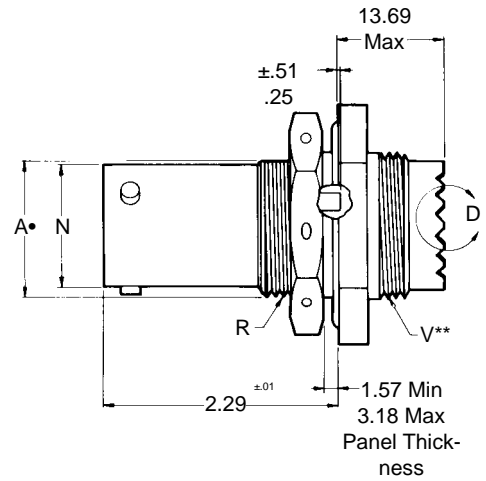
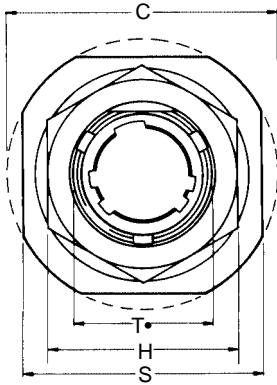
- \* SJTG06RT-
- \* PAN6433-2FG...
- \* VG96912-D...
- \* JN1003FG...

\* To complete order number, see "how to order" page

Shell size	L Max	Q Dia Max	V Thread	
			Class 2a UNEF (Plated)	Modified Major Dia.
8	30.96	18.64	.4375-28	10.69 - 10.59
10	30.96	21.44	.5625-24	13.77- 13.67
12	30.96	25.81	.6875-24	16.94 - 16.84
14	30.96	28.98	.8125-20	20.09 - 19.99
16	30.96	32.13	.9375-20	22.27 - 23.16
18	30.96	35.33	1.0625-18	26.26 - 26.16
20	30.96	38.10	1.1875-18	29.41 - 29.31
22	30.96	41.28	1.3125-18	32.59 - 32.49
24	31.95	44.45	1.4375-18	35.76 - 35.66

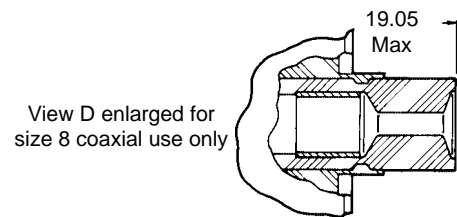
All dimensions for reference only

# Jam nut receptacle



- \* SJT07RT...
- \* PAN 6433-2A...
- \* VG96912-B...
- \* JN 1003A

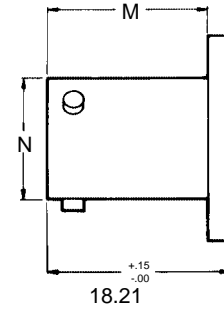
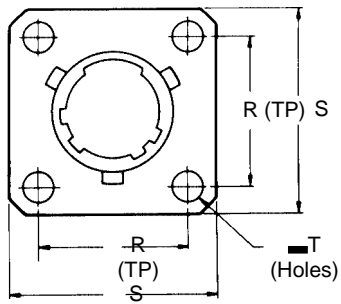
- "D" shaped panel cut-out dimensions
- \* To complete order number, see "how to order" page
- \*\* Oversize threads. Check accessory threads before ordering



Shell Size	A• +.00 -.25	H Hex +.43 -.41	S ±.41	V Thread Class 2a UNEF (Plated)	R Thread Class 2a UNEF (Plated)	N +.02 -.05	C Max	T• +.25 -.00
8	13.77	19.05	23.82	.5625-24	.5625-24	18.01	27.38	14.52
10	16.92	22.22	26.97	.6875-24	.6875-24	14.99	30.56	17.70
12	21.08	26.97	31.75	.8125-20	.8750-20	19.05	35.33	22.45
14	24.26	30.17	34.92	.9375-20	1.0000-20	22.22	38.48	25.58
16	27.53	33.32	38.10	1.0625-18	1.1250-18	25.40	41.68	28.80
18	30.68	36.52	41.27	1.1875-18	1.2500-18	28.57	44.86	31.98
20	33.86	39.67	46.02	1.3125-18	1.3750-18	31.75	49.61	35.15
22	37.06	42.87	49.22	1.4375-18	1.5000-18	34.92	52.78	38.28
24	46.13	46.62	52.37	1.4375-18	1.6250-18	38.10	55.96	41.50

All dimensions for reference only

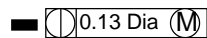
# Dummy receptacle



- \* 10-476807-XXX
- \* JN1003R-XX

\* To complete order number, add shell size and suffix number.  
 For example, shell size 10 with bright cadmium plated nickel base, 10-476807-107.

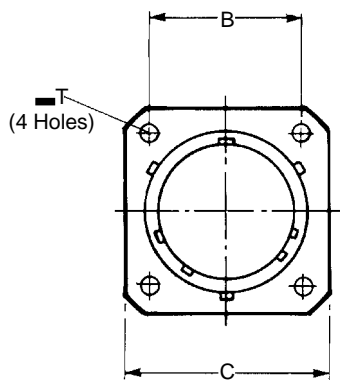
Finish	Suffix
Chromate treat	-XX0
Anodic coating	-XX5
Cadmium plate nickel base	-XX7
Olive Drab, Cadmium, nickel base	-XX9
Electroless nickel	-XXG



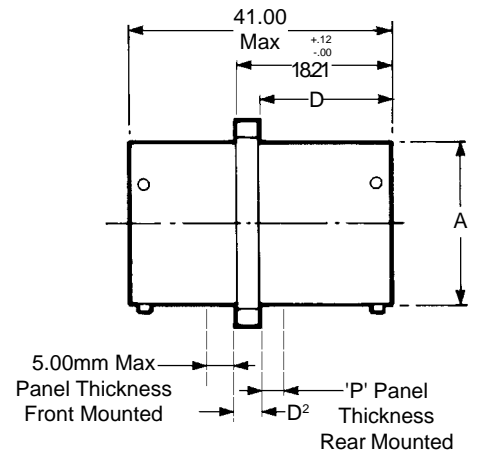
Shell Size	M +.00 -.13	N +.00 -.01	R (TP)	S +.03 -.02	T ±.01
8	16.05	12.01	15.09	20.62	3.05
10	16.05	14.99	18.26	23.82	3.05
12	16.05	19.05	20.62	26.18	3.05
14	16.05	22.22	23.01	28.57	3.05
16	16.05	25.40	24.61	30.96	3.05
18	16.05	28.57	26.97	33.32	3.05
20	15.29	31.75	29.36	36.52	3.05
22	15.29	34.92	31.75	39.67	3.05
24	15.29	38.10	34.92	42.87	3.73

All dimensions for reference only

# Through Bulkhead



SJTB ...  
JN1003J ...

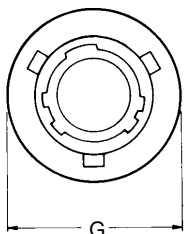


Complete part number by adding size and platform  
ie: SJTB24-35PS(014)

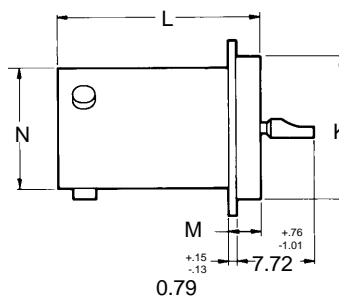
⊕0.01 Dia (M)

Shell Size	A +0.00 -0.13	B ±0.13	C ±0.40	D +0.00 -0.13	D <sup>2</sup> +0.10 -0	P Max
8	12.00	15.10	20.62	16.05	3.20	3.00
10	15.00	18.30	23.83	16.05	3.20	3.00
12	19.05	20.60	26.19	16.05	3.20	3.00
14	22.22	23.00	28.57	16.05	3.20	3.00
16	25.40	24.60	30.96	16.05	3.20	3.00
18	28.57	27.00	33.32	16.05	3.20	3.00
20	31.75	29.40	36.53	15.29	3.20	3.00
22	34.92	31.80	39.67	15.29	3.20	3.00
24	38.10	34.90	42.90	15.29	3.70	2.26

# Solder mounting receptacle



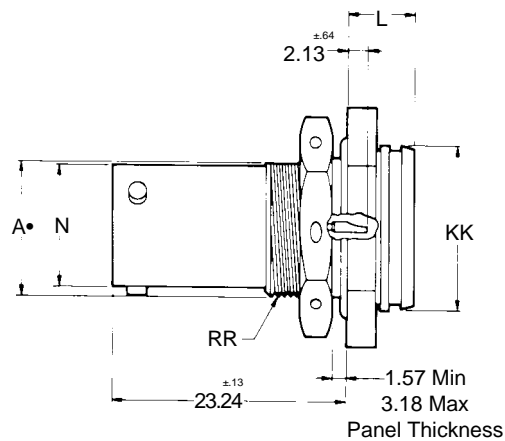
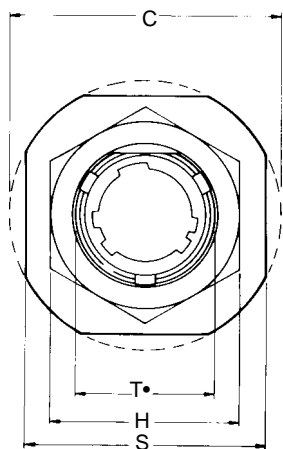
\* SJT1Y- ...



\* To complete order number, see "how to order" pages

Shell Size	L +0.28 -0.00	M +0.15 -0.13	G Dia +0.28 -0.25	K Dia +0.02 -0.13	N +0.02 -0.13
8	20.04	3.17	17.44	14.27	12.01
10	20.04	3.17	20.24	17.07	14.38
12	20.04	3.17	23.01	19.83	19.05
14	20.04	3.17	26.18	23.01	22.22
16	20.04	3.17	29.36	26.18	25.40
18	20.04	3.17	32.53	29.36	28.57
20	20.04	3.17	34.92	31.75	31.75
22	20.86	3.96	38.10	34.92	34.92
24	20.85	3.96	41.27	38.10	38.10

# Jam nut receptacle

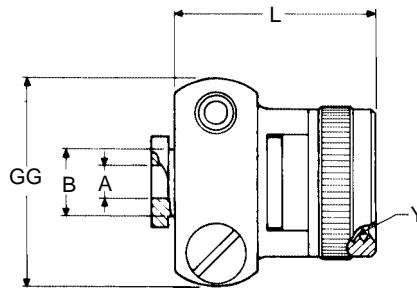


\* SJT07Y- ...

- "D" shaped panel cut-out dimensions
- \* To complete order number, see "how to order" pages

Shell Size	N +.00 -.01	C Max	A• +.00 -.02	L Max	H Hex +.04 -.04	S ±.04	KK +.03 -.00	RR Thread Class 2a Threaded	T• +.02 -.00
8	12.01	27.38	13.77	7.54	19.03	23.82	16.31	.5625-24	14.52
10	14.99	30.56	16.992	7.54	22.22	26.97	19.45	.6875-24	17.70
12	14.05	35.33	21.08	7.54	26.97	31.75	22.66	.8750-20	22.45
14	22.22	38.48	24.26	7.54	30.17	34.92	25.86	1.0000-20	25.50
16	25.40	41.68	27.53	7.54	33.32	38.10	29.01	1.1250-18	28.80
18	28.57	44.86	30.68	8.33	36.52	41.27	32.21	1.2500-18	31.98
20	31.75	49.61	33.86	8.33	39.67	46.02	35.36	1.3750-18	35.15
22	34.92	52.78	37.06	8.33	44.87	49.22	38.56	1.5000-18	38.27
24	38.10	55.96	40.13	8.33	46.02	52.37	41.77	1.6250-18	41.50

# Cable Clamp



\* 10-476808-XXX

\* To complete order number, add shell size and suffix number.  
For example, shell size 10 with cadmium plate, nickel base, 10-476808-107.

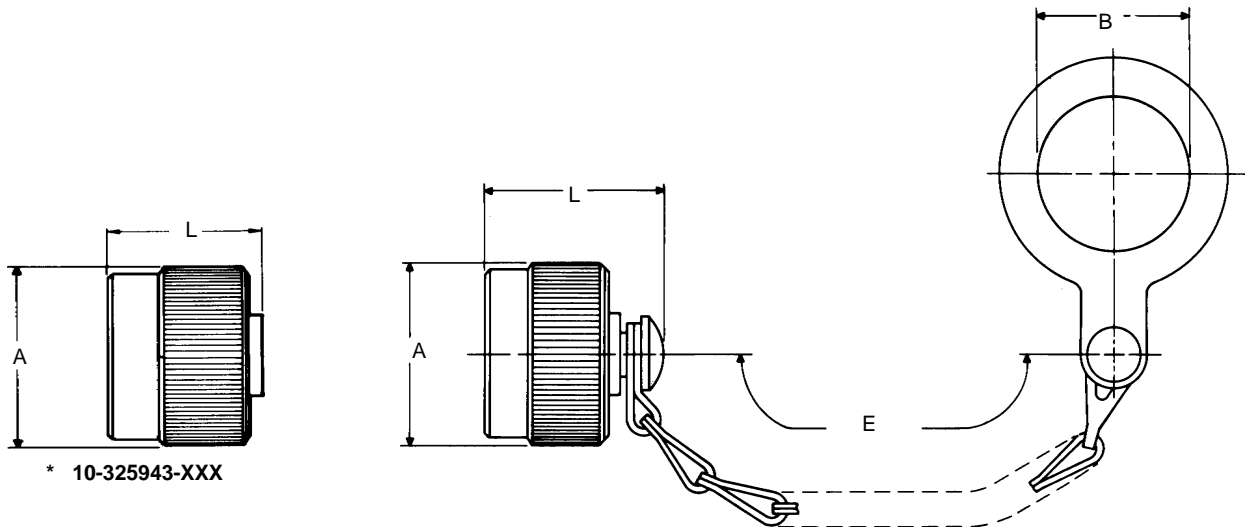
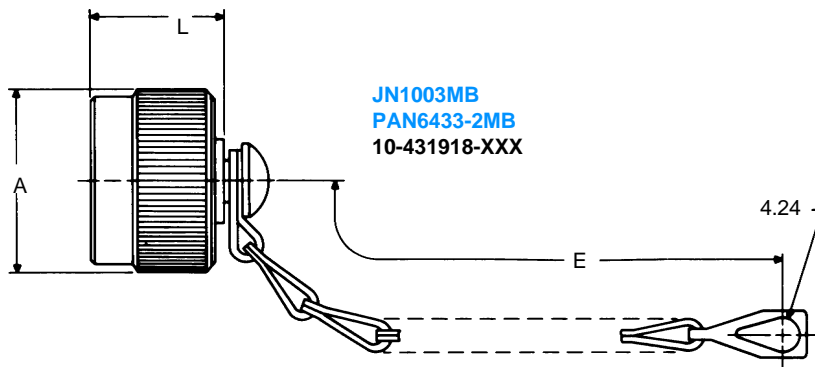
Finish	10-No. Suffix
Chromate treat	-XX0
Anodic coating	-XX5
Cadmium plate nickel base	-XX7
Olive Drab, Cadmium, nickel base	-XX9
Electroless nickel	-XXG

Shell Size	A Dia +.02 -.06	B Dia +.00 -.03	L Max	Y Thread Class 2B UNEF (Plated)	GG Max
8	3.17	6.35	23.42	.4375-28	19.68
10	4.77	7.92	23.42	.5625-24	20.09
12	7.92	11.12	23.42	.6875-24	24.46
14	9.52	14.27	29.76	.8125-20	27.60
16	12.70	15.89	29.76	.9375-20	29.31
18	15.87	19.05	29.76	1.0625-18	35.54
20	15.87	19.05	29.76	1.1875-18	35.54
22	19.03	23.82	32.94	1.3125-18	40.31
24	20.32	25.54	32.94	1.4375-18	42.69

All dimensions for reference only



Cover, connector receptacle electrical -  
**JN1003-MB PAN 6433-2MB, PAN 6433-2MA**



**\* JN1003 MA  
 \* PAN6433-2MA  
 \* 10-432984-XXX**

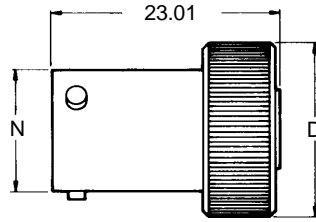
Finish	Suffix
Chromate treat	-XX0
Anodic coating	-XX5
Cadmium plate nickel base	-XX7
Olive Drab, Cadmium, nickel base	-XX9
Electroless nickel	-XXG

Shell Size	A Dia Max	B Dia Max	L Max	E Min
8	19	16.28	21.03	69.85
10	22	19.46	21.03	69.85
12	26	22.63	21.03	82.55
14	29	25.81	21.03	82.55
16	33	28.98	21.03	82.55
18	36	32.16	21.03	82.55
20	39	38.63	21.03	95.25
22	44	41.28	21.03	95.25
24	46	41.68	21.82	95.25

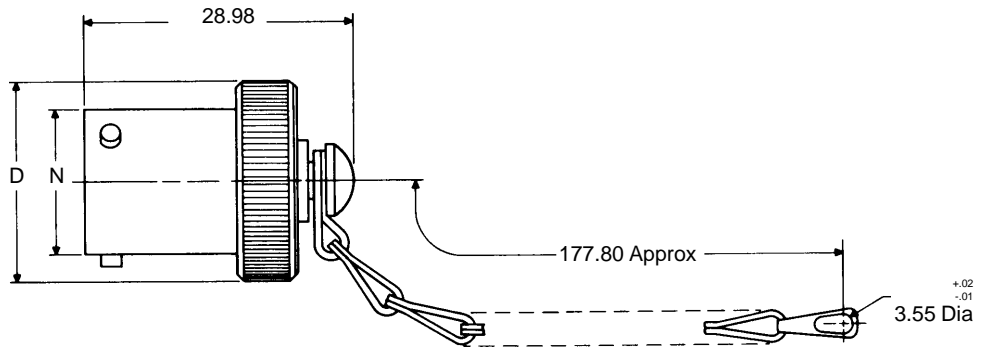
All dimensions are for reference only

# Plug protection cap

Plug protection cap



\*10-476801-XXX



- \* 10-476810-XXX
- \* JN1003MFXX
- \* PAN 6433-2MFXX

\*To complete order number, add shell size and suffix number.  
For example shell size 10 with bright cadmium plated Nickel base, 10-476810-107

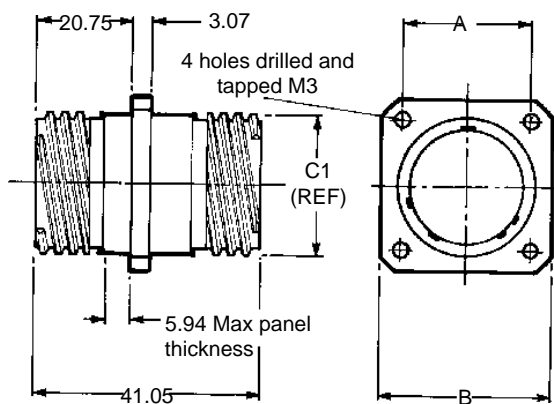
Shell Size	D Dia Max	N Max
8	17.48	12.01
10	20.63	14.99
12	24.61	19.05
14	27.79	22.23
16	30.96	25.40
18	34.14	28.58
20	37.31	31.75
22	40.49	34.93
24	43.66	38.10

All dimensions for reference only

Finish	10-No. Suffix
Bright cadmium plated nickel base	XX7
Anodic coating (Alumilite)	XX5
Chromate Treated (Iridite 14-2)	XX0
Olive drab cadmium plate nickel base	XX9
Electroless nickel coating	XXG

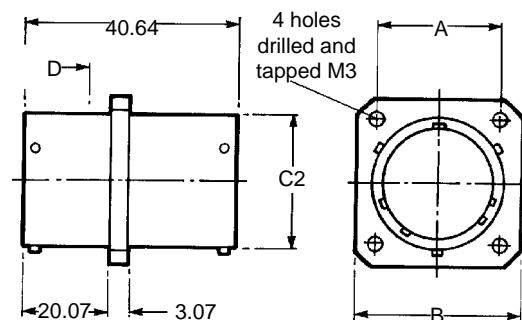
- For feed through or breaks on backhead of panel
- Pin and socket double ended contacts
- Drilled and tapped mounting holes

### TVB Intermates with MIL-C-38999 Series III connectors



TVBK=Electroless nickel TVBW=Olive drab TVBB = Ni Al Bronze  
Example part number: TVBW-25-35PSN(W02)

### LJTB Intermates with MIL-C-38999 Series 1 connectors



Example part number: LJTB-25-35PS(014)(W02)

Shell size	A	B	C1	C2	D LJT Max Panel thickness
9	18.26	23.83	15.88	14.53	5.18
11	20.62	26.19	19.05	17.78	5.18
13	23.01	28.58	22.25	21.59	5.18
15	24.61	30.96	27.94	24.77	5.18
17	26.97	33.32	30.15	27.94	5.18
19	29.36	36.53	31.75	30.66	5.18
21	31.75	39.67	34.93	33.83	5.18
23	34.93	42.88	38.10	37.01	5.18
25	38.10	46.02	41.28	40.18	4.90

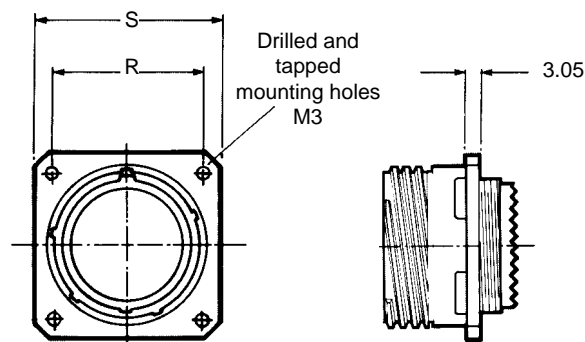
## Drilled and tapped mounting holes (W02) deviation

- Eases connector mounting
- Cost effective
- Alleviates the possibility of mounting nuts falling into equipment

Available in all square flange sizes

N.B Flange thickness is increased to 3.05

Example part number LJTP02RE1535PN(W02)



Shell size	LJT/TV	
	R	S
9	18.26	23.83
11	20.62	26.19
13	23.01	28.58
15	24.61	30.96
17	26.97	33.32
19	29.36	36.53
21	31.75	39.67
23	34.93	42.88
25	38.10	46.02

Shell size	SJT	
	R	S
8	15.09	20.62
10	18.26	23.80
12	20.62	26.19
14	23.01	28.55
16	24.61	30.96
18	26.97	33.30
20	29.36	36.53
22	31.75	39.67
24	34.93	41.35

All dimensions for reference only

# Crimp Contacts

Contact Size	SJT/JT/LJT Pins + TV		JT Sockets		SJT/LJT Sockets + TV	
	Proprietary No	MS Number	Proprietary No	MS Number	Proprietary No	MS Number
8 (Coax)	21-33102-21	M39029/60-367	NA	NA	21-33101-21	M39029/59-366
8 (Twinax)	21-33190-529	M39029/90-529†	NA	NA	21-33191-530†	M39029/91-530
10 (Power)	10-251415-105	M39029/58-528	NA	NA	10-407035-105	M39029/56-527
12	10-251415-12H	M39029/58-365	10-251416-125	M39029/57-359	10-407035-125	M39029/56-353
16	10-251415-165	M39029/58-364	10-251416-165	M39029/57-358	10-407035-165	M39029/56-352
20	10-251415-205	M39029/58-363	10-497401-205	M39029/57-357	10-497403-205	M39029/56-351
22	10-251415-225	M39029/58-362	10-251416-225	M39029/57-356	10-407035-225	M39029/56-350
22M	10-251415-235	M39029/58-361	10-251416-235	M39029/57-355	10-407035-235	M39029/56-349
22D	10-251415-725	M39029/58-360	10-251416-725	M39029/57-354	10-407035-725	M39029/56-348

† for use with M17/M176-00002 cable.

## Filler Plugs

Contact Size	Sealing Plugs	
	Proprietary No	MS Number
8 (Coax)	10-482099-8	NA
8 (Twinax)	10-405996-8-1	MS27488-8-1
10 (Power)	10-576225	NA
12	10-405996-12-1	MS27488-12-1
16	10-405996-16-1	MS27488-16-1
20	10-405996-20-1	MS27488-20-1
22D	10-405996-22-1	MS27488-22-1

## Dummy Contacts

Dummy Contacts Size	
8 Pin	418-920P
8 Sockets	418-920S

## Thermocouple Contacts

Contact Size	Material	JT/LJT/TV Pins	JT Sockets	LJT/TV Sockets
20	Chromel	10-407862-310	10-407863-310	10-407865-310
	Alumel	10-407862-320	10-407863-320	10-407865-320
	Iron	10-407862-335	10-407863-335	10-407865-335
	Constanstan	10-407862-342	10-407863-342	10-407864-342

## Premating Contacts

SJT/LJT/JT/TV	Size 20	Size 16	Size 12
Pin Contact	418-1038-2000P-02	418-1038-1600P-02	418-1038-1200P-02

## Last Mate Contacts

SJT/LJT/JT/TV	Size 20	Size 16	Size 12
Pin Contact	418-1038-2001P-02	418-1038-1601P-02	418-1038-1201P-02

## Heavy Duty Power Contacts

Size 8 Power Contacts rated at 60 amps. LJT, SJT, TV Series only.

8 AWG Cable:  
Pin Contact 900-197  
Socket Contact 900-217

10 AWG Cable:  
Standard Contact plus Reducing Sleeve 900-154

Contact Size/Type	Crimping Tool	Turret Die or Positioner
12 Pin and Socket	M22520/1-01	M22520/1-04
16 Pin and Socket	M22520/1-01 M22520/7-01	M22520/1-04 M22520/7-04
20 Pin and Socket	M22520/1-01 M22520/2-01 M22520/7-01	M22520/1-04 M22520/2-10 M22520/7-08
22, 22D, 22M Pin	M22520/2-01 M22520/7-01	M22520/2-09 M22520/7-07
22, 22D, 22M Socket (LJT-R)	M22520/2-01 M22520/7-01	M22520/2-07 M22520/7-05
22D Socket (JT-R)	M22520/2-01 M22520/7-01	M22520/2-06 M22520/7-06
8 Twinax Centre Pin and Socket	M22520/2-01	M22520/2-37
8 Twinax Intermediate Outer Pin & Socket	M22520/5-01	M22520/5-200

Contact Size/Type	Crimping Tool	Turret Die or Positioner
8 Coaxial Inner Pin and Socket	M22520/2-01	M22520/2-31
8 Coaxial Outer Pin and Socket	M22520/5-01 M22520/5-01 M22520/10-01	M22520/5--05 Die Closure B M22520/5-41 Die Closure B M22520/10-07 Die Closure B
16 Coaxial Inner Pin and Socket	M22520/2-01	M22520/2-35
16 Coaxial Outer Pin and Socket	M22520/4-01	M22520/4-02
12 Coaxial Inner Pin and Socket	M22520/2-01	M22520/2-34
12 Coaxial Outer Pin and Socket	M22520/31-01	M22520/31-02
10 (Power)	*CONSULT	FACTORY

Where 2 or 3 tools are listed for a contact size, only one tool and its die or positioner are required to crimp the contact. The above crimping tools and positioners are available from the approved tool manufacturer.

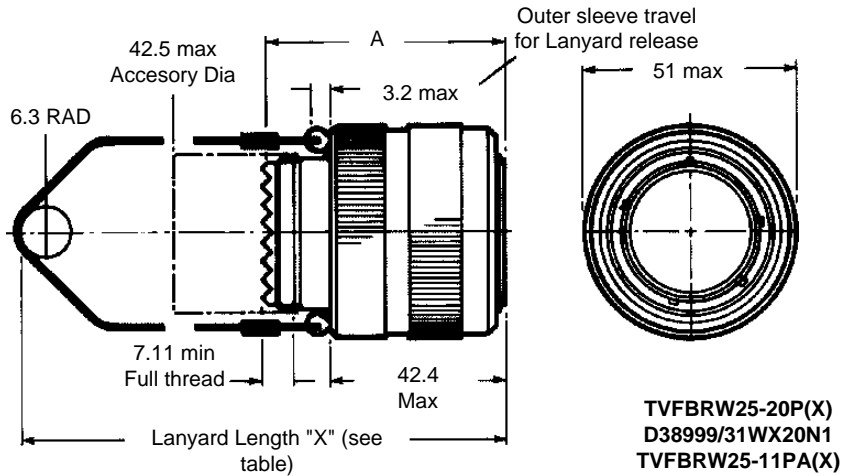
## Insertion Tools

Use With Contact Size	Plastic Tools		Metal Tools			
	Part Number	Colour	Angle Type		Straight Type	Colour
			MS Part Number	Proprietary Part Number	Proprietary Part Number	
12	M81969/14-04	Yellow / (White)	M81969/8-09	11-8674-12	11-8794-12	Yellow
16	M81969/14-03	Blue / (White)	M81969/8-07	11-8674-16	11-8794-16	Blue
20	M81969/14-10	Red / (Orange)	M81969/8-05	11-8674-20	11-8794-20	Red
22	M81969/14-09	Brown / (White)	M81969/8-03	11-8674-22	11-8794-22	Brown
22D, 22M	M81969/14-01	Green / (White)	M81969/8-01	11-8674-24	11-8794-24	Black
8 Coaxial	None Required					
8 Twinax	None		M81969/46-06	None		Red

## Removal Tools

Use With Contact Size	Plastic Tools		For Unwired Contacts Proprietary Part Number	Metal Tools			Colour Code
	Part Number	Colour Code		Angle Type		Straight Type	
				MS Part Number	Proprietary Part Number	Proprietary Part No	
12	M81969/14-04	(Yellow) / White	11-10050-11	M81969/8-10	11-8675-12	11-8795-12	Yellow / White
16	M81969/14-03	(Blue) / White	11-10050-10	M81969/8-08	11-8675-16	11-8795-16	Blue / White
20	M81969/14-10	(Red) / Orange	11-10050-9	M81969/8-06	11-8675-20	11-8795-20	Red / White
22	M81969/14-09	(Brown) / White	11-10050-8	M81969/8-04	11-8675-22	11-8795-22	Brown / White
22D, 22M	M81969/14-01	(Green) / White	11-10050-7	M81969/8-02	11-8675-24	11-8795-24	Black / White
8 Coaxial	M81969/14-12	Green	None	None	11-9170	DRK264-8	N/A
8 Twinax	M81969/14-12	Green	None	M81969/46-12	11-9170	N/A	N/A

- Swivel Lanyard
- Moisture / Ice Resistant
- Approved to D38999 / 31 , JN1034, complies with Stanag 3837AA
- Insert arrangement compatible with MIL-STD-1553B databus



Replace 'X' in part number with Lanyard length

Shell size *	A max dia
11	33.02
13	36.02
15	39.52
17	41.00
19	41.00
23	47.42
25	51.00

Lanyard code*	Length ±6mm
D	140
E	153
F	166
G	178
H	191
K	229
M	254
J	407
X	432

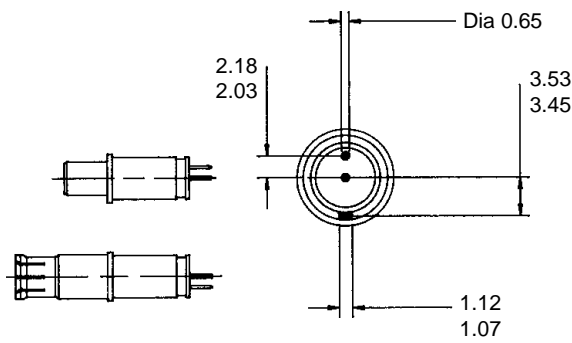
\* Other sizes available on request

- For MIL-STD-1760 applications only, 25-20 and 25-11 inserts should be used

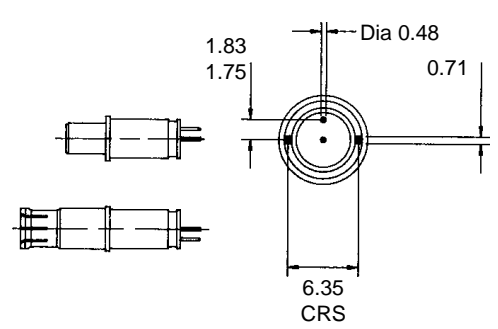
Contact size	Under D38999/31		Socket Contacts	
	Pin contacts Proprietary Number	MS Number	Proprietary Number	MS Number
8 (twinax)	21-33190-529	M39029/90-529	21-33191-530	M39029/91-530
10 (power)	10-251415-105	M39029/58-528	10-407035-105	M39029/56-527
12 (coax)	21-33122-546	M39029/28-211	21-33123-546	M39029/75-418
16 (power)	10-251415-165	M39029/58-364	19-407035-165	M39029/56-352
20 (power)	10-251415-205	M39029/58-363	10-497403-205	M39029/91-351

Contact size	Under TVFBRW 25		Under JN1034E	
	Pin contacts Proprietary Number	Socket Contacts	Pin contacts Proprietary Number	Socket Contacts
8 (twinax)	711-1760-1-14	711-1760-2-14	711-1760-1-32	711-1760-2-32
10 (power)	10-251415-105	10-407935-105		
12 (coax)	21-33122-546	21-33123-546	21-33122-546	21-33123-546
16 (power)	10-251415-165	10-407035-165	10-251415-165	10-407035-165
20 (power)	10-251415-205	10-497403-205	10-251415-205	10-497403-205

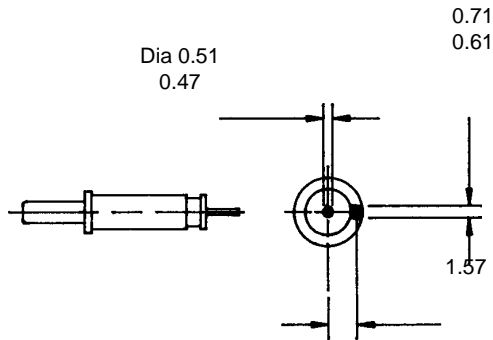
Append "L/C" to part number if no contacts are required  
All dimensions are for reference only



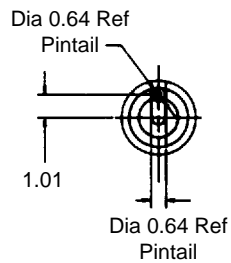
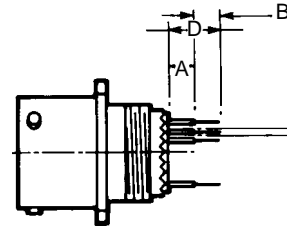
**711GB-0329-1**  
**711GB-0329-2**



**711-1760-1PC**  
**711-1760-2PC**  
**711-1760-3PC**



**418-1440-1200P-IPC**



**418-1608-1600S-1PC**

	TV07	TV06	TVP00	LJT00	LJT06	LJTPQ00	LJT07 #9	LJT07 #19-25	LJTP02 LJT02	JTPQ00 #8	JT06 #8	JT00 #8	JT07 #8	JTPQ00 #24	JT06 #24	JT07 #24	JT00 #24	SJT06 #8	SJT00 #8	SJT00 #24	SJT07 #8-16	SJT07 #18-24	
Size 8 Data Bus Pin	B	D	D	D	D	D	D	D	D	D	D	D	D	D	D	D	D	D	D	D	D	D	D
711GB-0329-1	4,32	4,32	4,32	4,98	4,39	4,60	4,43	3,75	10,16	7,87	8,31	8,31	8,31	6,58	6,58	6,58	6,58	3,66	4,98	3,58	NS	NS	
711-1760-1PC	2,79	2,79	2,79	3,48	2,87	3,10	3,00	2,25	8,66	6,38	6,81	6,81	6,81	5,08	5,08	5,08	5,08	2,16	3,48	2,08	NS	NS	

Size 8 Data Bus Socket	B	D	D	D	D	D	D	D	D	D	D	D	D	D	D	D	D	D	D	D	D	D	
711GB-0329-2	4,10	4,10	4,10	4,78	4,17	4,39	4,24	3,75	9,96										3,45	4,78	3,38	NS	NS
711-1760-2PC	2,59	2,59	2,59	3,28	2,67	2,90	2,74	2,25	8,46	TV, LJT & SJT ONLY									1,96	3,28	1,88	NS	NS
711-1760-3PC	4,76	4,76	4,76	5,44	4,83	5,05	4,90	4,41	10,62										4,11	5,44	4,04	NS	NS

Size 12 Coax Pin	B	D	D	D	D	D	D	D	D	D	D	D	D	D	D	D	D	D	D	D	D	
418-1440-1200P-1PC	2,79	2,79	2,79	3,48	2,87	3,10	3,00	2,25	8,66	6,38	6,81	6,81	6,81	5,08	5,08	5,08	5,08	5,16	3,48	2,08	NS	NS

Size 16 Coax Socket	B	D	D	D	D	D	D	D	D	D	D	D	D	D	D	D	D	D	D	D	D		
418-1608-1600S-1PC	4,48	4,47	4,47	5,16	4,55	4,78	4,62	4,13	10,34	TV, LJT & SJT ONLY									3,84	5,16	3,76	NS	NS

All dimensions for reference only

Contacts		P/S	Size	Cable	Crimping Tools	
LJT/TV/SJT	JT				Inner Contact	Crimp Ferrule
418-840-16001-02 M39029/76-424		P	16	RG179B/U RG174a/U RG188A/U RG316/U RG161/U RG187A/U Teledyne 11299 Times (HS-179) AA3248	MIL-C-22520/2-01 with positioner M22520/2-35 or Daniels Positioner K32	M22520/4-01 with positioner M2520/4-02
418-841-16001-02 M39029/77-428	21-33121-563 M39029/78-432	S	16			
418-840-12001-02 M39029/28-211		P	12		MIL-C-22520/2-01 with positioner M22520/2-34 or Daniels Positioner 323	M22520/31-01 Positioner M22520/31-02 or Daniels G5200 Tool Positioner G2P330
418-841-12001-02 M39029/75-416	21-33121-546 M39029/27-210	S	12			

Partial Lists - Please see "Coaxial Contacts" catalogue for other contacts available

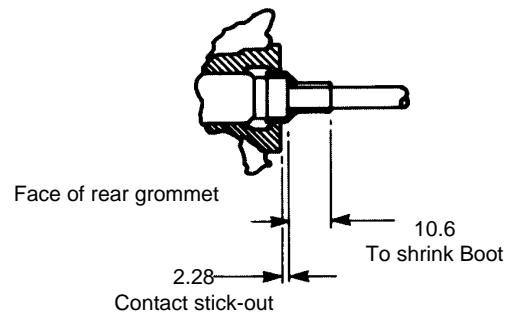
## Short #8 MIL-STD-1553B Contacts for 1760 Interfaces

Contacts designed to meet the requirements of MIL-C-39029/90A (PIN) and 91A (Socket). For use in aircraft stores management interfaces.

### 711-1760-X-X X

<b>Series Designator</b>	<b>Variation (Cable accepted)</b> 1- Raychem EPD 221898 & 10614 Grumman GC 875 F24H 2- Raychem 10613 711 Series - Pan 6421 3- McDonnell Douglas SM2022/003 4- Tensolite M17/176.00002 Raychem 10612 5- Rychem 10606 6- Raychem EPD 2984A
<b>Contact Style</b> 1=Pin 2=Socket	
<b>Sealing Style</b> 0=No seal supplied 1=1760/heatshrink boot 2=38999/cable grommet 3=Improved cable grommet	

### \*JN1057-X 711-1760-X-XX in situ dimensions

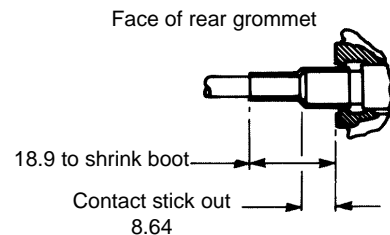


Contacts are of a four piece weight reduced design and utilises the MIL-Spec tooling listed below-

For centre contact crimp - Positioner Part No. 294GB 5049  
Hand tool M22520/2-01

For intermediate & outer Body crimps Die Part No 294GB 5050  
Hand tool M22520/5-01

### M39029/90/91A in situ dimensions

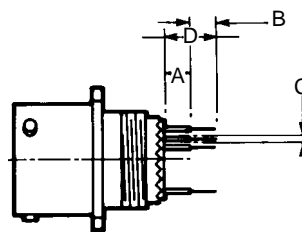




	Tail Dia "C"	Tail Length "B"	TV07/TV06 TVP00	LJT00 LJT06	LJTPQ00	LJT07 #9-15	LJT07 #17-25	LJT02/JTP02 LJTP02/JT02	JTP000 #8-22 JT06 #8-22	JT00 #8-22 JT07 #8-22	JTPQ00/JT06 #24 JT07/JT00 #24	SJT06 SJT00 #8-22	SJT00 #24	SJT07 #8-16	SJT07 #18-24
Pin size 16	C	B	A	A	A	A	A	A	A	A	A	A	A	A	A
418-926-1600P-02	1.22	2.95	5.74	6.40	6.02	5.87	5.38	11.58	9.32	9.78	8.03	6.40	5.00	NS	NS
418-1086-1600P-02	0.99	8.64	6.71	7.37	6.99	6.83	6.35	12.55	10.29	10.74	8.97	7.37	5.97	1.96	NS
418-1229-1600P-02	1.22	3.99	9.58	10.24	9.86	9.70	9.22	15.42	13.16	13.61	11.86	10.24	8.84	4.83	4.04
418-926-1602P-02	1.14	8.00	9.80	10.46	10.08	9.93	9.45	15.65	13.39	13.84	12.09	10.46	9.07	5.05	4.27
Socket size 16	C	B	A	A	A	A	A	A	A	A	A	A	A	A	A
418-1086-1600S-02	1.04	8.64	6.73	7.39	7.01	6.86	6.35	12.57	LJT SJT TV only			7.39	5.99	1.98	NS

\*Ref to drawing below (Wire Wrap Contacts)

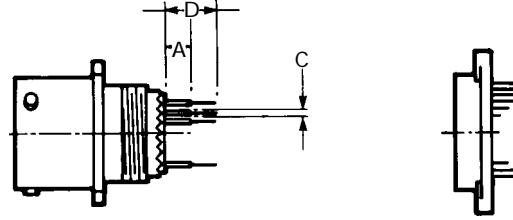
## Wire Wrap Contacts



	Tail Square "C"	Tail Length "B"	TV07/TV06 TVP00	LJT00 LJT06	LJTP000	LJT07 #9-15	LJT07 #17-25	LJT02/JTP02 LJTP02/JT02	JTP000 #8-22 JT06#8-22	JT00 #8-22 JT07 #8-22	JTP000/JT06 #24 JT07/JT00 #24	SJT06 SJT00 #8-22	SJT00 #24	SJT07 #8-16	SJT07 #18-24
Pin #22D	C	B	A	A	A	A	A	A	A	A	A	A	A	A	A
418-982-22001-02	0.63	11.94	6.20	6.86	6.48	6.32	5.84	12.03	9.78	10.24	8.48	6.86	5.46	NS	NS
418-982-2202P-02	0.63	15.54	15.34	16.00	15.62	15.47	14.99	21.18	18.92	19.38	17.63	16.00	14.60	10.59	9.80
418-982-2200P-02	0.63	12.62	17.83	18.49	18.11	17.96	17.47	22.61	21.41	21.87	20.17	18.49	17.09	13.08	12.29
Socket#22D	C	B	A	A	A	A	A	A	A	A	A	A	A	A	A
418-982-2202S-02	0.64	15.54	15.06	15.72	15.34	15.19	14.68	20.90	LJT only			15.72	14.33	10.31	9.53
418-982-2200S-02	0.64	12.75	17.55	18.21	17.83	17.68	17.17	23.39	LJT only			18.21	16.81	12.80	12.01
Pin#20	C	B	A	A	A	A	A	A	A	A	A	A	A	A	A
418-982-2002P-02	0.64	15.54	15.34	16.00	15.62	15.47	24.13	21.18	18.92	19.38	17.63	16.00	14.61	10.59	9.80
Socket #20	C	B	A	A	A	A	A	A	A	A	A	A	A	A	A
418-1086-2002S-02	0.64	15.70	15.04	15.54	15.34	15.19	14.68	20.90	LJT only			15.72	14.33	10.31	9.50

All dimensions are nominal, "NS" Designates no stick out, "#" designates shell size  
To ensure grommet sealing - stickout dimensions should be equal to or greater than contact tail length

- Can be supplied fitted or loose
- Standard insert extraction tools
- Gold plating in accordance with MIL-C-39029
- Can be used with Harwin Sockets



	Tail Dia "C"	Tail Length "B"	TV07/TV06	TVP00	LJT00	LJT06	LJTPQ00	LJT07 #9-15	LJT07 #17-25	LJT02/JTP02	LJT02/JT02	JTP00/JT06 #8-22	JT00 /JT07#8-22	JTPQ00/JT06 /JT07/JT00#	SJT06	SJT00 #8-22	SJT00 #24	SJT07 #8-16	SJT07 #18-24
Pin size #22D	C	B	D	D	D	D	D	D	D	D	D	D	D	D	D	D	D	D	D
418-1227-2200P-02	0.027	0.122	NS	NS	NS	NS	NS	NS	0.163	0.073	0.091	NS	NS	NS	NS	NS	NS	NS	NS
418-923-2200P-02	0.024	0.158	NS	NS	NS	NS	NS	NS	0.217	0.128	0.146	0.077	NS	NS	NS	NS	NS	NS	NS
418-818-2200P-02	0.028	0.157	0.062	0.088	0.073	0.067	NS	NS	0.292	0.203	0.221	0.152	0.088	NS	NS	NS	NS	NS	NS
418-929-22001-02	0.019	0.160	0.123	0.149	0.134	0.128	0.109	0.109	0.353	0.264	0.282	0.213	0.149	0.094	NS	NS	NS	NS	NS
418-1075-2200P-02	0.019	0.118	0.167	0.193	0.178	0.172	0.153	0.397	0.308	0.326	0.266	0.193	0.138	NS	NS	NS	NS	NS	NS
418-926-2200P-02	0.019	0.118	0.189	0.215	0.200	0.194	0.175	0.419	0.330	0.348	0.279	0.215	0.160	NS	NS	NS	NS	NS	NS
418-1228-2200P-02	0.015	0.138	0.233	0.259	0.244	0.238	0.219	0.463	0.374	0.382	0.323	0.259	0.204	NS	NS	NS	NS	NS	NS
418-1086-2200P-02	0.019	0.348	0.264	0.290	0.275	0.269	0.250	0.494	0.405	0.423	0.353	0.290	0.235	0.077	NS	NS	NS	NS	NS
418-926-2201P-02	0.019	0.276	0.346	0.373	0.376	0.352	0.333	0.577	0.488	0.506	0.437	0.373	0.318	0.160	0.129	NS	NS	NS	NS
418-926-2202P-02	0.019	0.315	0.386	0.412	0.397	0.391	0.372	0.616	0.527	0.545	0.476	0.412	0.357	0.199	0.168	NS	NS	NS	NS
418-929-22004	0.019	0.253	0.554	0.580	0.565	0.559	0.540	0.784	0.695	0.713	0.644	0.580	0.525	0.367	0.336	NS	NS	NS	NS

Socket size 22D	C	B	D	D	D	D	D	D	D	D	D	D	D	D	D	D	D	D	D
418-923-2200S-02	0.023	0.158	NS	NS	NS	NS	NS	0.206	LJT SJT TV only			NS	NS	NS	NS	NS	NS	NS	NS
418-1075-2200S-02	0.019	0.119	0.165	0.191	0.176	0.170	0.150	0.395	LJT SJT TV only			0.191	0.136	NS	NS	NS	NS	NS	NS
418-926-2200S-02	0.019	0.118	0.178	0.204	0.189	0.183	0.164	0.408	LJT SJT TV only			0.204	0.149	NS	NS	NS	NS	NS	NS
418-818-2200S-02	0.028	0.157	JT connectors only						0.438	0.348   0.366   0.297			JT connectors only						
418-1077-2200S-02	0.027	0.290	0.241	0.267	0.252	0.246	0.226	0.471	LJT SJT TV only			0.267	0.212	NS	NS	NS	NS	NS	NS
418-1086-2200S-02	0.019	0.340	0.265	0.291	0.276	0.270	0.250	0.495	LJT SJT TV only			0.291	0.236	0.078	NS	NS	NS	NS	NS

Pin size 20	C	B	D	D	D	D	D	D	D	D	D	D	D	D	D	D	D	D	D
418-916-2000P-02	0.024	0.100	NS	NS	NS	NS	NS	0.230	0.141	0.159	0.090	NS	NS	NS	NS	NS	NS	NS	NS
418-1226-2000P-02	0.020	0.125	0.129	0.155	0.140	0.134	0.115	0.359	0.270	0.288	0.219	0.155	NS	NS	NS	NS	NS	NS	NS
418-926-2000P-02	0.048	0.116	0.226	0.252	0.237	0.231	0.212	0.456	3.670	0.385	0.316	0.232	0.197	NS	NS	NS	NS	NS	NS
418-1086-2000P-02	0.039	0.340	0.265	0.290	2.750	0.269	0.250	0.494	0.405	0.423	0.353	0.290	0.235	0.077	NS	NS	NS	NS	NS
418-1205-2000P-02	0.028	0.196	0.309	0.333	0.320	0.314	0.295	0.539	0.450	0.468	0.399	0.330	0.280	0.122	0.091	NS	NS	NS	NS
418-1229-2000P-02	0.048	0.157	0.377	0.403	0.388	0.382	0.363	0.607	0.518	0.536	0.467	0.403	0.348	0.19	0.159	NS	NS	NS	NS
418-929-2000P-02	0.045	0.315	0.386	0.412	3.670	0.391	0.372	0.616	5.270	0.545	0.476	0.412	0.357	0.199	0.168	NS	NS	NS	NS

Socket Size 20	C	B	D	D	D	D	D	D	D	D	D	D	D	D	D	D	D	D	D
418-818-2000S-02	0.028	0.157	JT Connectors only						0.174	0.084	0.102	NS	JT Connectors only						
418-1086-1600S-02	0.039	0.340	0.265	0.291	0.276	0.270	0.250	0.495	LJT SJT TV only			0.291	0.236	0.078	NS	NS	NS	NS	NS
418-1205-2000S-02	0.028	0.197	0.302	0.328	0.313	0.307	0.287	0.532	LJT SJT TV only			0.328	0.273	0.115	0.084	NS	NS	NS	NS

Pin Size #16	C	B	D	D	D	D	D	D	D	D	D	D	D	D	D	D	D	D	D
418-926-1600P-02	0.048	0.116	0.226	0.252	0.237	0.231	0.212	0.456	0.367	0.385	0.316	0.252	0.197	NS	NS	NS	NS	NS	NS
418-1086-1600P-02	0.039	0.340	0.264	0.290	0.275	0.269	0.250	0.494	0.405	0.423	0.353	0.290	0.235	0.077	NS	NS	NS	NS	NS
418-1229-1600P-02	0.048	0.157	0.377	0.403	0.388	0.382	0.363	0.607	0.518	0.536	0.467	0.403	0.348	0.19	0.159	NS	NS	NS	NS
418-926-1600P-02	0.045	0.315	0.386	4.120	0.397	0.391	0.372	0.616	0.527	0.545	0.476	0.412	0.357	0.199	0.168	NS	NS	NS	NS

Socket Size #16	C	B	D	D	D	D	D	D	D	D	D	D	D	D	D	D	D	D	D
418-1086-1600S-02	0.041	0.340	0.265	0.291	0.276	0.270	0.250	0.495	LJT SJT TV only			0.291	0.236	0.078	NS	NS	NS	NS	NS

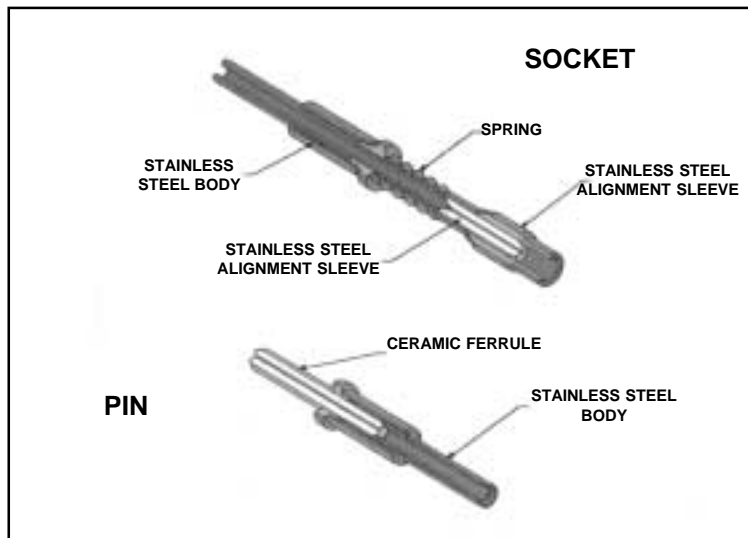
"NS" Designates no stick out. # Designates Shell Size

To ensure grommet sealing - stickout dimensions should be equal to or greater than contact tail length

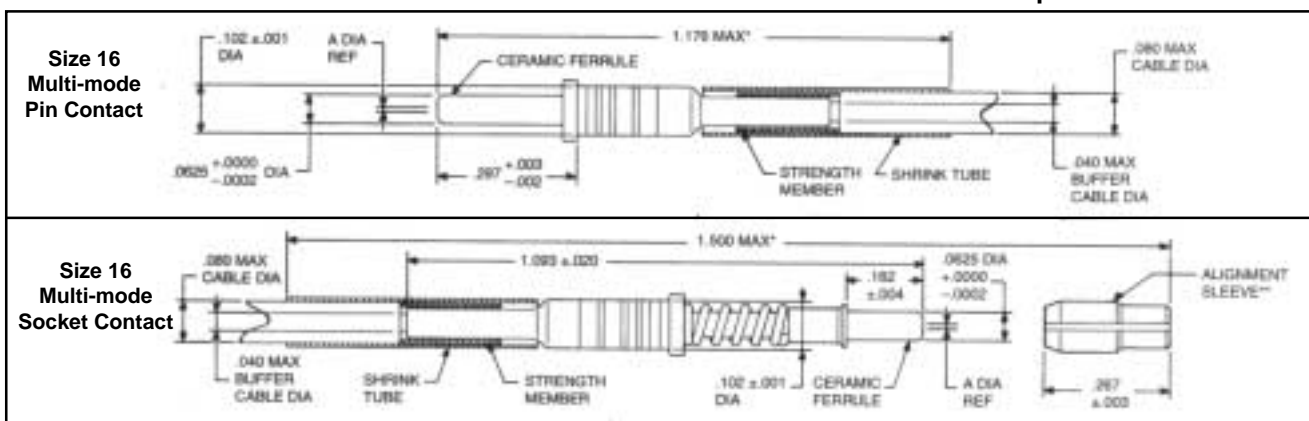
# features, how to order

Amphenol® Multi-mod16 Termini  
Features and Performance Levels:

- Ceramic alignment ferrule which precisely positions the fibre within the termini.
- Stainless steel alignment sleeve, assembled on the socket after polishing insures accurate fibre to fibre alignment (a ceramic alignment sleeve is also available).
- Typical insertion loss for 100/140fibre with .2NA at 820nm is .5 to .7 dB using Air Gap (AG) polish  
Use of the ceramic ferrule and sleeve maximises the ability to hold extremely tight dimensional tolerances while maintaining accurate concentricity, thus providing superior and consistent optical loss performance.
- Termination accomplished using the industry proven epoxy/polish method. Can be polished Air Gap (AG) or Physical Contact (PC).
- Socket cleaning optional. Consult Amphenol, for termini cleaning tool.



**Multi-mode Size 16 Fibre Optic Termini**



Amphenol® Multi-Channel fibre optic connectors are supplied less contacts. Order multi-mode termini by Amphenol part number designation or MIL-29504 designation as shown in the charts below.

• Indicated dimension when fully assembled.  
•• Alignment sleeve shipped unassembled

Fibre Size• Core Cladding Dia (Microns)	Size 16 Socket	Size 16 Pin	A Dia Ref	
			Inches	Microns
50/125	CF-198035-010	CF-198036-010	.0050	127
62.5/125				
100/140	CF-198035-017	CF-198036-017	.0057	145
100/140/172	CF-198035-029	CF-198036-029	.0069	175
100/140/172	CF-198035-29A	CF-198036-29A	.0068	173.5
200/230	CF-198035-053	CF-198036-053	.0093	236
200/240	CF-198035-057	CF-198036-057	.0097	245
200/280	CF-198035-074	CF-198036-074	.0114	290
200/300	CF-198035-080	CF-198036-080	.0120	305

M29504 Part Number		Reference Amphenol Part Number	
Socket	Pin	Socket	Pin
M29504/5-4046		CF-198035-10	
	M29504/4-4040		CF-198036-10
M29504/5-4050		CF-198035-17	
	M29504/4-4044		CF-198036-17

• Additional sizes available upon request

Power contacts can be purchased separately.

### LJT 06 RT\*\*-11-35 S A (014)

<b>Series Designator</b> MIL-C-38999 LJT Series I JT Series II SJT PAN6433-2	<b>Deviation see chart</b>
<b>Style See Chart</b>	<b>Alternate Keyway</b> Letters A to D
<b>Class</b> RE= Box mount receptacles with grommet nut RT= Removable contacts accessory thread A= Fixed solder contacts Y= Hermetic Seal	<b>Contact Style</b> P= Pin contact S= Socket contact
	<b>Insert Arrangement</b>
	<b>Shell</b> LJT odd nos 9 to 25 JT & SJT even nos 8 to 24

\* Note: Add S to TV on F class connectors  
\*\* For Hermetic connectors drop RT and replace with Y

### TV POO R W\*\*-11-35 S A (W02)

<b>Series</b> TV MIL-C-38999 Series 3 CTV Composite (C)TVS=200°C rated	<b>Deviation see chart</b>
<b>Style See Chart</b>	<b>Alternate Keyway</b> Letters A to E
<b>Contact Class</b> R= Removable Contacts Y= Hermetic Seal	<b>Contact Style</b> P= Pin contact S= Socket contact
<b>Class</b> *B= Nickel Aluminium Bronze *F= Electroless Nickel W= Olive Drab *K= Fire Wall	<b>Insert Arrangement</b>
	<b>Shell Size</b>

\* Note: 200°C rated use "S" in part number  
\*\* For Hermetic connectors drop RW and replace with Y

### MS27467 T\*\*-11B-35 S A

<b>Style See Chart</b>	<b>Alternate Keyway</b> Letters A to D
<b>Class</b> *T= Threaded accessory E= With grommet nut Y= Hermetic Seal	<b>Contact Style</b> P= Pin contact S= Socket contact A= Less pin contact B= Less socket contact
<b>Shell Size</b> Series 1 Odd nos 9 to 25 Series 2 Even Nos 8 to 24	<b>Insert arrangement</b>
<b>Finish</b> A= Clear Chromate B= Olive drab F= Electroless nickel	

\* Not available in box mount receptacle style  
\*\* For Hermetic connectors drop T and replace with Y

### D38999 26 W\*\* A 35 S A

<b>MIL-C-38999 Series III</b>	<b>Alternate Keyway</b> Letters A to E
<b>Style See Chart</b>	<b>Contact Style</b> P= Pin contact S= Socket contact A= Less pin contact B= Less socket contact H= 1500 mating pin contacts J= 1500 mating socket contacts
<b>Contact</b> W= Olive drab F= Electroless nickel K= Fire Wall M= Electroless Nickel Composite J= Olive Drab Composite Y= Hermetic Seal	<b>Insert arrangement</b>
<b>Shell Size</b> Letters A to J A=9 B=11 etc	

\*\* For Hermetic connectors drop W and replace with Y

A	B	C	D	E	F	G	H	J	MIL Shell Size
9	11	13	15	17	19	21	23	25	AMPHENOL Shell Size

#### Style Chart Series 1

Style	LJT	MS Series 1	BS Series	HE308
Wall mount receptacle	00	27466	C6160	00
Back wall mount receptacle	PQ00	27656	C6163	
Box mount receptacle	02	27496	C6162	
Long box mount receptacle	02 (053)	-	-	
Jam nut	07	27468	C6167	07
Back box receptacle	P02	27505	C6164	
Grounded plug	06	27467	C6166	06
Hermetic Rec. Wall Mount	00	27469	-	-
Hermetic Jam Nut Rec.	07	27470	-	-
Hermetic Solder Mount Rec.	01	27471	-	-

#### Style Chart Series 2

Style	JT	Pan	BS series 2	MS series 2	HE309
Wall mount receptacle	00	-	C2022	27472	
Back wall mount receptacle	PQ00	B	C2023	27497	03
Box mount receptacle	02	-	C2251	27499	
Long box mount receptacle	02 (053)	-	C2552	27513	
Jam nut	07	A	C2024	27474	07
Back box receptacle	P02	E	C2253	27508	
Plug	06	F	C2020	27473	06
Grounded plug	G06	FG	C2021	27484	G06
Hermetic Wall Mount Rec.	00	-	-	27475	-
Hermetic Box Mount Rec.	02	-	-	27476	-
Hermetic Solder Mount Rec.	1Y	-	-	27478	-
Hermetic Jam Nut Rec.	07	-	-	27477	-

#### Style Chart Series 3

Style	TV	D38999	BS Series 3	JN1034
Back wall mount receptacle	(S) P00	20	C6170	A
Jam nut	(S) 07	24	C6177	B
Back box receptacle	(S) P02	-	-	F
Grounded plug	(S) 06	26	C6176	C
Lanyard release	FBR	31	-	E
Hermetic Box Mount Rec.	02Y	21	-	-
Hermetic Jam Nut Rec.	07Y	23	-	-
Hermetic Solder Mount Rec.	1Y	25	-	-

#### Style Chart Series SJT

Style	SJT	PAN	JN1003	VG96912
Wall mount receptacle	00	-	-	-
Back wall mount receptacle	00	B	B	A
Box mount receptacle	02	-	-	-
Jam nut	07	A	-	B
Plug	06	F	-	E
Grounded plug	G06	FG	FG	D
Hermetic Solder Mount Rec.	1Y	-	E	C
Hermetic Jam Nut Rec.	07Y	-	-	-

**Series Designator**  
1= MIL-C-38999 Series 2  
2= LN 29729

**Style See Chart**

**Shell Size**  
Srs 2 & 5 Even nos 8 to 24

**Alternate Keyway**  
Letters A to D

**Contact Style**  
P= Pin contact  
S= Socket contact

**Insert arrangement**

**Series Designator**  
MIL-C-38999  
G0001 Series 1  
G0002 Series 2  
G0003 Series 3

**Style See Chart**

**Finish G0001/G0003**  
NF= Electroless Nickel  
NW= Olive Drab Cadmium  
NT= Zinc Cobalt  
Omit for G0002

**Shell Size**

**Deviation See Chart**  
Connector  
O= Std on G0001/G0003  
O= Olive Drab (G0002)  
2= Electroless Nickel (G0002)  
1= Olive Drab Zinc Cobalt (G0002)

**Alternate Keyway**  
Letters A to E

**Contact Style**  
M= Pin contact  
F= Socket contact

**Insert arrangement**

Note: All PAN6433 Connectors are olive drab plated

**SN-WITH CONTACTS**  
**JN1034AXXXSNL LESS CONTACTS**  
**JN1034A-F 10 35 SN1 - WITH CONTACTS**

**Series Designator**  
JN1003 = SJT  
JN1034 = TV

**Style See Chart**

**Shell Size**  
SJT even numbers 8-24  
TV odd numbers 9-25

**Contact style**  
P=Pin  
S=Socket

**Insert Arrangement**

**VG96912-A 10 35 S**

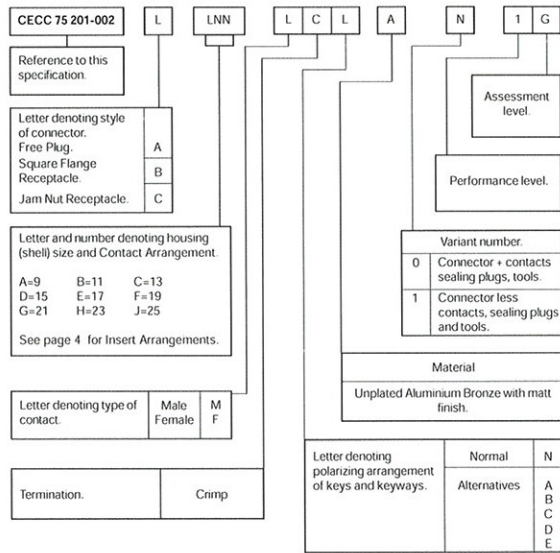
**Series Designator**  
VG96912=SJT

**Style See Chart**

**Shell Size**  
Even numbers 8-24

**Contact style**  
P=Pin  
S=Socket

**Insert Arrangement**



L=Letter N=Number  
Eg. CECC 75 201-002 AB35 MCN AOIG  
Free Plug Size 11, 13 Way, Crimp Pin Contacts, Normal Orientation, Including Contacts, Seal Plugs and Tools  
Performance Level 1, Assessment Level G.

**Deviation List**

LJT/JT TV/SJT	Description
* Blank	Clear Chromate Plating
*014	Olive Drab Cadmium Over Electroless Nickel Plating
*023	Electroless Nickel Plating
*386	014 + Cable Clamp
*424	023 + Cable Clamp
L/C	Less Contacts
*SR	Clear Chromate + Cable Clamp
W02	Drilled & Tapped Square Flange
W03	Clear Chromate + Heavy Duty Coupling Ring - LJT
W08	014 + Heavy Duty Coupling Ring + Less Contacts
W09	014 + Heavy Duty Coupling Ring
W12	023+Heavy Duty Coupling Ring - LJT
W14	Snatch Plug-LJT/JT
W52	Olive Drab Zinc Cobalt

\* Applicable to LJT and JT part numbers only

## X-ON Electronics

Largest Supplier of Electrical and Electronic Components

*Click to view similar products for [Standard Circular Connector](#) category:*

*Click to view products by [Amphenol](#) manufacturer:*

Other Similar products are found below :

[5M2530B10P](#) [600259N006](#) [600273N007](#) [6134-336-13149](#) [6134-337-11149](#) [6134-337-2390](#) [6134-341-17149](#) [6280-4SG-516](#) [6280-7SG-3DC](#)  
[6290](#) [6291A](#) [66200A-10](#) [680-SMG](#) [681-PMG](#) [CXS3102A14S2P](#) [CXS3102A181S](#) [7251-6SG-300](#) [7271-6SG-300](#) [7282-3PG-300-CH3](#) [75-](#)  
[474014-05S](#) [75-474618-01S](#) [75-474618-04P](#) [75-474618-04S](#) [799539-000](#) [MI8-SE](#) [805-005-07NF11-19PC](#) [805-005-07NF15-7PA](#) [8280-4PG-](#)  
[516](#) [8280-7PG-519](#) [8282-5PG-519](#) [836783-1](#) [MP-4102-25P-C](#) [862256-1](#) [864019-2](#) [866857-1](#) [867865-1](#) [PT01SP-14-18P](#) [PT08P-14-5S](#)  
[PTSF06SE-14-12S](#) [120-1833-000](#) [QCM019PC2DC012B](#) [1-2069279-1](#) [121583-0217](#) [121667-0020](#) [129591AU](#) [1000B BULK](#) [RD10A16-19-](#)  
[P6CS051/1](#) [RD10A20-31-P8CS051/1](#) [RD16A14-12-S6CS051/2](#) [1301240290](#) [1301240347](#)