

TY xx 01 x 0 xxxx G \triangle

Solid Block
 02 2 CONTACTS
 03 3 CONTACTS

 24 24 CONTACTS

0 Black (RAL9005)
 2 Red (RAL3001/D)
 3 Orange(RAL2011/P)
 4 Yellow(RAL1018/A)
 5 Green(RAL6018/T)
 6 Blue (RAL5015/A)
 8 Grey(RAL7035/D)
 9 White(RAL1102)
 C Green(RAL6018/U)

G RoHS compliant (lead<4%)
 In copper Alloy

0000:"@“Logo (Standard)
 000A:"ANYTEK“Logo

Any special item by customer request, please contact sales department.

SIGN	DATE	DESCRIPTION	APPROVER
\triangle	2008.12.02	Add the tolerance table	Jacke
\triangle	2008.12.02	Add the inspection dimension	Jacke
\triangle	2008.12.02	The temperature changed from -30°C, +105°C to -40°C,+115°C	Jacke
\triangle	2008.12.16	The dimension changed from 1.1mm to 1.06mm+0.05/-0	Jacke
\triangle	2009.04.19	Add TUV standard	Jacke
\triangle	2013.11.19	Update the drawing	Chen Bo

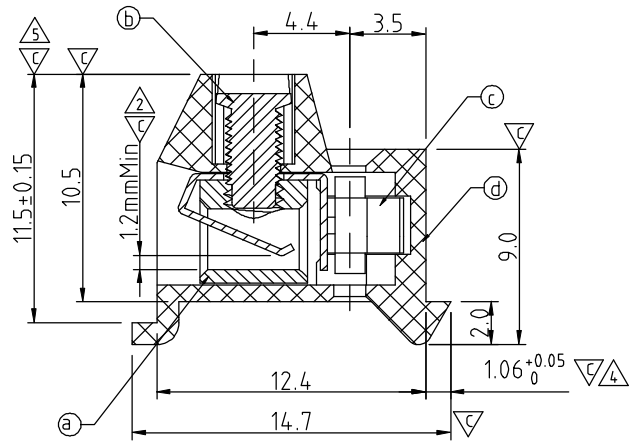
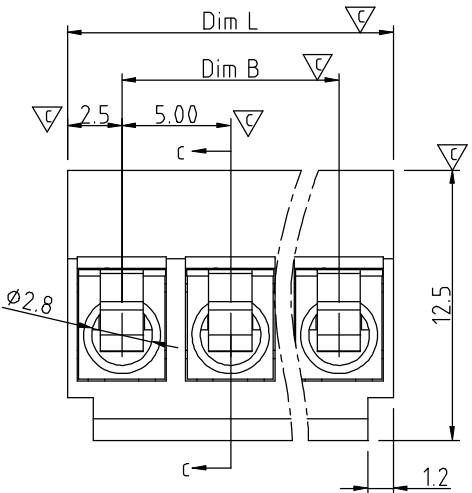
THIS IS CAD DRAWING, DO NOT REVISE MANUALLY!!!

Material

- Item (a) Terminal body(metal housing): Brass (Cu Zn)
- Item (b) Terminal screw: Steel Zinc plating "-" slot type
- Item (c) Wire guard: PhBz,tin plated
- Item (d) Terminal (housing): Thermoplastic (UL94V-0)

Electrical cULus TUV

- Voltage rating: 300VAC /300VAC
- Current rating: 10A /10A
- Wire range: 0.2-2.5mm
- Solid wire(AWG): 14-26/14-26
- Stranded wire(AWG): 14-26/14-26
- Torque: 3.5Lb-In /0.4Nm
- Screw: M2.6
- Wire strip length: 6-7mm
- Withstanding Voltage: 1.6KV/2.5KV
- Operating temperature: -40°C to +115°C
- Safety Approval: cULus TUV
- Critical dimension: \triangle



SECTION C-C



Dimension

Dim L	Nx5.0
Dim B	(N-1)x5.0

N= Number of poles

Poles	Tolerance
2P-6P	±0.15
7P-12P	±0.20
13P-18P	±0.25
19P-24P	±0.30

ANYTEK				CUSTOMER COPY					
								ALL RIGHTS RESERVED. REPRODUCTION OR ISSUE TO THIRD PARTIES IN ANY FORM WHATSOEVER IS NOT PERMITTED WITHOUT WRITTEN AUTHORITY FROM THE PROPRIETOR. PROPERTY OF ANYTEK TECHNOLOGY CO., LTD	
TITLE		TY-5.0mm Series (two beam contact)				DWG NO.		8TY0001	
PART NO.		TYxx01x0xxxxG				DWG NO.		8TY0001	
APPROVED		CHECKED		DESIGNED		DRAWN		CUST NO.	
				Chen Bo 11/19`13		Chen Bo 11/19`13			
								Tolerance	
								X. ±0.50	
								X.X ±0.30	
								X.XX ±0.10	
								X° ±1°	

X-ON Electronics

Largest Supplier of Electrical and Electronic Components

Click to view similar products for [Pluggable Terminal Blocks](#) category:

Click to view products by [Amphenol](#) manufacturer:

Other Similar products are found below :

[57.510.0053](#) [MC 1.5/ 6-ST-3.5 GY AU](#) [734-104](#) [734-302](#) [8-141-P](#) [8426620000](#) [860505](#) [860810](#) [GBPACX-12](#) [93.731.4953.0](#) [PV05-5,08-K](#)
[PVP04-3,50](#) [PVS02-5,00](#) [1-1986160-3](#) [1377680000](#) [1531000000](#) [1546228-5](#) [ELFH16150](#) [ELFP03110](#) [ELFP10210](#) [ELFT06250](#)
[ELVP03100](#) [1700410](#) [1700425](#) [1702246](#) [1717806](#) [1719600](#) [1734692](#) [1734795](#) [1740291](#) [1752441](#) [1752865](#) [1754144](#) [1760051](#) [1760336](#)
[1777701](#) [1783410](#) [1800227](#) [1801080](#) [1836888](#) [1848818](#) [1849079](#) [1860870](#) [1876327](#) [1896417](#) [1903096](#) [19346](#) [1946309](#) [1970579](#) [1973592](#)