

Note: 3P Cover for odd poles
2p Cover for even poles

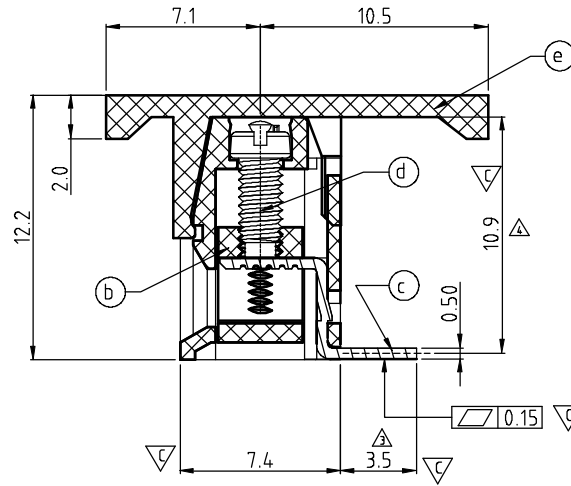
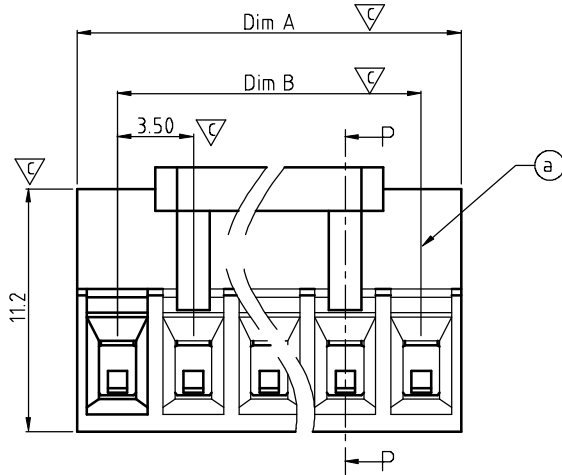
Poles	Dim C
2P	7.00
3P	10.50

DIMENSION

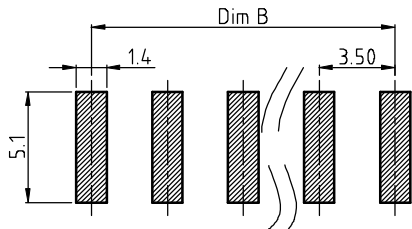
Dim A	NX3.50+0.20
Dim B	(N-1)X3.50

N=NUMBER OF POLES

Poles	Tolerance
2p-6p	±0.15
7p-12p	±0.25
13p-16p	±0.30



SECTION P-P



P.C.B. LAYOUT

SIGN	DATE	DESCRIPTION	APPROVER
△	05/02`12	Operating temperature is changed from -45°C to +130°C to -45°C to +65°C	Guoxue
△	05/02`12	The description of material are changed	Guoxue
△	05/02`12	The dimension is change from 3.6 to 3.5	Guoxue
△	05/02`12	The dimension is change from 10.8 to 10.9	Guoxue
△	09/22`14	Add the safety certification icon & changed The description of material	Evan
△	09/22`14	Operating temperature & reflow soldering temperature is changed	Evan

THIS IS CAD DRAWING, DO NOT REVISE MANUALLY!!!

Material:

- △ △ ● Item ① Terminal housing: LCP (UL94V-0)
- Item ② Clamp: Brass ,Ni plated
- Item ③ Wire guard solder pin: Brass ,Tin plated
- Item ④ Terminal screw: Steel Zinc plating "-" slot type
- △ △ ● Item ⑤ Terminal Cover: LCP (UL94V-0)

Electrical cULus

- Voltage rating: 300VAC
- Current rating: 10A
- Wire range:
- Solid wire(AWG): 16-30
- Stranded wire(AWG): 16-30
- Torque: 1.7 Lb-In
- Screw: M2.0
- Wire strip length: 4-5mm
- Withstanding Voltage: 16KV
- △ △ ● Operating temperature: -45°C to +130°C
- △ ● Reflow soldering temperature: 260°C/10 Sec max
- △ ● Safety Approval: cULus
- Critical dimension: ∇

TZ xx 21 x 3 xxxx G

No. of poles 0 Black (RAL9005)

02 2 POLES

03 3 POLES

... ..

16 16 POLES

RoHS compliant
(lead<4%)
In copper Alloy

B000:"@Logo (Standard)

B00A:"ANYTEK"Logo

Any special item by
customer request,
please contact sales
department.

ANYTEK

CUSTOMER COPY

ALL RIGHTS RESERVED. REPRODUCTION OR ISSUE TO THIRD PARTIES IN ANY FORM WHATSOEVER IS NOT PERMITTED WITHOUT WRITTEN AUTHORITY FROM THE PROPRIETOR. PROPERTY OF ANYTEK TECHNOLOGY CO., LTD

TITLE	TZ-3.5mm Series 2P-16P Without pillar (With cover & tape reel)						
PART NO.	TZxx21x3xxxxG			DWG NO.	8TZ0203		
APPROVED	CHECKED	DESIGNED	DRAWN	CUST NO.	Tolerance		
		Evan 2014.09.22	Evan 2014.09.22		UNIT: mm		X. ±0.50
					SCALE: NONE		X.X ±0.30
					SHEET: 01/01		X.XX ±0.10
					REV.: D		X° ±1°

X-ON Electronics

Largest Supplier of Electrical and Electronic Components

Click to view similar products for [Fixed Terminal Blocks](#) category:

Click to view products by [Amphenol](#) manufacturer:

Other Similar products are found below :

[MBE-1512](#) [MBE-1520](#) [MBE-154](#) [MBE-156](#) [MBES-156](#) [MH-2512](#) [MHE-132](#) [MHE-163](#) [MI-254 \(35\)](#) [MI-272](#) [MPT-275](#) [ELM10110G](#)
[BA311TU](#) [BA411SU](#) [MV-253/NCNOC](#) [MV-254-D](#) [MV-255](#) [MV-493](#) [MVE-252](#) [MVE-253](#) [MVE-273](#) [MVEB-153](#) [1700096](#) [1705142](#)
[1712417](#) [1713088](#) [1745195](#) [1760594](#) [1-796689-8](#) [1-796692-6](#) [1800114](#) [20020314-C121B01LF](#) [20020316-G041B01LF](#) [KP03215000J0G](#)
[KP04215000J0G](#) [S451](#) [29.007](#) [29.116](#) [30.103](#) [30.106](#) [30.503](#) [30.608](#) [30.755](#) [30.756](#) [30.853](#) [9872-0-00-15-00-00-33-0](#) [996750](#) [1706303](#)
[1710052](#) [1712418](#)