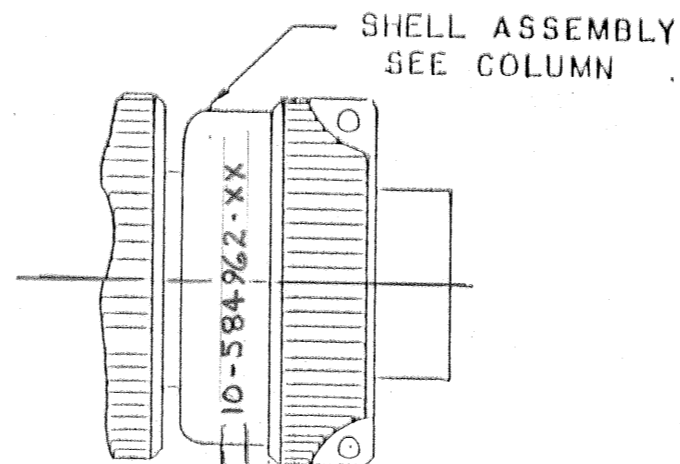


ACCESSORIES
(NOT PART OF STANDARD ASSEMBLY)

GROMMET SEALING ROD		
CONTACT SIZE	SEALING ROD PART NUMBER	OD.
16M	10-36750-1	.125
16M	-6	.090
12	-2	.156
8	-3	.218
4	-4	.312
0	-5	.500

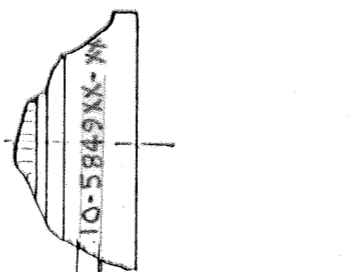
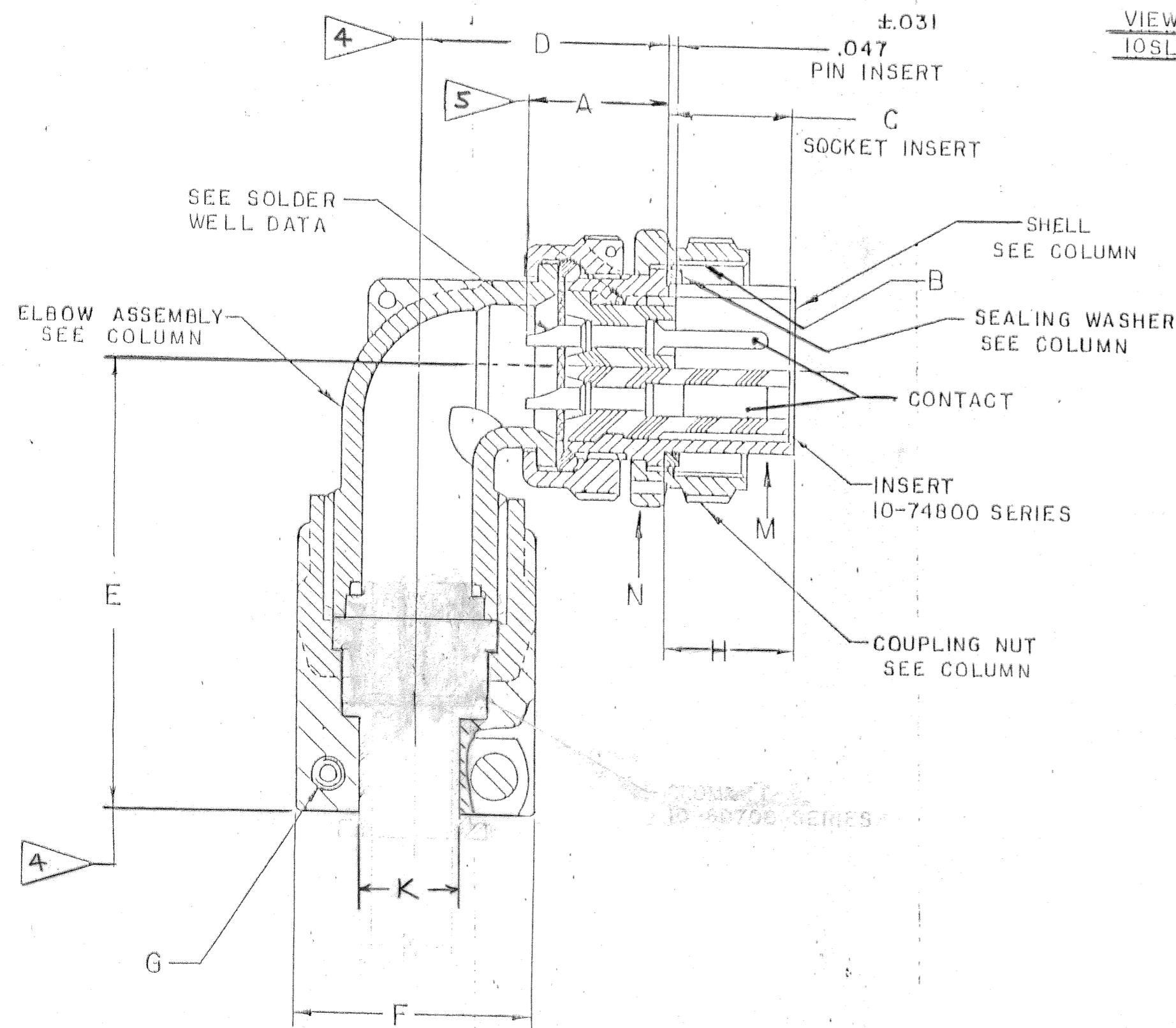
ALL UNUSED GROMMET HOLES MUST BE FILLED WITH GROMMET SEALING ROD. ROD LENGTH TO BE EQUAL TO GROMMET LENGTH. LOCATE ROD APPROXIMATELY FLUSH WITH BACK OF GROMMET.

REVISIONS			
LTR	DESCRIPTION	DATE	APPVD
A	INITIAL RELEASE NUM: <u>1009A-313</u>		
B	(CLII) SEE ECN 85846	8/20/98	J. Balan
C	(CLII) SEE CHANGE NOTICE ECN:A2524	9/27/10 Prescott	



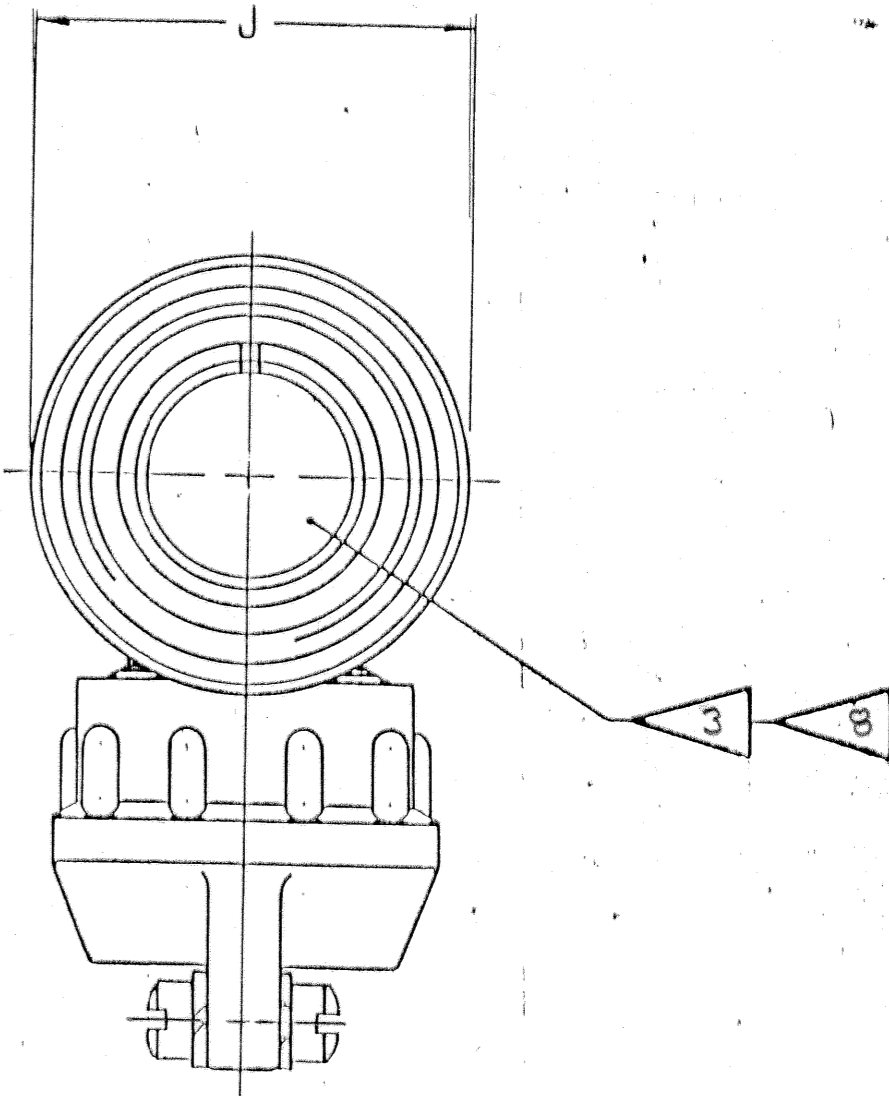
VIEW AT N
IOSL ONLY

WHITE INK
STAMP "AMPHENOL" ASSY NO.
PER 9-3856-5
EXAMPLE:
10-584962-35
NUT MUST TURN FREELY
AFTER STAMPING



WHITE INK
STAMP ASSY NO.
OPPOSITE KEYWAY
PER 9-3856-5
EXAMPLE:
10-584970-125

VIEW AT M
EXCEPT IOSL



NOTES:

THE USE OF THIS DOCUMENT IS UNLIMITED. HOWEVER, DOCUMENTS REFERENCED HEREON MAY CONTAIN LIMITED RIGHTS DATA.

COMPANY ID: 9
INTERNAL: N
DATE CODE: N

CODED/MS/CUST: N
LOT NO: N
SEE DRAW: N

STAMPING DATA

NEXT ASSEMBLY

UNLESS OTHERWISE SPECIFIED	SPECIFICATIONS	POS	QTY	PART NUMBER	DESCRIPTION	NOTE
LINEAR DIMENSIONS ARE IN INCHES TOLERANCES: XXXX = ±.0005 XXX = ±.010 XX = ±.03 X = ±.J ANGLES = ±2° OTHER STANDARDS PER 9-3100 AND DOD-D-1000 THIRD ANGLE PROJECTION	MATERIAL SPEC.	APPROVALS		DATE	PARTS LIST	
	PROCESS SPEC.	PREPARED: J. DEMATTEO CHECKED: J. DEMATTEO DRAWN: J. DEMATTEO APPROVED: J. DEMATTEO		8-24-98 8-25-98 8/25/98 8/25/98	AMPHENOL CORPORATION CONNECTOR OPERATIONS SIDNEY, N.Y. CONNECTOR, ELECTRICAL PLUG TYPE SG(C) MC-90° BLACK ZINC ALLOY PLATE	
	TEST 9-3106-3 ASSY 9-3103-2 9-2437, 9-3856-5	PROJ/ENG INFORMATION		MODEL NAME DRAFT FORMAT	SIZE: C FSCH NO: 77820 DOCUMENT NO: 10-584960/979	REV: C SHEET 1 OF 2
				SCALE:	REF: 10-2620 80/099	

FAMCODES DATA3:ANS MNS CICS:1497

TAB.

DETAILS							DIMENSIONS									
ASSEMBLY NUMBER	SG NUMBER REF	SHELL	COUPLING NUT	CABLE CLAMP ASSEMBLY	ELBOW ASSEMBLY	SEALING WASHER	A ±.045	B THREAD CLASS 2B	C ±.047 -.000	D MAX	E MAX	F MAX	G THREAD REF CLASS 2	H ±.005	J DIA	K MAX OLD CABLE
10-584960-	3108E8S (SR)	NOT AVAILABLE		NOT AVAILABLE							NOT AVAILABLE	NOT AVAILABLE				NOT AVAILABLE
10-584961-	10S-	10-37266-10Y	10-37265-10Y	NOT AVAILABLE	10-35922-10Y	10-035957-081	.562	.6250-24UNEF	.531	.927	NOT AVAILABLE	NOT AVAILABLE	6-32NC	.531	.869	NOT AVAILABLE
10-584962-	10SL-	10-113488-11Y SHELL ASSY		10-823955-4	-12Y	10-035957-081	.562	.6250-24UNEF	.531	.951	1.459	.894		.531	.946	.312
10-584963-	12S-	0-37266-12Y	10-37265-12Y	-4	-12Y	10-035957-101	.562	.7500-20UNEF	.531	.956	1.459	.894		.531	.995	.312
10-584964-	12-	-13Y	-13Y	-4	-13Y	10-035957-101	.812	.7500-20UNEF	.719	1.143	1.459	.894		.719	.995	.312
10-584965-	14S-	-14Y	-14Y	-7	-14Y	10-035957-121	.562	.8750-20 UNEF	.531	1.020	1.586	1.083		.531	1.123	.438
10-584966-	14	-15Y	-15Y	-7	-15Y	10-035957-121	.812	.8750-20UNEF	.719	1.207	1.586	1.083		.719	1.123	.438
10-584967-	16S-	-16Y	-16Y	-8	-16Y	10-035957-141	.562	1.0000-20UNEF	.531	1.146	1.711	1.181		.531	1.250	.531
10-584968-	16-	-17Y	-17Y	-8	-17Y	10-035957-141	.812	1.0000-20UNEF	.719	1.333	1.711	1.181		.719	1.250	.531
10-584969-	18-	-18Y	-18Y	-10	-18Y	10-035957-161		1.1250-18UNEF		1.395	1.810	1.300			1.333	.625
10-584970-	20-	-20Y	-20Y	-12	-20Y	10-035957-181		1.2500-18UNEF		1.598	1.874	1.487	8-32 NC		1.461	.750
10-584971-	22-	-22Y	-22Y	-12	-22Y	10-035957-201		1.3750-18UNEF		1.598	1.936	1.487			1.588	.750
10-584972-	24-	-24Y	-24Y	-16	-24Y	10-035957-221		1.5000-18UNEF		1.786	2.165	1.712			1.715	.938
10-584973-	28-	-28Y	-28Y	-16	-28Y	10-035957-241		1.7500-18UNEF		1.786	2.229	1.712			1.968	.938
10-584974-	32-	-32Y	-32Y	-20	-32Y	10-035957-281		2.0000-18UNEF		2.020	2.477	2.063	10-32NF		2.209	1.250
10-584975-	36-	-36Y	-36Y	-24	-36Y	10-035957-321		2.2500-16UN		2.145	2.603	2.283			2.463	1.375
10-584976-	40-	-40Y	-40Y	NOT AVAILABLE	-40Y	10-035957-361		2.5000-16UN		2.270	NOT AVAILABLE	NOT AVAILABLE			2.718	NOT AVAILABLE
10-584977/979		NOT AVAILABLE									NOT AVAILABLE	NOT AVAILABLE				NOT AVAILABLE



- 7. ALL LOCKWIRE HOLES ARE .045 DIA MIN.
- 6. TO COMPLETE ASSEMBLY NUMBER & SG NUMBER REF ADD APPLICABLE INSERT ARRANGEMENT SUFFIX TO BASE NUMBERS LISTED ABOVE. (FOR ALTERNATE ARRANGEMENTS, SEE 9-2437).

CONTACT SIZE	0	4	8	12	16M
WELL DIA	469 ⁺⁰⁰⁵ ₋₀₀₃	332 ⁺⁰⁰⁵ ₋₀₀₃	209 ⁺⁰⁰⁴ ₋₀₀₂	116 ⁺⁰⁰⁴ ₋₀₀₂	078 ⁺⁰⁰⁴ ₋₀₀₂
WELL DEPTH	.625	.625	.500	.375	.250

- 5. INCREASE A DIMENSION BY .312 FOR SIZE "0" CONTACT ONLY.
- 4. DIMENSIONS INDICATE FINAL INSTALLATION. FOR STORAGE AND SHIPPING, CLAMP ASSEMBLY AND ELBOW ASSEMBLY MUST BE LOOSELY COUPLED.
- 3. FOR CONTACT SIZE, SPACING & SERVICE RATING SEE DRAWINGS MIL-STD-1651 & L-11908-1) THRU L-11940-1).
- 2. UNITS ILLUSTRATED MEET THE APPLICABLE REQUIREMENTS OF MIL-C-5015.
- 1. SEE SEPARATE PARTS LIST FOR COMPONENT PART NUMBERS AND QUANTITIES.
- 11. FOR OPTIMUM MOISTURE RESISTANCE CABLE DIAMETERS MUST BE WITHIN 58% OF MAXIMUM FOR EACH CONTACT SIZE. FOR SMALLER CABLES, USE WATERPROOF SLEEVING.
- 10. SEE DRAWINGS 10-584660 THRU 10-584679 & OTHERS FOR MATING RECEPTACLE ASSEMBLIES.
- 9. SEE WORK ORDER FOR PERMISSIBLE ADDITIONAL OR ALTERNATE STAMPING.
- 8. INSERTS & CONTACTS ARE REMOVABLE.

THE USE OF THIS DOCUMENT IS UNLIMITED. HOWEVER, DOCUMENTS REFERENCED HEREON MAY CONTAIN LIMITED RIGHTS DATA.

SIZE	ESCH NO	DOCUMENT NO	REV.
C	77820	10-584960/979	C
SCALE:	REF: 10-262080/099	SHEET 2 OF 2	

10-584960/979

X-ON Electronics

Largest Supplier of Electrical and Electronic Components

Click to view similar products for [I/O Connectors](#) category:

Click to view products by [Amphenol](#) manufacturer:

Other Similar products are found below :

[571763P](#) [D20419-211](#) [D38999/20FJ24PA L/C](#) [D38999/24FG11SN L/C](#) [72.250.1628.2](#) [72.250.2428.2](#) [76.350.0729.0](#) [76871-1403](#) [PCR-E36PM](#) [PCS-XE26LKA](#) [PCS-XES68MS+](#) [G38A71314B](#) [9776-18-6](#) [DX40-50P\(55\)](#) [1571250010](#) [157-22500-3](#) [MS3471L14-19P L/C](#) [192991-0703](#) [FCN-260C008-A/L0](#) [FCN-260C024-AL0](#) [FCN-261Z008](#) [2000314-1](#) [200331-1](#) [PCS-E28FS+](#) [PCS-XE26SLFD+](#) [PCS-XE26SLFDT+](#) [G730VID08BDC24](#) [HDMR-29-01-S-SM-TR](#) [HDRA-E68W1LFDTC-SL+](#) [54182-0605](#) [U90B2054081210](#) [UE86K842720321](#) [38113800006](#) [Z4.102.0680.0](#) [500-1040](#) [500-1052](#) [500-1054](#) [ZP-4008-66L](#) [DX40-20P\(55\)](#) [5554841-1](#) [SM3100F14S-12P](#) [SM3106F14S-7S-LC](#) [SM3106R18-18S](#) [U90B3054061110](#) [U65-E04-4020](#) [557-262M2-06C](#) [60-042222-02S](#) [10099439-003C-TRLF](#) [226-0348-000](#) [10137239-0021LF](#)