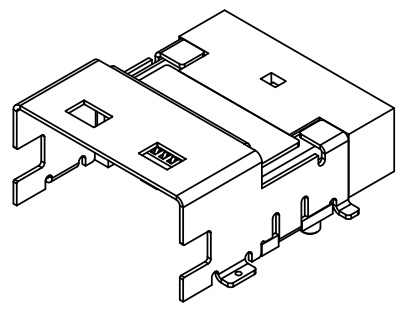
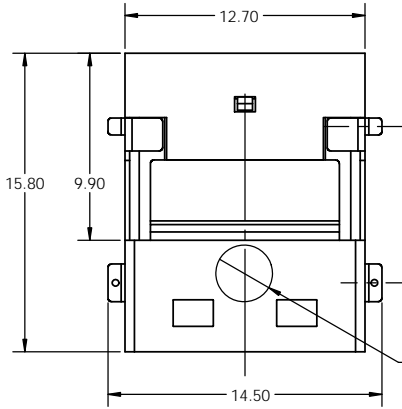
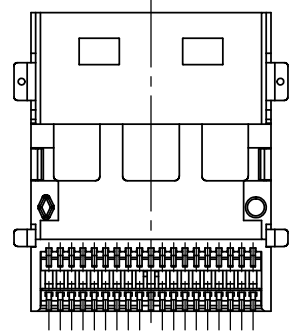
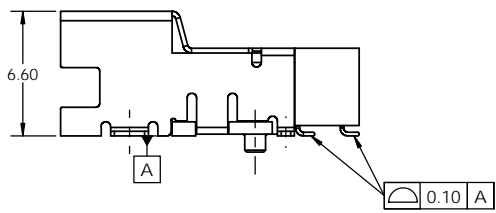
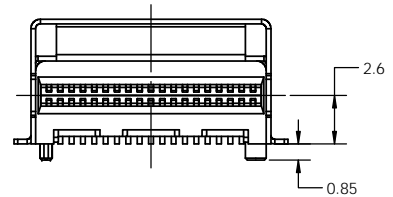


REVISIONS			
REV	DESCRIPTION, ECN, EAR NO.	DATE	APP'D
F	UPDATE DESCRIPTION	APR06/16	JS



Ø3.00  
RECOMMENDED PICK UP AREA



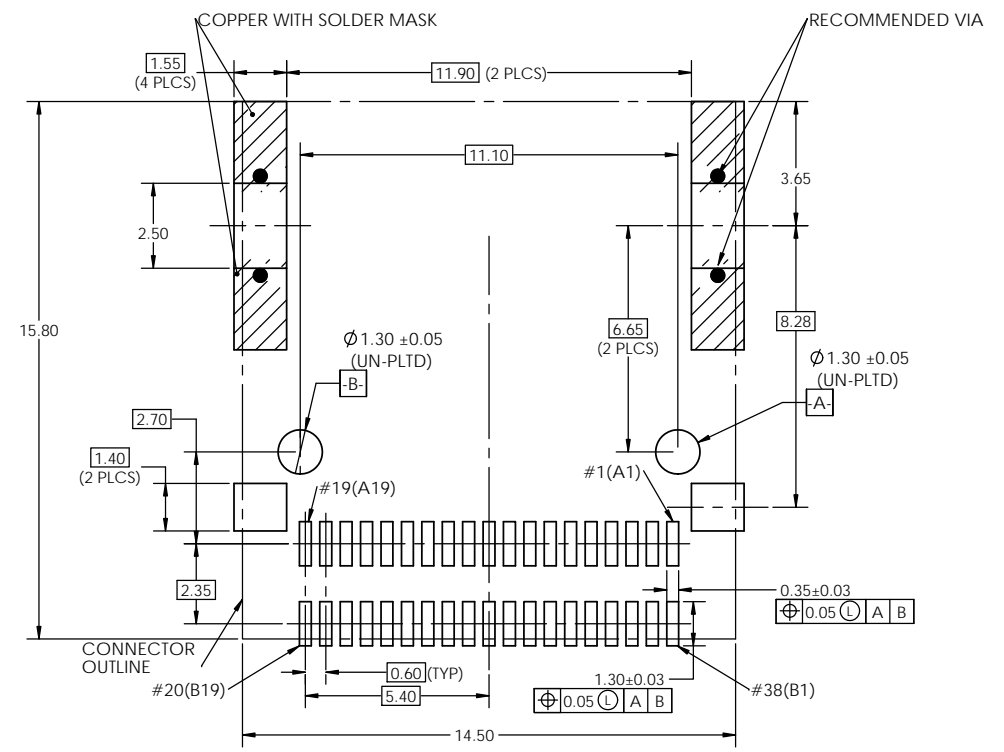
U10 - C038 - X 1 X X

**OPTIONS**

- 0I = STANDARD CONSTRUCTION WITH TAPE & REEL PACKAGING
- 1I = NO RESONANCE DAMPING WITH TAPE & REEL PARKAGING

**CONTACT PLATING OPTION**

- 2 = 30 MICROINCHES OF GOLD ON MATING END WITH 100 MICROINCHES MINIMUM OF MATTE TIN ON SOLDER TERMINATION. 50-75 MICROINCHES OF NICKEL UNDERPLATE ALL OVER
- 3 = 15 MICROINCHES OF GOLD ON MATING END WITH 100 MICROINCHES MINIMUM OF MATTE TIN ON SOLDER TERMINATION. 50-75 MICROINCHES OF NICKEL UNDERPLATE ALL OVER



**NOTES:**

- 1) MATERIAL:  
HOUSING: SOLDER REFLOW PROCESS COMPATIBLE LCP, UL94V-0  
CONTACTS: HIGH PERFORMANCE COPPER ALLOY  
LATCH: PHOSPHOR BRONZE  
RESONANCE DAMPENING FEATURE: SEMI-CONDUCTIVE POLYMER
- 2) RoHS COMPLIANT



THIS DOCUMENT CONTAINS PROPRIETARY INFORMATION AND SUCH INFORMATION MAY NOT BE DISCLOSED TO OTHERS FOR ANY PURPOSE OR USED FOR MANUFACTURING PURPOSES WITHOUT WRITTEN PERMISSION FROM AMPHENOL CANADA CORP.

UNLESS SPECIFIED OTHERWISE	DRAWN	J.SI	DEC12/14
PRIMARY UNITS	MILLIMETERS	CHECKED	
SECONDARY	REFERENCE IN PARENTHESES	M.E. APP'D	
GENERAL TOLERANCES	ENG. REL. NO.	Q.A. APP'D	
1 DECIMAL PLACE	±0.35	DWG APP'D	
2 DECIMAL PLACES	±0.25	ENG. REL. NO.	ECN TBD
3 DECIMAL PLACES	±0.15	REF.	
ANGULAR DEGREES	±2°	THIRD ANGLE PROJECTION	
		DO NOT SCALE DRAWING	

**Amphenol High Speed Interconnects**  
A Division of Amphenol Corp. [www.amphenolcanada.com](http://www.amphenolcanada.com)

**ULTRAPORT SLIMSAST™ 4X24 R/A RECEPTACLE WITH SMT LATCH**

DWG. NO. **P-U10-C038-X1XX** REV **F**

CODE ID NO. **03554** DWG SIZE: **C** SCALE: **5:1** SHEET **1 OF 1**

## X-ON Electronics

Largest Supplier of Electrical and Electronic Components

*Click to view similar products for [I/O Connectors](#) category:*

*Click to view products by [Amphenol](#) manufacturer:*

Other Similar products are found below :

[571763P](#) [58098-0628](#) [72.250.1628.2](#) [72.250.2428.2](#) [74720-0505](#) [76.350.0729.0](#) [76871-1403](#) [FCN-244F080-G/1](#) [FCN-260A9920](#) [PCR-E36PM](#) [PCS-XE26MA+](#) [G38A71314B](#) [1571250010](#) [157-22500-3](#) [MS3471L14-19P L/C](#) [192991-0703](#) [172501-4002](#) [172501-6002](#) [FCN-260C008-A/L0](#) [FCN-260C024-AL0](#) [FCN-261Z008](#) [2000314-1](#) [200331-1](#) [PCR-E36FC+](#) [PCS-E28FS+](#) [PCS-XE26SLFD+](#) [PCS-XE26SLFDT+](#) [G730VID08BDC24](#) [U90B2054081210](#) [UE86K842720321](#) [38113800006](#) [DP3AR020WQ1R200](#) [Z4.102.0680.0](#) [500-1040](#) [500-1052](#) [500-1054](#) [ZP-4008-66L](#) [0709821002](#) [DX40-20P\(55\)](#) [5554841-1](#) [MS3474W18-8P-LC\\*](#) [SM3106F14S-7S-LC](#) [U90B3054061110](#) [U65-E04-4020](#) [ZPF000000000097891](#) [557-262M2-06C](#) [747360449](#) [10099439-003C-TRLF](#) [10137239-0021LF](#) [E9320-001-01](#)