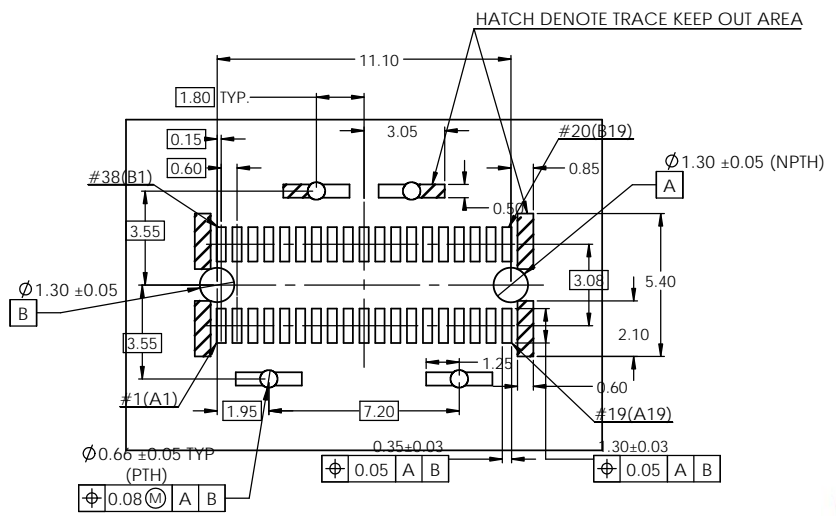
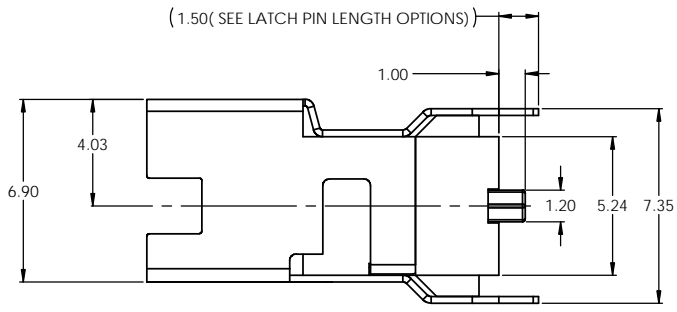
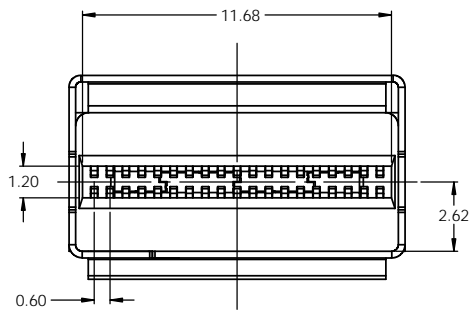
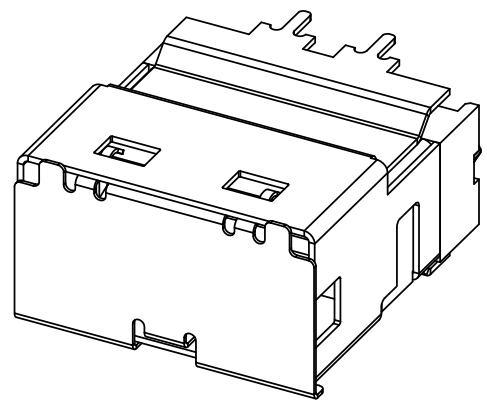
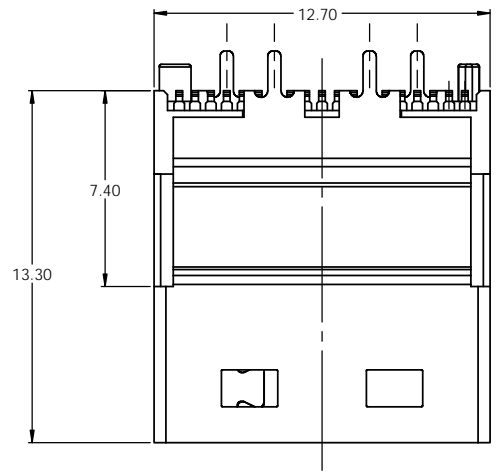


REVISIONS			
REV	DESCRIPTION, ECN, EAR NO.	DATE	APP'D
K	UPDATE DESCRIPTION	APR06/16	JS



U10 - D038 - X X X X

- OPTIONS**
- 0I** = STANDARD CONSTRUCTION (24G) WITH TAPE & REEL PACKAGING
 - 1I** = NO RESONANCE DAMPING FEATURE (12G) WITH TAPE & REEL PACKAGING
- LATCH PTH PIN LENGTH OPTIONS**
- 0** = 1.50
 - 1** = 2.20
 - 8** = 3.00
 - 9** = 4.20
- CONTACT PLATING OPTIONS**
- 2** = 30 MICROINCHES OF GOLD ON MATING END WITH 100 MICROINCHES MINIMUM OF MATTE TIN ON SOLDER TERMINATION. 50-75 MICROINCHES OF NICKEL UNDERPLATE ALL OVER
 - 3** = 15 MICROINCHES OF GOLD ON MATING END WITH 100 MICROINCHES MINIMUM OF MATTE TIN ON SOLDER TERMINATION. 50-75 MICROINCHES OF NICKEL UNDERPLATE ALL OVER

NOTES:

- MATERIAL:
 HOUSING: SOLDER REFLOW PROCESS COMPATIBLE LCP, UL94V-0
 CONTACTS: HIGH PERFORMANCE COPPER ALLOY
 LATCH: PHOSPHOR BRONZE
 RESONANCE DAMPENING FEATURE: SEMI-CONDUCTIVE POLYMER
- RoHS COMPLIANT



UNLESS SPECIFIED OTHERWISE	DRAWN	A.ALIM	DEC04/13
PRIMARY UNITS	MILLIMETERS	CHECKED	BA P
SECONDARY	INCHES	M.E. APP'D	SEP12/14
REFERENCE IN PARENTHESES	Q.A. APP'D	DWG APPR.	ZLJ
GENERAL TOLERANCES	ENG. REL. NO.	ECN	TBD
1 DECIMAL PLACE	±0.35	REF.	
2 DECIMAL PLACES	±0.25	THIRD ANGLE PROJECTION	
3 DECIMAL PLACES	±0.15	DO NOT SCALE DRAWING	
ANGULAR DEGREES	±2°		

Amphenol High Speed Interconnects
 A Division of Amphenol Corp. www.amphenolcanada.com

ULTRAPORT SLIMSAS™ 4X24 VERTICAL RECEPTACLE WITH PIN INSIDE LATCH

DWG. NO. **P-U10-D038-XXXX** REV **K**

CODE ID NO. **03554** DWG SIZE: **C** SCALE: **7** SHEET **1** OF **1**

X-ON Electronics

Largest Supplier of Electrical and Electronic Components

Click to view similar products for [I/O Connectors](#) category:

Click to view products by [Amphenol](#) manufacturer:

Other Similar products are found below :

[571763P](#) [58098-0628](#) [72.250.1628.2](#) [72.250.2428.2](#) [74720-0505](#) [76.350.0729.0](#) [76871-1403](#) [FCN-244F080-G/1](#) [FCN-260A9920](#) [MP-5T180MUNNA-005](#) [PCR-E36PM](#) [PCS-XE26MA+](#) [G38A71314B](#) [1571250010](#) [157-22500-3](#) [MS3471L14-19P L/C](#) [192991-0703](#) [172501-4002](#) [172501-6002](#) [FCN-260C008-A/L0](#) [FCN-260C024-AL0](#) [FCN-261Z008](#) [2000314-1](#) [200331-1](#) [PCR-E36FC+](#) [PCS-E28FS+](#) [PCS-XE26SLFD+](#) [PCS-XE26SLFDT+](#) [G730VID08BDC24](#) [HDR-E14MSG1+](#) [U90B2054081210](#) [UE86K842720321](#) [38113800006](#)
[DP3AR020WQ1R200](#) [Z4.102.0680.0](#) [500-1040](#) [500-1052](#) [500-1054](#) [ZP-4008-66L](#) [0709821002](#) [DX40-20P\(55\)](#) [5554841-1](#) [MS3474W18-8P-LC*](#) [SM3106F14S-7S-LC](#) [U90B3054061110](#) [U65-E04-4020](#) [ZPF000000000097891](#) [557-262M2-06C](#) [747360449](#) [10099439-003C-TRLF](#)