

NOTES:

1. ELECTRICAL:
 - A. IMPEDANCE: 50Ω (NOMINAL)
 - B. FREQUENCY RANGE: DC-6.0 GHz
 - C. CONTACT RESISTANCE: CENTER CONTACT: 20mΩ MAX
OUTER CONTACT: 20mΩ MAX.
 - D. INSULATION RESISTANCE: 500MΩ MIN.: MEASURED AT 100 VDC FOR 1 MINUTE
 - E. D.W.V: 200 VRMS(AC) FOR 1 MINUTE.
 - F. VSWR: 1.3 MAX. (DC TO 3.0 GHz), 1.45 MAX. (3.0-6.0 GHz)
2. PHYSICAL:
 - A. DURABILITY: 30 CYCLES
 - B. TEMPERATURE RANGE: -40°C TO +85°C.
 - C. AMC4 CONNECTOR DEMATING FORCE: 5N MIN. (INITIAL), 3N MIN. (AFTER 30 CYCLES)
 - D. AMC4 INTERFACE IS FULLY COMPATIBLE WITH "818000501" SERIES PRODUCT.
3. MATERIALS AND FINISHES (MICRO-METERS):
 - CONNECTOR BODY: PHOSPHOR BRONZE, SILVER PLATED (0.76um MIN.) OVER COPPER (1-2)um
 - CONNECTOR CENTER CONTACT: PHOSPHOR BRONZE, GOLD PLATED (0.07um MIN.) OVER NICKEL (1.3-2.5)um
 - CONNECTOR INSULATOR: HIGH TEMP PLASTIC UL 94V-0, BLACK
 - CABLE JACKET: EXTRUDED FEP
 - CABLE DIELECTRIC: FEP
 - CABLE CENTER CONDUCTOR: ANNEALED COPPER WIRE STRANDED, SILVER PLATED
 - CABLE OUTER CONDUCTOR: ANNEALED COPPER WIRE BRAID, TIN PLATED

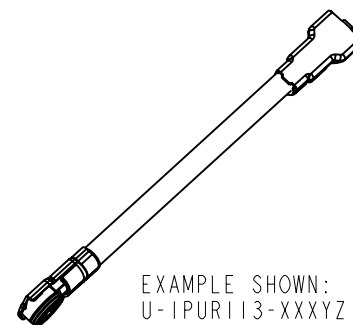
4 USS IS ECT MANUFACTURER'S NAME FOR AMC4

5. AMC4 IS FULLY COMPATIBLE WITH IPEX MH4 AND MURATA HSC

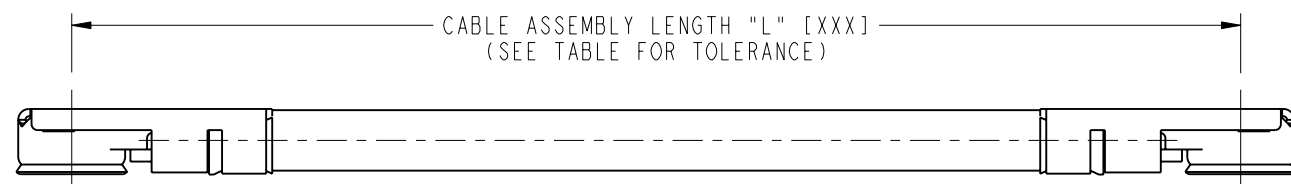
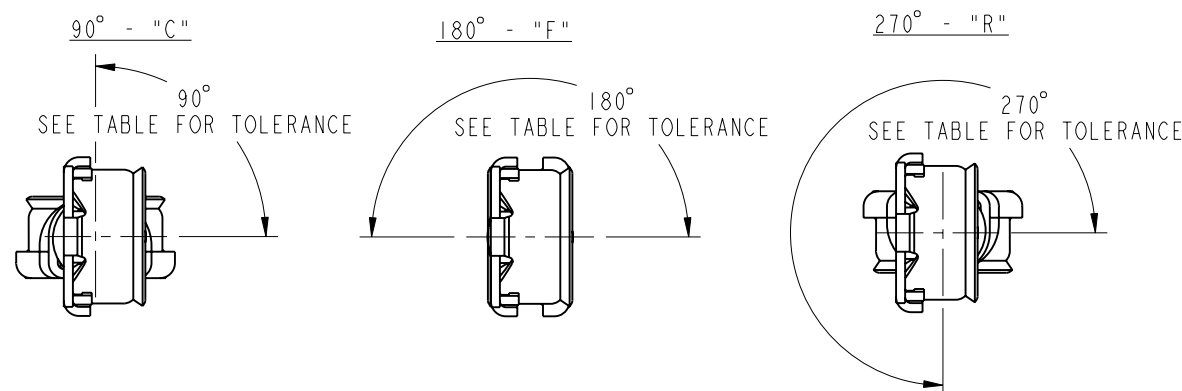
THIRD ANGLE PROJ.

REVISIONS

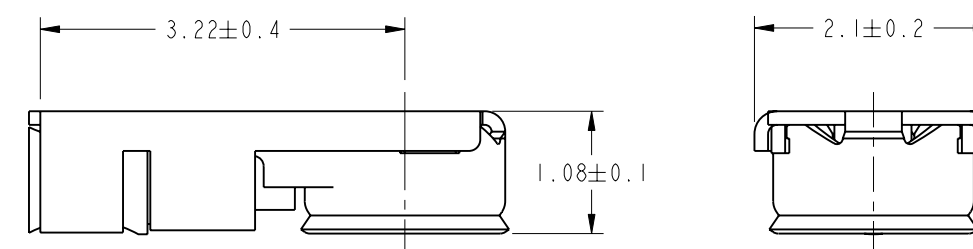
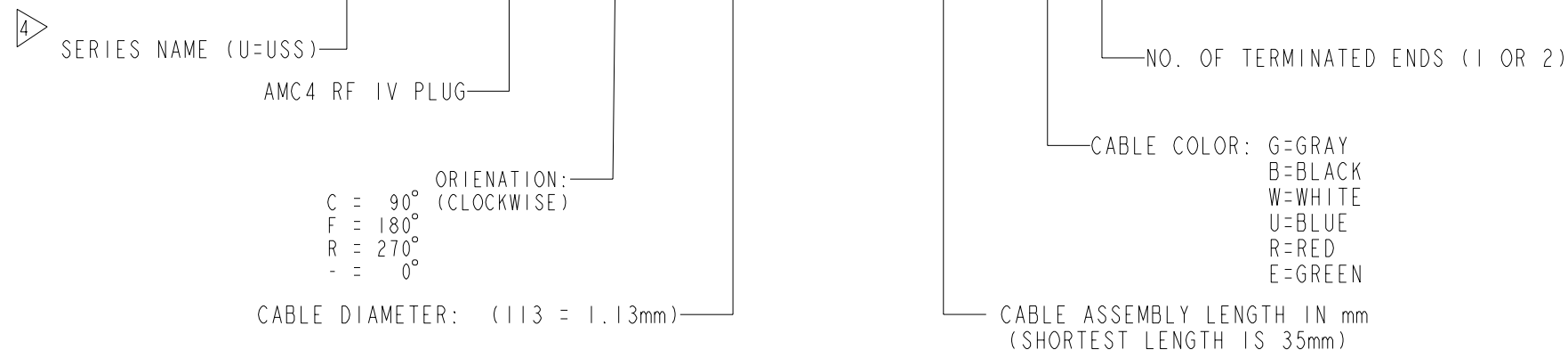
| REV | DESCRIPTION | DATE | ECO | APPR |
|-----|--------------------------------|-----------|------|------|
| A | RELEASE TO MFG. | 25-Feb-16 | | KZ |
| B | AMC4 WAS USS, ADD NOTE 4 AND 5 | 05-Jun-18 | 8268 | NB |



| CABLE ASSEMBLY TOLERANCE | | |
|--------------------------|----------------------------|--------------------------|
| OVERALL LENGTH L (mm) | STANDARD TOLERANCE (mm) | ORIENTATION TOLERANCE |
| 35<L<200 | ± 4 | ±30° |
| 201 < L 500 | ± 8 | ±45° |
| 501 < L 1000 | ± 12 | |
| 1001 < L | ±1.5 % | |



U - I P U X 1 1 3 - X X X Y Z



AMC4 RIGHT ANGLE PLUG

| | | | | | |
|--|---|----------------------|-------------------|-----------------------------------|-----------------------------------|
| UNLESS OTHERWISE SPECIFIED, DIMENSIONS ARE IN METRIC AND TOLERANCES ARE: <0.5mm ±0.05mm 0.5 - 6mm ±0.1mm 6 - 30mm ±0.2mm 30 - 120mm ±0.3mm ANGLES ±1° | MATERIAL | DRAWN K. ZHANG | DATE 25-Feb-16 | TITLE CABLE ASSY AMC4, PLUG | Amphenol RF www.amphenolrf.com |
| | REFERENCE EAR #6325 U-IPAG081-XXXXZ | ENGINEER FIGO | DATE 25-Feb-16 | | |
| | FINISH | APPROVED S. HSIEH | DATE 12-Jun-18 | ITEM NO. U-IPUX113-XXXXZ | |
| | | CAD FILE | SCALE: 8.0:1.0 | SHEET 1 OF 1 | |

X-ON Electronics

Largest Supplier of Electrical and Electronic Components

Click to view similar products for [RF Cable Assemblies](#) category:

Click to view products by [Amphenol](#) manufacturer:

Other Similar products are found below :

[73-6352-10](#) [73-6353-3](#) [73-6364-6](#) [R285001001](#) [R288940004](#) [R288940005](#) [145111-05-12.00](#) [1661-C-24](#) [1801171170914KE](#) [24P104C24J1-012](#) [24P104C24P1-006](#) [24P104C24P1-018](#) [24P204C24J1-003](#) [172-2150-EX](#) [1800920920914PJ](#) [FCB-3030-ALT](#) [21117-046](#) [21117-050](#) [PCX-24-50](#) [24P103C24P2-003](#) [25P203C25P2-003](#) [PTWY-24-78](#) [R284008001](#) [R285001021](#) [R285426000](#) [R288940003](#) [R288940008](#) [RF179-74BJ3-77RP1-0305](#) [4814-BB-24](#) [5260-72](#) [JT2N1-CL1-1F](#) [DLP-COAX1](#) [4814-K-48](#) [115101-09-06.00](#) [CCNTN2-MM-LL335-26](#) [73-6351-25](#) [73-6352-3](#) [73-6353-25](#) [1800920920610PJ](#) [GD0BQ0BQ024.0](#) [1-3636-600-5210](#) [TL8A-11SMA-11SMA-01500-51](#) [R284C0351060](#) [R288940009](#) [R284C0351028](#) [R288940002](#) [9702-1SL-1](#) [PT82NSMA](#) [73-6353-10](#) [R285020301W](#)