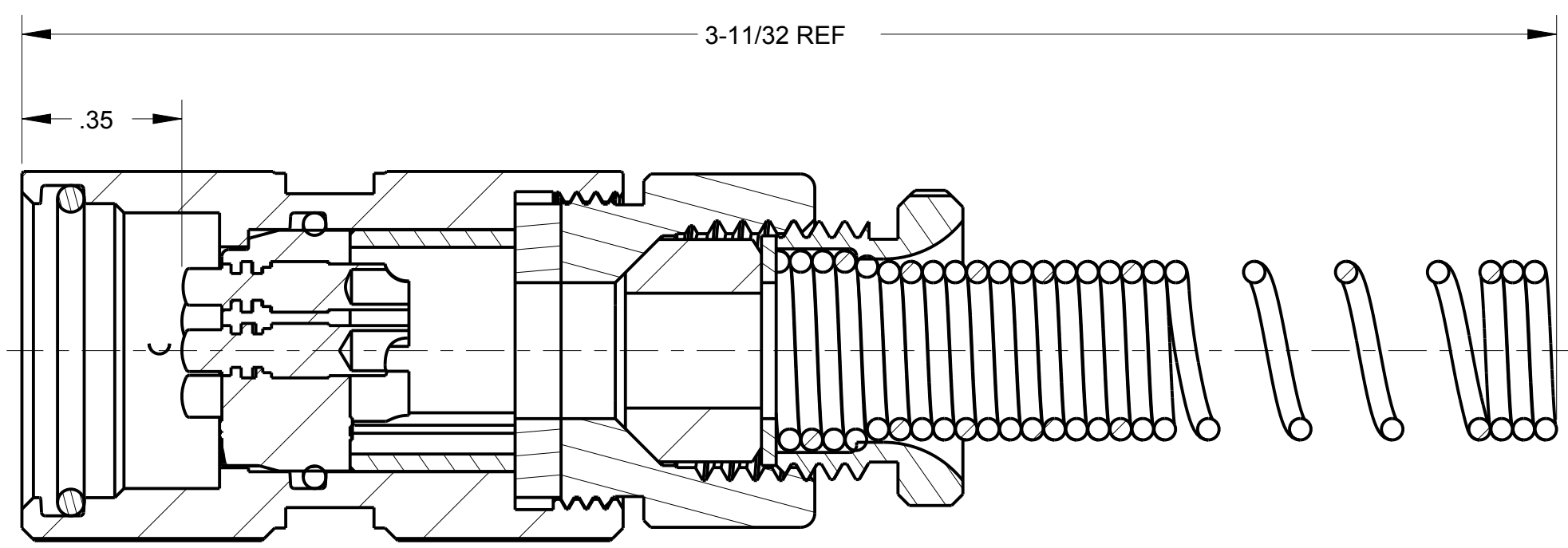
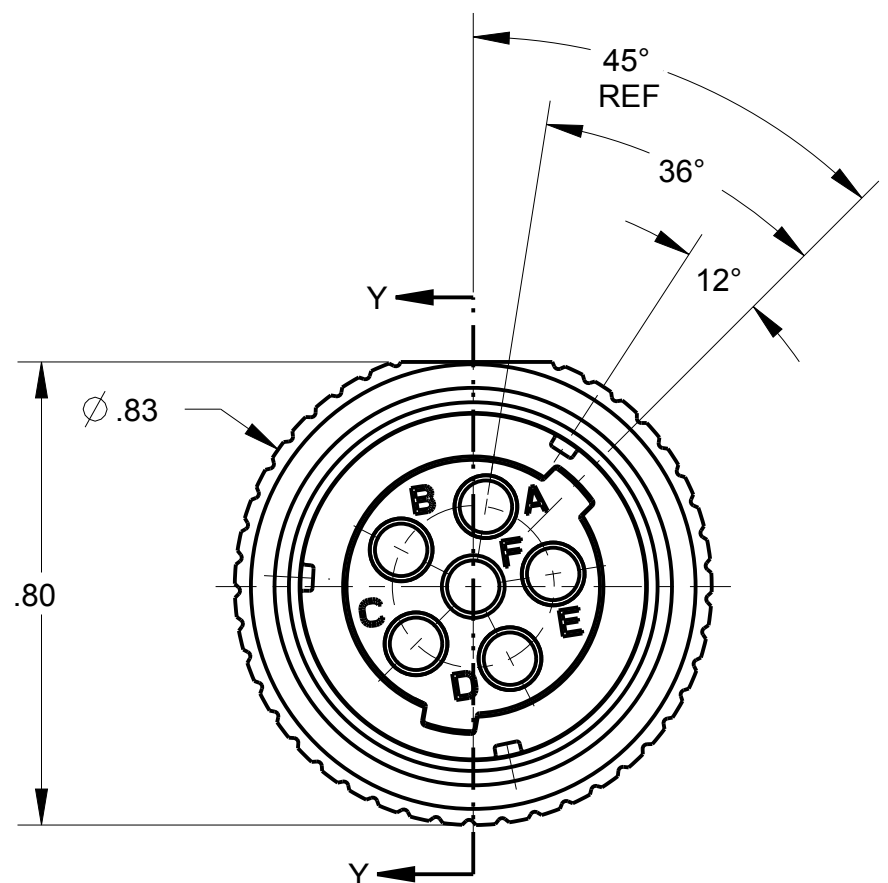
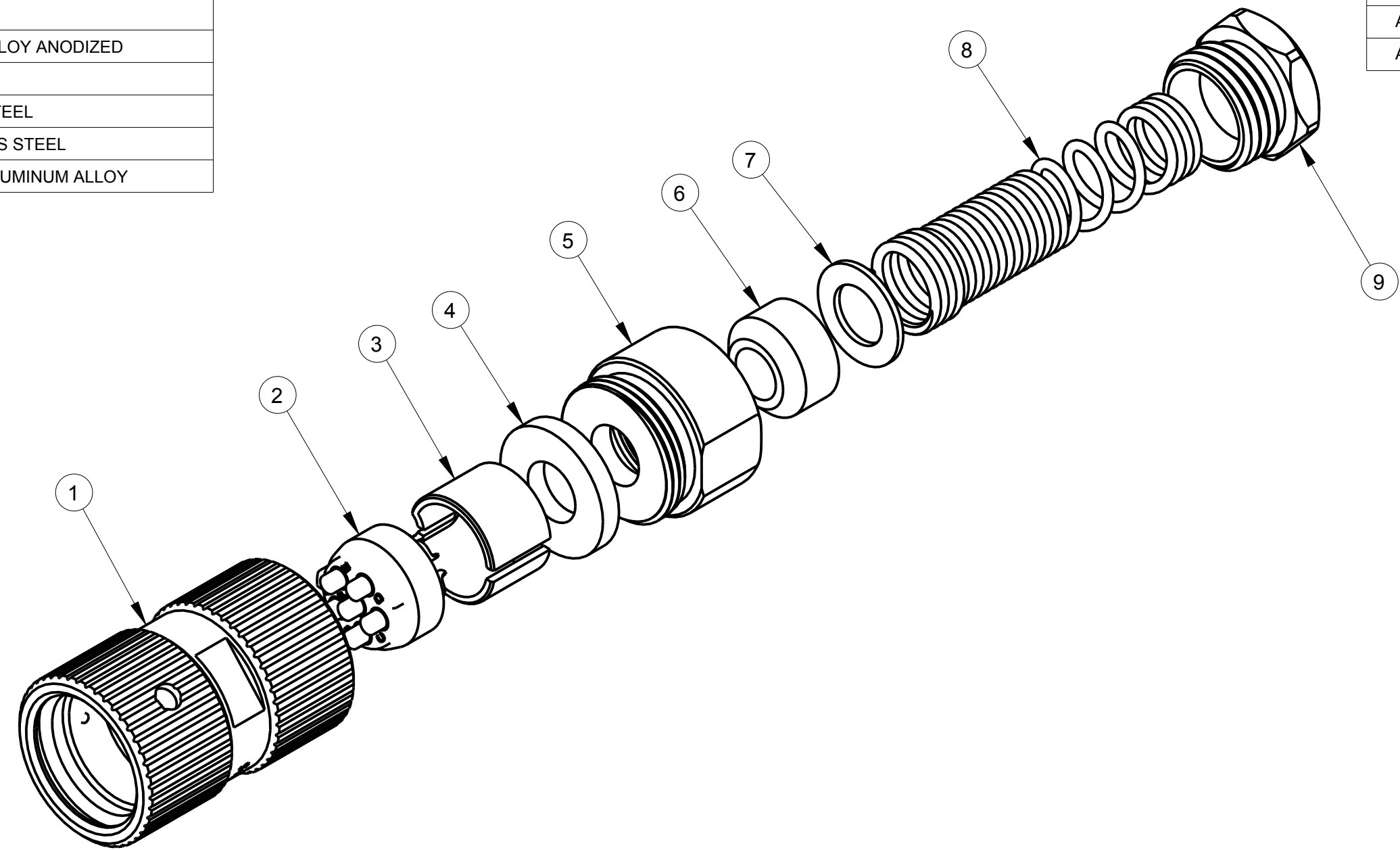


ITEM #	PART #	QTY	DESCRIPTION	MATERIAL
1	AP-145-1M	1	SHELL ASS'Y	303 SS & NEOPRENE
2	AP-146-6	1	INSERT ASS'Y	DIALLYPHTHALATE, TYPE SDGF & GOLD PLATED BRASS
3	AP-105-5	1	STRAIN RELIEF	NYLON
4	AP-116-3	1	WASHER	RUBBER
5	AP-116-7	1	NUT ADAPTER	ALUMINUM ALLOY ANODIZED
6	SEE TABLE #1	1	BUSHING	RUBBER
7	SEE TABLE #1	1	WASHER	STAINLESS STEEL
8	SEE TABLE #1	1	SPRING	302 STAINLESS STEEL
9	AP-116-6	1	STUD	ANODIZED, ALUMINUM ALLOY

C AP-146M-CP

TABLE #1				
PART #	CABLE SIZE	BUSHING	WASHER	SPRING
AP-146M-1	∅ .165± .010	AP-116-17	AP-116-2	AP-116-4
AP-146M-2	∅ .228± .010	AP-116-18	AP-116-2	AP-116-4
AP-146M	∅ .250± .010	AP-116-8	AP-116-2	AP-116-4
AP-146M-4	∅ .290± .010	AP-116-19	AP-116-2	AP-116-4
AP-146M-5	∅ .320± .010	AP-116-20	AP-116-22	AP-116-21

NOTES:
 1) UNLESS OTHERWISE SPECIFIED, THIS CONNECTOR MEETS ALL GENERAL REQUIREMENTS & SPECIFICATIONS OF MIL-C-55116
 2) MATES WITH U-283/U PANEL MOUNT CONNECTOR & U-328/U INLINE CONNECTOR



SECTION Y-Y
SCALE 3.000

THIS DOCUMENT CONTAINS PROPRIETARY INFORMATION OF NEXUS, INCORPORATED AND SUCH INFORMATION MAY NOT BE DISCLOSED TO OTHERS FOR ANY PURPOSE OR USED FOR ANY PURPOSE WITHOUT THE WRITTEN CONSENT OF NEXUS.

LET.	REVISION	CN #	DATE	CHK
D	DEL: 36°, ADD: 48° REF: 36°	226	8/24 2015	HR
C	ADDED WASHER & SPRING TO TABLE, ADDED "REF" TO O-RING, ADDED SEE TABLE 1 TO WASHER & SPRING CALLOUT, CHANGE MARKING TO NEXUS	052	3/26 2010	GPH
B	REMOVE "U-220/U" FROM NOTE 2	034	12/14 2009	GPH
A	INITIAL RELEASE	028	9/14 2009	GPH

DWN.BY	GPH	DATE	9/14/09	MATERIAL
CHECKED BY	GPH	DATE	9/14/09	FINISH
APPR.BY	GPH	DATE	9/14/09	WEIGHT
UNLESS OTHERWISE SPECIFIED DIMENSIONS ARE IN INCHES & OR (mm)				SCALE = 1.00 :1
TOLERANCES:				TITLE
DECIMAL:				
±.XX(X.X) ±.XXX(X.XX) ±.XXXX(X.XXX)				AUDIO PLUG
±.0X(0.X) ±.00X(0.0X) ±.000X(0.0XX)				
FRACTION: ±X/XX ±X/XX				DO NOT SCALE DWG. SHEET 1 OF 1
ANGLES: ±X° ±X'				
NEXUS STAMFORD, CONN.				SIZE
C				DWG. NO.
AP-146M-CP				

LET.	REVISION	CN #	DATE	CHK

X-ON Electronics

Largest Supplier of Electrical and Electronic Components

Click to view similar products for [Phone Connectors](#) category:

Click to view products by [Amphenol](#) manufacturer:

Other Similar products are found below :

[M444B](#) [6J1041A](#) [R4F](#) [E12BPKG](#) [ECP4PKG](#) [161-3502L-E](#) [MT333X](#) [171-0350-EX](#) [171-101A-EX](#) [171-3325-EX](#) [176S](#) [NC3MG-V](#)
[NYS228G](#) [P10834](#) [P2380](#) [P2381X](#) [P2411X](#) [P2412](#) [P2724](#) [JM2PB-AU BULK](#) [9144](#) [S2674](#) [280L](#) [163-156N-2-E](#) [163-158N-2-E](#) [171-3308-](#)
[EX](#) [171-3500-E](#) [2501FT](#) [CMT335](#) [M10662](#) [330Q](#) [RJ5VI-S](#) [40116](#) [TM1R-AU](#) [TM2PBMJ-AU](#) [TM2PJ-AU](#) [TM2PJ-AU BULK](#) [4803.1351](#)
[49201](#) [49205](#) [TS3PBJ-AU](#) [TS3PBMJ-AU](#) [TT32BX](#) [54B](#) [40112](#) [40205](#) [XMT332B](#) [52170017-331](#) [570](#) [NM3](#)