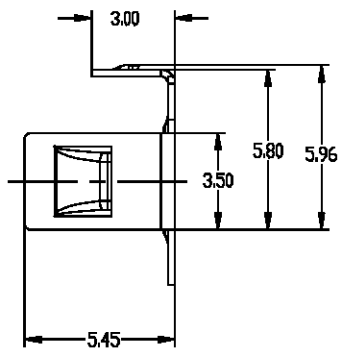
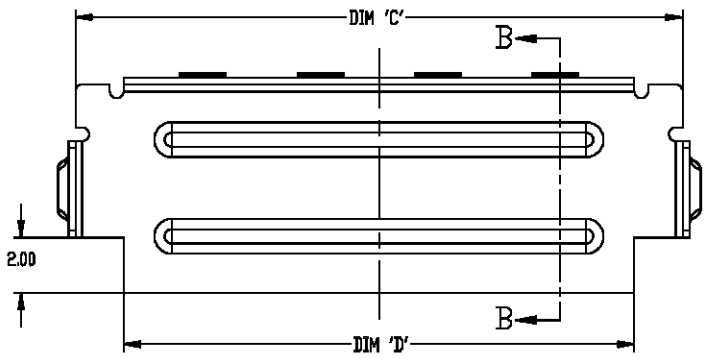
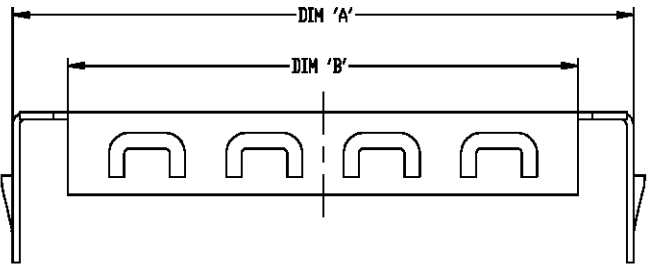
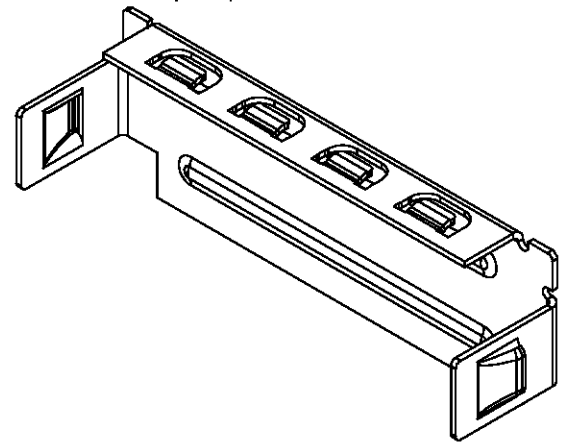
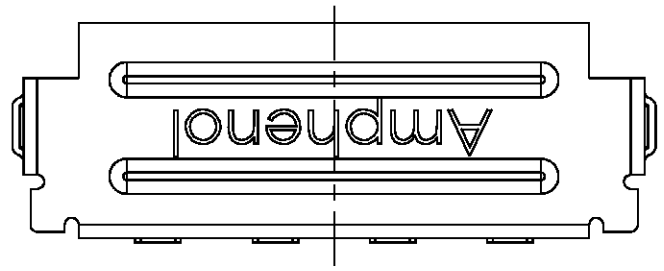


REVISIONS			
REV.	DESCRIPTION	DATE	APPROVED
A	PROPOSAL		
B	ADD FAMILY DRAWING DIMENSION	2004/05/26	
C	ADD NOTE	2004/06/10	
D	DIMENSION CHANGE	2006/07/28	ZLJ



PART NUMBER	DIM 'A'	DIM 'B'	DIM 'C'	DIM 'D'
U65-404-60-P	22.50	18.10	22.00	18.50
U65-412-60-P	46.50	42.50	46.00	42.50

- NOTE:
- MATERIAL: STAINLESS STEEL AISI 301(1/2 HARD), 0.25±0.013 mm THICK. FINISH: NATURAL.
  - PART TO BE BULK PACKAGED.

DO NOT SCALE DRAWING  
 THIS DOCUMENT CONTAINS PROPRIETARY INFORMATION AND SUCH INFORMATION MAY NOT BE DISCLOSED TO OTHERS FOR ANY PURPOSE OR USED FOR MANUFACTURING PURPOSES WITHOUT PERMISSION FROM AMPHENOL CANADA CORP.

UNLESS OTHERWISE SPECIFIED DIMENSIONS ARE IN MILLIMETERS TOLERANCES ARE: DECIMALS ANGLES XX± 0.15 ± 1° XXX± 0.10		APPROVALS DRAWN J.SI DESIGNED J.SI CHECKED IN APPD IE APPD DWS APPD	DATE 2004/05/12 2004/05/12	Amphenol Canada Corp. TITLE REAR COVER INFINIBAND RECEPTACLE
MATERIAL AND FINISH SEE NOTE 1	REF. EAR# 12444	SIZE A3	REV. D	
CODE IDENT. NO. 03554	SCALE 5 = 1	PROJECT	SHEET 1 OF 1	

## X-ON Electronics

Largest Supplier of Electrical and Electronic Components

*Click to view similar products for [I/O Connectors](#) category:*

*Click to view products by [Amphenol](#) manufacturer:*

Other Similar products are found below :

[571763P](#) [58098-0628](#) [72.250.1628.2](#) [72.250.2428.2](#) [74720-0505](#) [76.350.0729.0](#) [76871-1403](#) [FCN-244F080-G/1](#) [FCN-260A9920](#) [MP-5T180MUNNA-005](#) [PCR-E36PM](#) [PCS-XE26MA+](#) [G38A71314B](#) [1571250010](#) [157-22500-3](#) [MS3471L14-19P L/C](#) [192991-0703](#) [172501-4002](#) [172501-6002](#) [FCN-260C008-A/L0](#) [FCN-260C024-AL0](#) [FCN-261Z008](#) [2000314-1](#) [200331-1](#) [PCR-E36FC+](#) [PCS-E28FS+](#) [PCS-XE26SLFD+](#) [PCS-XE26SLFDT+](#) [G730VID08BDC24](#) [HDR-E14MSG1+](#) [U90B2054081210](#) [UE86K842720321](#) [38113800006](#)  
[DP3AR020WQ1R200](#) [Z4.102.0680.0](#) [500-1040](#) [500-1052](#) [500-1054](#) [ZP-4008-66L](#) [0709821002](#) [DX40-20P\(55\)](#) [5554841-1](#) [MS3474W18-8P-LC\\*](#) [SM3106F14S-7S-LC](#) [U90B3054061110](#) [U65-E04-4020](#) [ZPF000000000097891](#) [557-262M2-06C](#) [747360449](#) [10099439-003C-TRLF](#)