

AMPHENOL PART NUMBER CONFIGURATION:

U65 - X XX - X X 1 XXXX

INFINITY
RECEPTACLE

STYLE

- B = R/A SMT, 2 LOCATION AND 2 SOLDERING POSTS
- E = R/A SMT, 2 LOCATION AND 2 SCREW MOUNT HOLES

CONNECTOR TYPE

- 04 = 4X
- 12 = 12X

PLATING

- 1 = 50µ" GOLD
- 2 = 30µ" GOLD
- 3 = GOLD FLASH OVER PALLADIUM-NICKEL (LEAD FREE)
- 4 = 50µ" GOLD (RoHS COMPLIANT)
- 5 = 30µ" GOLD (RoHS COMPLIANT)
- B = 50µ" GOLD (RoHS COMPLIANT)
- C = 30µ" GOLD (RoHS COMPLIANT)

OPTION

- 0 = 2 PIECE LOCKING PLATE (SHIPPED LOOSE)
- 1 = ONE PIECE LOCKING PLATE (SHIPPED LOOSE)
- 2 = NO LOCKING PLATE
- 3 = NO LOCKING PLATE AND NO GASKET

1. MATERIAL:

PLASTIC HOUSING:

HIGH TEMPERATURE POLYMER, FLAMMABILITY RATING UL94V-0.

CONTACTS:

PHOSPHOR BRONZE

PLATING OPTION 1 OR 2 (50µ" OR 30µ" GOLD): 50µ" [1.27 µm] OR 30µ" [0.76 µm] MIN. GOLD OVER 50µ" [1.27 µm] MIN. NICKEL ON CONTACT MATING SURFACES. 150µ" [3.81 µm] MIN. TIN-LEAD (90/10) OVER 50µ" [1.27 µm] NICKEL ON CONTACT TAILS.

PLATING OPTION 3 (GOLD FLASH OVER PALLADIUM-NICKEL): 2µ" [0.05 µm] MIN. GOLD OVER 25µ" [0.635 µm] MIN. PALLADIUM-NICKEL ON CONTACT MATING SURFACES. 0.3µ" [0.007 µm] MIN. GOLD OVER 1.2µ" [0.03 µm] MIN. PALLADIUM-NICKEL ON CONTACT TAILS. 50µ" [1.27 µm] MIN. NICKEL UNDER PLATING.

PLATING OPTION 4 OR 5 (RoHS) (50µ" OR 30µ" GOLD): 50µ" [1.27 µm] OR 30µ" [0.76 µm] MIN. GOLD OVER 50µ" [1.27 µm] MIN. NICKEL ON CONTACT MATING SURFACES. 2µ" [0.05 µm] MIN. GOLD OVER 50µ" [1.27 µm] MIN. NICKEL ON CONTACT TAILS.

PLATING OPTION B OR C (RoHS) (50µ" OR 30µ" GOLD): 50µ" [1.27 µm] OR 30µ" [0.76 µm] MIN. GOLD OVER 50µ" [1.27 µm] MIN. NICKEL ON CONTACT MATING SURFACES. 100-150µ" [2.54-3.81 µm] MATTE TIN OVER 50µ" [1.27 µm] MIN. NICKEL ON CONTACT TAILS.

METAL SHELL: DIE CASTING ALLOY

PLATING: 100µ" [2.54 µm] MIN. NICKEL OVER COPPER UNDER LAYER

GASKET: STAINLESS STEEL

LOCKING PLATE: STAINLESS STEEL

M2 SCREWS: STEEL WITH ZINC PLATING

2. TEMPERATURE RANGE:

-40°C TO +85°C

PACKAGING/SPECIAL

- (NOTE: ALL "M" OPTIONS ARE FOR STYLE E WITH .062" TO .093" THICK PCB'S ONLY)
- NO DIGIT = TRAY PACKAGING NO REAR COVER
 - C = TRAY PACKAGING WITH REAR COVER (SHIPPED LOOSE)
 - M = TRAY PACKAGING, NO REAR COVER, M2 SCREWS INCLUDED (SHIPPED LOOSE)
 - CM = TRAY PACKAGING, W/ REAR COVER, M2 SCREWS INCLUDED (BOTH SHIPPED LOOSE)
 - T = TAPE & REEL PACKAGING NO REAR COVER
 - CT = TAPE & REEL PACKAGING W/ REAR COVER (SHIPPED LOOSE)
 - CAT = TAPE & REEL PACKAGING W/ REAR COVER ASSEMBLED
 - MT = TAPE & REEL PACKAGING, NO REAR COVER, M2 SCREWS INCLUDED (SHIPPED LOOSE)
 - CMT = TAPE & REEL PACKAGING, W/ REAR COVER, M2 SCREWS INCLUDED (BOTH SHIPPED LOOSE)

KEYING OPTION

- 0 = NO KEYING (STD)
- 1 = KEYING 1 & 6
- 2 = KEYING 2 & 6
- 3 = KEYING 3 & 5
- 4 = KEYING 4 & 5

MOUNTING STYLE

LANYARD LATCH

REVISIONS				
SYM	ZONE	ECN, ERN NO.	DATE	APPRD.
E		PROPOSAL	APR16/10	Z.L.
F		NEW OPTION ADDED	JUN16/11	Z.L.

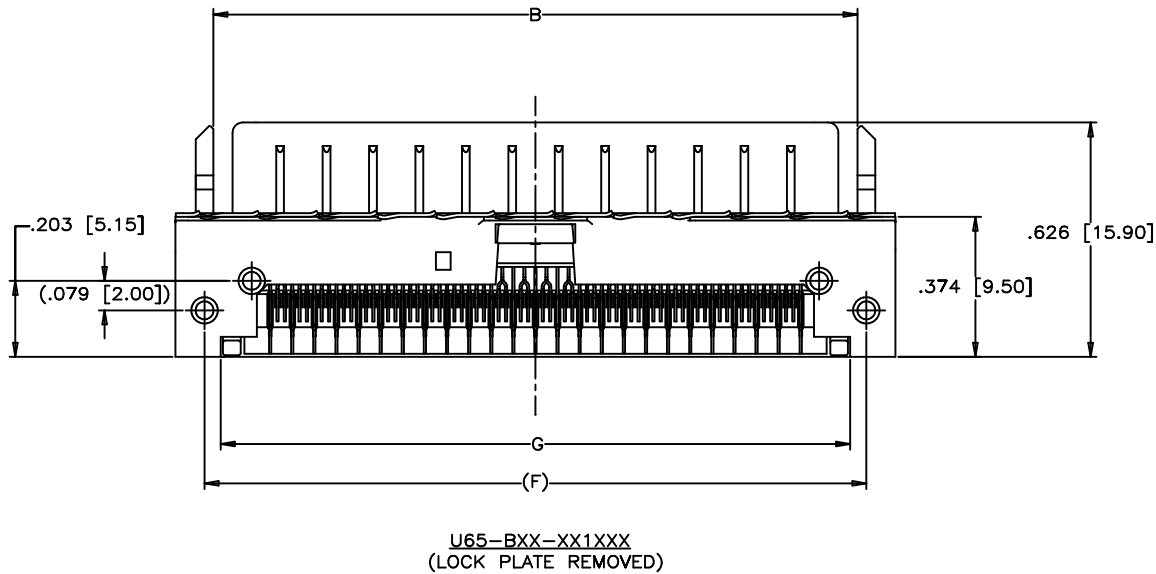
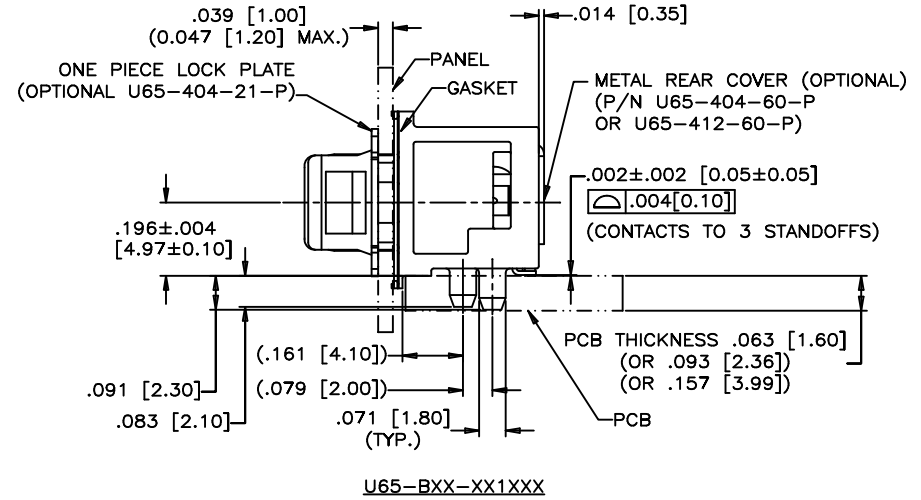
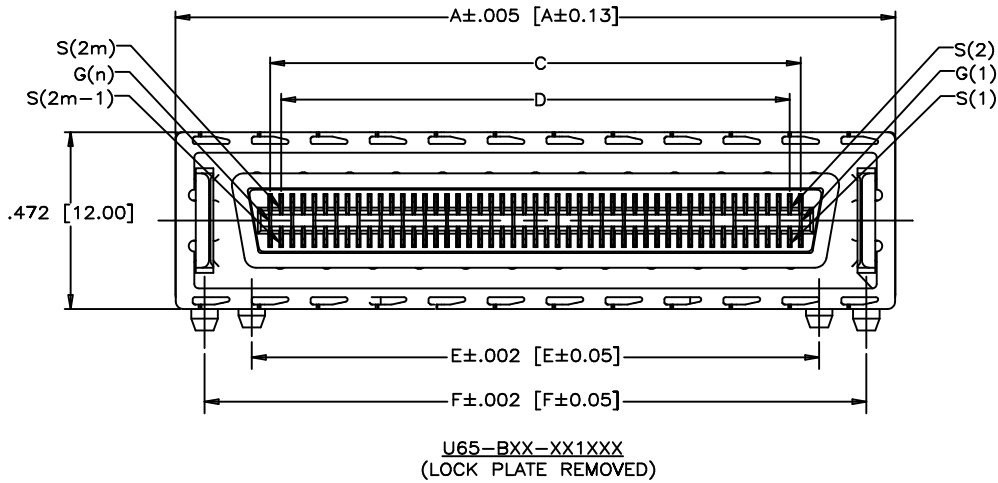
THIS IS A CAD DRAWING. DO NOT MANUALLY REVISE.

DRAWN	M.LONG	DATE	2005/05/16	Amphenol Canada Corp.	
DESIGNED					
CHECKED	J.SI	DATE	2005/05/16	TITLE INFINITY 4X/12X RECEPTACLE, LANYARD STYLE, FIXED BOARD, RIGHT ANGLE SMT, LOCATING/SOLDERING POSTS	
I. E. APPRD.					
Q. A. APPRD.				DWG. APPRD.	
DWG. APPRD.					
ENG. REL. NO.		DWG.	A	DRAWING NO.	P-U65-XXX-XX1XXXX
REF.		SCALE	2/1	WT.	
DIMENSIONS ARE IN INCHES [mm]	CODE ID. NO.	03554		SURF.	
				SHEET	1 OF 4

THIS DOCUMENT CONTAINS PROPRIETARY INFORMATION AND SUCH INFORMATION MAY NOT BE DISCLOSED TO OTHERS FOR ANY PURPOSE OR USED FOR MANUFACTURING PURPOSES WITHOUT WRITTEN PERMISSION FROM AMPHENOL CANADA CORP.

REVISIONS				
SYM	ZONE	ECN, ERN NO.	DATE	APPRD.
E		PROPOSAL	APR16/10	Z.L.
F		NEW OPTION ADDED	JUN16/11	Z.L.

THIS IS A CAD DRAWING. DO NOT MANUALLY REVISE.



DIMENSION TABLE:

PART NUMBER	U65-X04-XX1XXX	U65-X12-XX1XXX
A	.978 [24.85]	1.923 [48.85]
B	.776 [19.70]	1.720 [43.70]
C	.472 [12.00]	1.417 [36.00]
D	.413 [10.50]	1.358 [34.50]
E	.571 [14.50]	1.516 [38.50]
F	.823 [20.90]	1.768 [44.90]
G	.736 [18.70]	1.681 [42.70]
H	.894 [22.70]	1.839 [46.70]
K	.776 [19.70]	1.720 [43.70]
m	m = 1 - 8	m = 1 - 24
n	n = 1 - 9	n = 1 - 25

** REFER TO [mm] AS PRIMARY DIMENSIONS.

DRAWN	M.LONG	DATE	2005/05/16
DESIGNED			
CHECKED	J.SI	DATE	2005/01/07
I. E. APPRD.			
Q. A. APPRD.			
DWG. APPRD.			
ENG. REL. NO.			
REF.			
DIMENSIONS ARE IN	CODE ID. NO.		
INCHES [mm]	03554		

Amphenol Canada Corp.

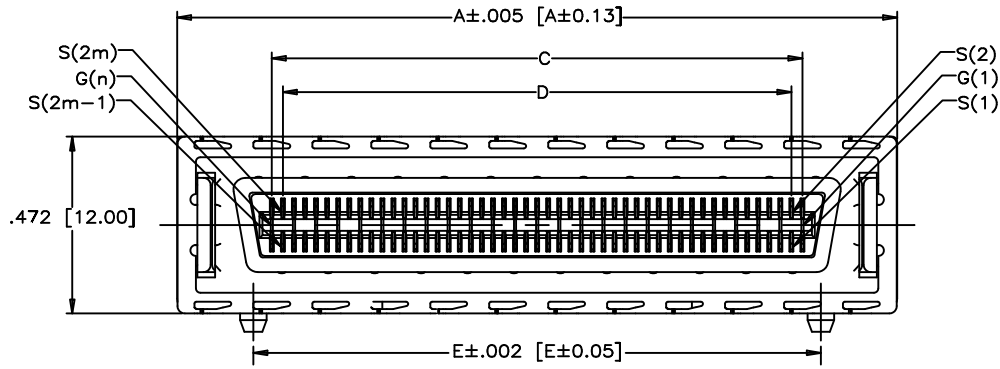
TITLE
INFINITY 4X/12X RECEPTACLE, LANYARD
STYLE, FIXED BOARD, RIGHT ANGLE SMT,
LOCATING/SOLDERING POSTS

DWG	DRAWING NO.	REV.
A	P-U65-XXX-XX1XXXX	F
SCALE	2/1	WT. -----
SURF.	-----	SHEET 2 OF 4

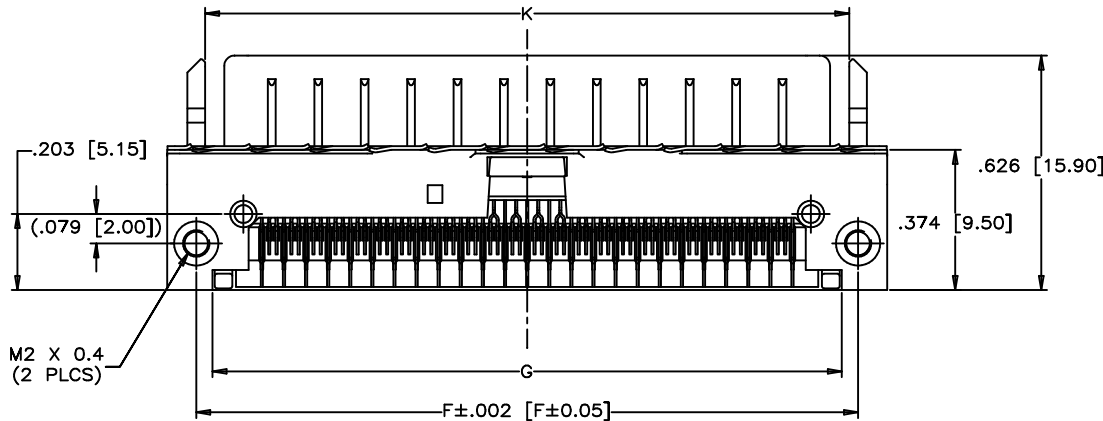
THIS DOCUMENT CONTAINS PROPRIETARY INFORMATION AND SUCH INFORMATION MAY NOT BE DISCLOSED TO OTHERS FOR ANY PURPOSE OR USED FOR MANUFACTURING PURPOSES WITHOUT WRITTEN PERMISSION FROM AMPHENOL CANADA CORP.

REVISIONS				
SYM	ZONE	ECN, ERN NO.	DATE	APPRD.
E		PROPOSAL	APR16/10	Z.L.
F		NEW OPTION ADDED	JUN16/11	Z.L.

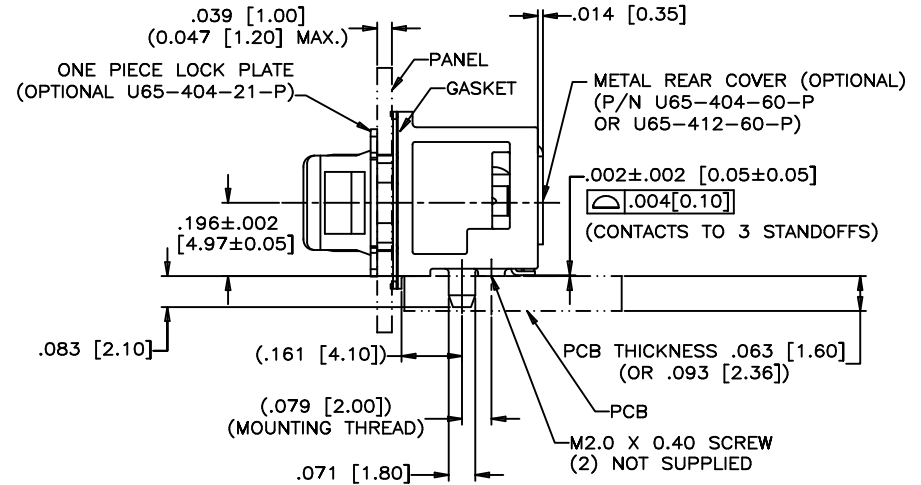
THIS IS A CAD DRAWING. DO NOT MANUALLY REVISE.



U65-EXX-XX7XXX
(LOCK PLATE REMOVED)



U65-EXX-XX7XXX
(LOCK PLATE REMOVED)



U65-EXX-XX1XXX
(SCREW MOUNT)

** REFER TO [mm] AS PRIMARY DIMENSIONS.

DRAWN	M.LONG	DATE	2005/05/16
DESIGNED			
CHECKED	J.SI	DATE	2005/05/16
I. E. APPRD.			
Q. A. APPRD.			
DWG. APPRD.			
ENG. REL. NO.			
REF.			
DIMENSIONS ARE IN	CODE ID. NO.		
INCHES [mm]	03554		

Amphenol Canada Corp.

TITLE
INFINITY 4X/12X RECEPTACLE, LANYARD
STYLE, FIXED BOARD, RIGHT ANGLE SMT,
LOCATING/SOLDERING POSTS

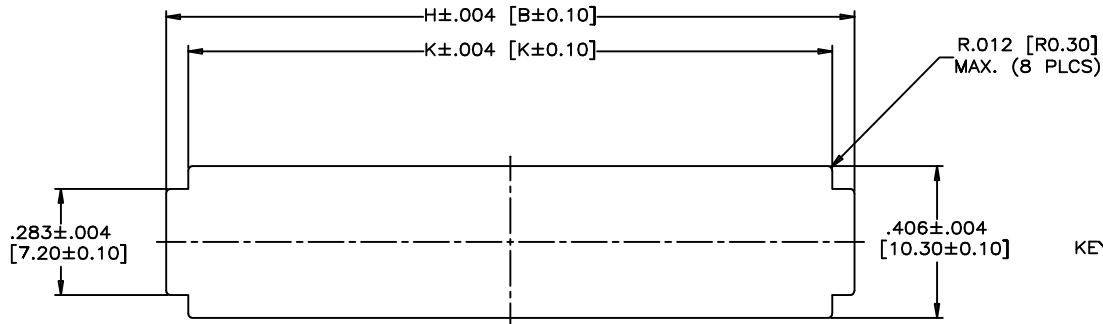
DWG	DRAWING NO.	REV.
A	P-U65-XXX-XX1XXXX	F

SCALE 2/1 WT. ----- SURF. ----- SHEET 3 OF 4

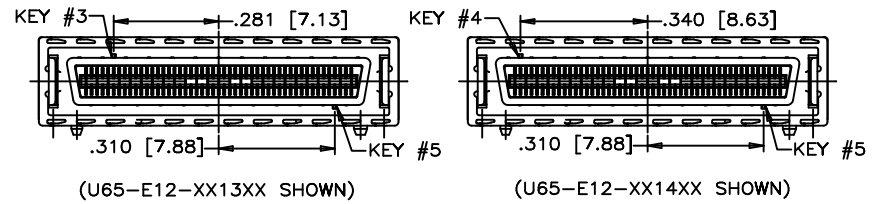
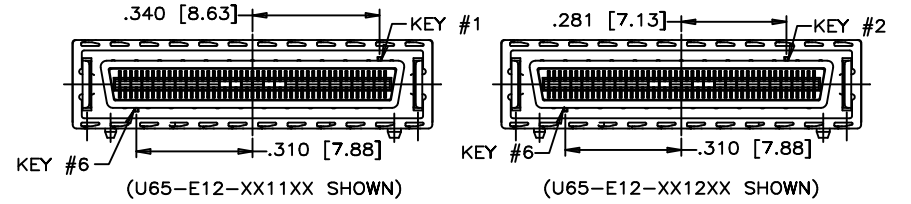
THIS DOCUMENT CONTAINS PROPRIETARY INFORMATION AND SUCH INFORMATION MAY NOT BE DISCLOSED TO OTHERS FOR ANY PURPOSE OR USED FOR MANUFACTURING PURPOSES WITHOUT WRITTEN PERMISSION FROM AMPHENOL CANADA CORP.

REVISIONS				
SYM	ZONE	ECN, ERN NO.	DATE	APPRD.
E		PROPOSAL	APR16/10	Z.L.
F		NEW OPTION ADDED	JUN16/11	Z.L.

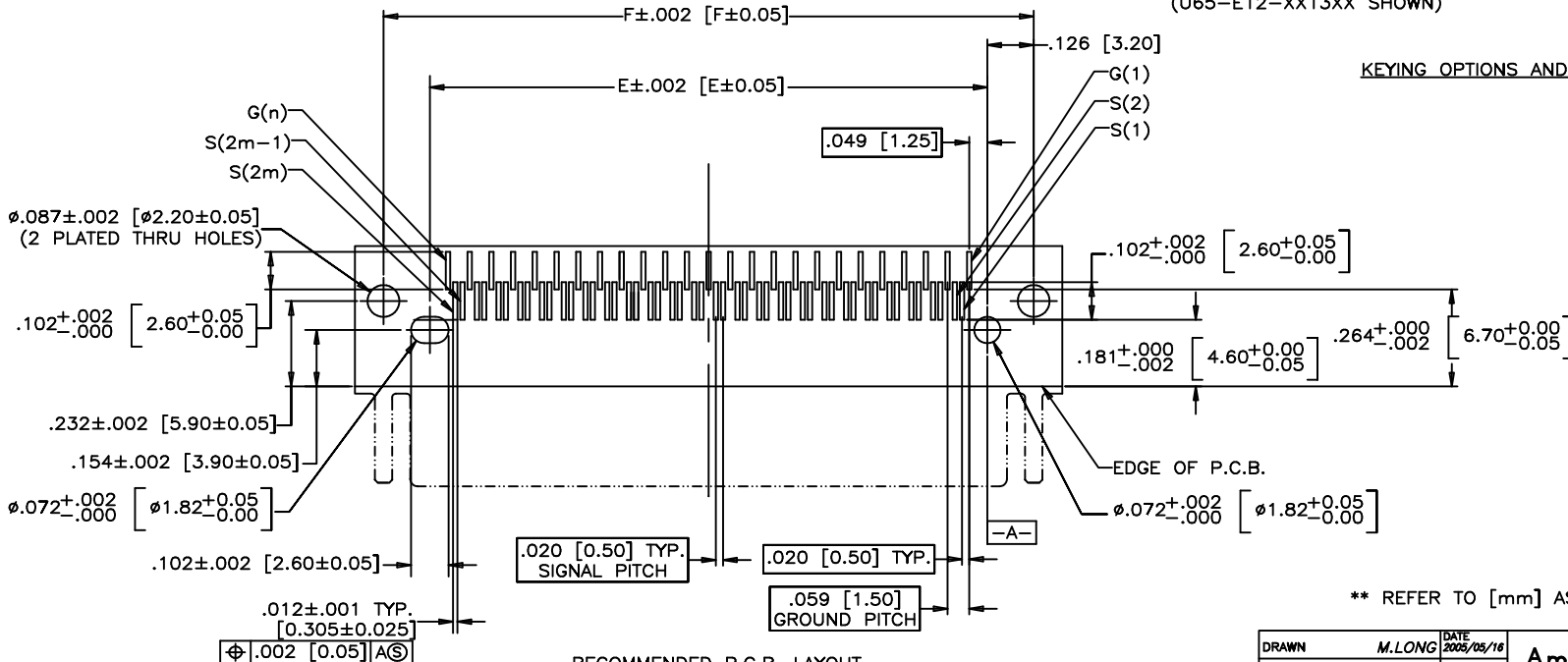
THIS IS A CAD DRAWING. DO NOT MANUALLY REVISE.



RECOMMENDED PANEL CUTOUT



KEYING OPTIONS AND LOCATIONS



RECOMMENDED P.C.B. LAYOUT
(COMPONENTS SIDE OF BOARD)

** REFER TO [mm] AS PRIMARY DIMENSIONS.

DRAWN	M.LONG	DATE	2005/05/16
DESIGNED			
CHECKED	J.SI	DATE	2005/05/16
I. E. APPRD.			
Q. A. APPRD.			
DWG. APPRD.			
ENG. REL. NO.			
REF.			
DIMENSIONS ARE IN	CODE ID. NO.		
INCHES [mm]	03554		

Amphenol Canada Corp.

TITLE
INFINITY 4X/12X RECEPTACLE, LANYARD
STYLE, FIXED BOARD, RIGHT ANGLE SMT,
LOCATING/SOLDERING POSTS

DWG	DRAWING NO.	REV.
A	P-U65-XXX-XX1XXXX	F
SCALE	2/1	WT. -----
SURF.	----	SHEET 4 OF 4

THIS DOCUMENT CONTAINS PROPRIETARY INFORMATION AND SUCH INFORMATION MAY NOT BE DISCLOSED TO OTHERS FOR ANY PURPOSE OR USED FOR MANUFACTURING PURPOSES WITHOUT WRITTEN PERMISSION FROM AMPHENOL CANADA CORP.

X-ON Electronics

Largest Supplier of Electrical and Electronic Components

Click to view similar products for [I/O Connectors](#) category:

Click to view products by [Amphenol](#) manufacturer:

Other Similar products are found below :

[571763P](#) [58098-0628](#) [72.250.1628.2](#) [72.250.2428.2](#) [74720-0505](#) [76.350.0729.0](#) [76871-1403](#) [FCN-244F080-G/1](#) [FCN-260A9920](#) [MP-5T180MUNNA-005](#) [PCR-E36PM](#) [PCS-XE26MA+](#) [G38A71314B](#) [1571250010](#) [157-22500-3](#) [MS3471L14-19P L/C](#) [192991-0703](#) [172501-4002](#) [172501-6002](#) [FCN-260C008-A/L0](#) [FCN-260C024-AL0](#) [FCN-261Z008](#) [2000314-1](#) [200331-1](#) [PCR-E36FC+](#) [PCS-E28FS+](#) [PCS-XE26SLFD+](#) [PCS-XE26SLFDT+](#) [G730VID08BDC24](#) [HDR-E14MSG1+](#) [U90B2054081210](#) [UE86K842720321](#) [38113800006](#)
[DP3AR020WQ1R200](#) [Z4.102.0680.0](#) [500-1040](#) [500-1052](#) [500-1054](#) [ZP-4008-66L](#) [0709821002](#) [DX40-20P\(55\)](#) [5554841-1](#) [MS3474W18-8P-LC*](#) [SM3106F14S-7S-LC](#) [U90B3054061110](#) [U65-E04-4020](#) [ZPF000000000097891](#) [557-262M2-06C](#) [747360449](#) [10099439-003C-TRLF](#)