

AMPHENOL PART NUMBER CONFIGURATION:

U65 - X XX - X X 6 XXX

INFINITY
RECEPTACLE

STYLE

- B = R/A SMT, 2 LOCATION
AND 4 SOLDERING POSTS
- D = R/A SMT, 2 LOCATION
AND 2 7.0 mm DEEP SCREW MOUNT HOLES
AND 2 THRU SCREW MOUNT HOLES
- E = R/A SMT, 2 LOCATION
AND 2 1.5 mm DEEP SCREW MOUNT HOLES
AND 2 THRU SCREW MOUNT HOLES

CONNECTOR TYPE

- 04 = 4X
- 12 = 12X

PLATING

- 1 = 50µ" GOLD
- 2 = 30µ" GOLD
- 3 = GOLD FLASH OVER
PALLADIUM-NICKEL (LEAD FREE)
- 4 = 50µ" GOLD (RoHS COMPLIANT)
- 5 = 30µ" GOLD (RoHS COMPLIANT)
- B = 50µ" GOLD (RoHS COMPLIANT)
- C = 30µ" GOLD (RoHS COMPLIANT)

OPTION

- 0= 2 PIECE LOCKING PLATE (SHIPPED LOOSE)
- 1= ONE PIECE LOCKING PLATE (SHIPPED LOOSE)
- 2= NO LOCKING PLATE
- 3= NO LOCKING PLATE AND NO GASKET
- 4= NO LOCKING PLATE WITH SPECIAL EMI GASKET
(LANYARD ONLY)

1. MATERIAL:

PLASTIC HOUSING:
HIGH TEMPERATURE RESISTANT NYLON, FLAMMABILITY RATING UL94V-0.

CONTACTS:

- PHOSPHOR BRONZE
- PLATING OPTION 1 OR 2 (50µ" OR 30µ" GOLD): 50µ" [1.27 µm] OR 30µ" [0.76 µm] MIN. GOLD OVER 50µ" [1.27 µm] MIN. NICKEL ON CONTACT MATING SURFACES. 150µ" [3.81 µm] MIN. TIN-LEAD (90/10) OVER 50µ" [1.27 µm] NICKEL ON CONTACT TAILS.
- PLATING OPTION 3 (GOLD FLASH OVER PALLADIUM-NICKEL): 2µ" [0.05 µm] MIN. GOLD OVER 25µ" [0.635 µm] MIN. PALLADIUM-NICKEL ON CONTACT MATING SURFACES. 0.3µ" [0.007 µm] MIN. GOLD OVER 1.2µ" [0.03 µm] MIN. PALLADIUM-NICKEL ON CONTACT TAILS. 50µ" [1.27 µm] MIN. NICKEL UNDER PLATING.
- PLATING OPTION 4 OR 5 (RoHS) (50µ" OR 30µ" GOLD): 50µ" [1.27 µm] OR 30µ" [0.76 µm] MIN. GOLD OVER 50µ" [1.27 µm] MIN. NICKEL ON CONTACT MATING SURFACES. 2µ" [0.05 µm] MIN. GOLD OVER 50µ" [1.27 µm] MIN. NICKEL ON CONTACT TAILS.
- PLATING OPTION B OR C (RoHS) (50µ" OR 30µ" GOLD): 50µ" [1.27 µm] OR 30µ" [0.76 µm] MIN. GOLD OVER 50µ" [1.27 µm] MIN. NICKEL ON CONTACT MATING SURFACES. 100-150µ" [2.54-3.81 µm] MATTE TIN OVER 50µ" [1.27 µm] MIN. NICKEL ON CONTACT TAILS.

METAL SHELL: DIE CASTING ALLOY

PLATING: 100µ" [2.54 µm] MIN. NICKEL OVER COPPER UNDER LAYER

GASKET: STAINLESS STEEL

LOCKING PLATE: STAINLESS STEEL

M2 SCREWS: STEEL WITH ZINC PLATING

2. TEMPERATURE RANGE: -40°C TO +85°C

REVISIONS				
SYM	ZONE	ECN, ERN NO.	DATE	APPRD.
G		MODIFIED THREAD NOTE ON P3	JUL 27 '10	A.G
H		"D" CONFIGURATION ADDED ON P1	JAN 12 '11	A.G

THIS IS A CAD DRAWING. DO NOT MANUALLY REVISE.

PACKAGING/SPECIAL

- (NOTE: ALL "M" OPTIONS ARE FOR STYLE E WITH .062" TO .093" THICK PCB'S ONLY)
- NO DIGIT = TRAY PACKAGING NO REAR COVER
- C = TRAY PACKAGING WITH REAR COVER (SHIPPED LOOSE)
- M = TRAY PACKAGING, NO REAR COVER, M2 SCREWS INCLUDED (SHIPPED LOOSE)
- CM = TRAY PACKAGING, W/ REAR COVER, M2 SCREWS INCLUDED (BOTH SHIPPED LOOSE)
- T = TAPE & REEL PACKAGING NO REAR COVER
- CT = TAPE & REEL PAKAGING W/ REAR COVER (SHIPPED LOOSE)
- MT = TAPE & REEL PAKAGING, NO REAR COVER, M2 SCREWS INCLUDED (SHIPPED LOOSE)
- CMT = TAPE & REEL PAKAGING, W/ REAR COVER, M2 SCREWS INCLUDED (BOTH SHIPPED LOOSE)

KEYING OPTION

- 0 = NO KEYING (STD)
- 1 = KEYING 1 & 6
- 2 = KEYING 2 & 6
- 3 = KEYING 3 & 5
- 4 = KEYING 4 & 5

MOUNTING STYLE

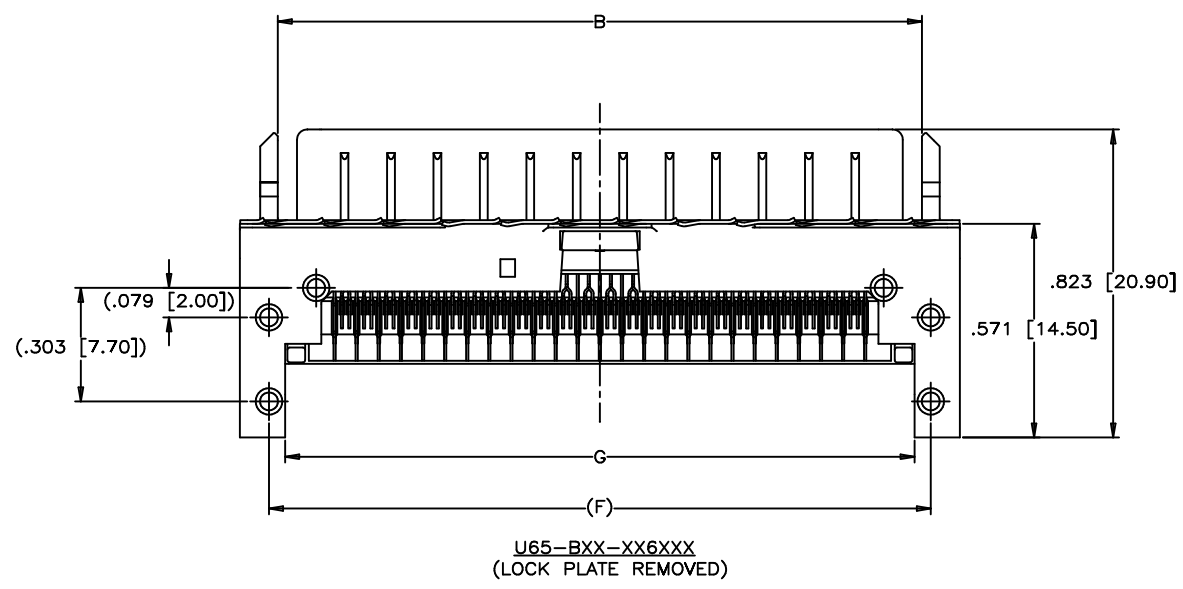
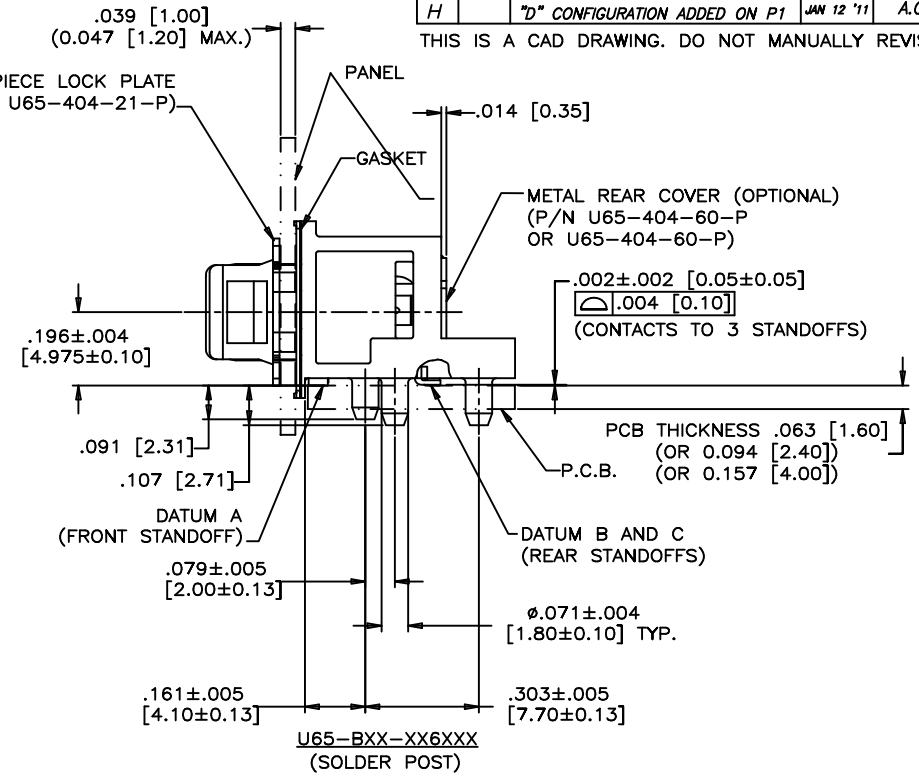
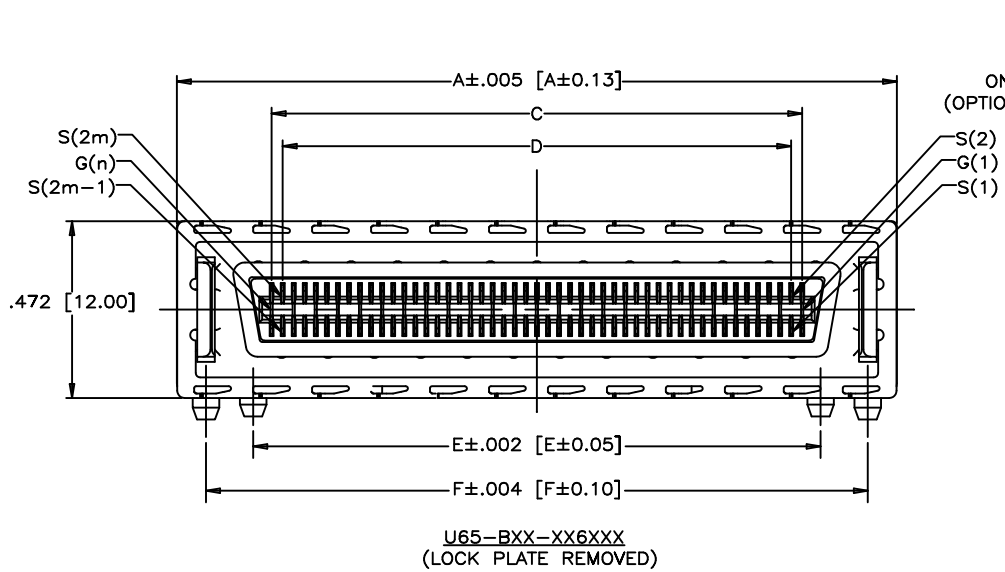
- LANYARD LATCH, (4) SOLDER POSTS OR (4) MOUNTING HOLES

DRAWN	M.LONG	DATE	2005/05/17	Amphenol Canada Corp.	
DESIGNED					
CHECKED	J.SI	DATE	2005/05/17	TITLE INFINITY 4X/12X RECEPTACLE, LANYARD STYLE, FIXED BOARD, RIGHT ANGLE SMT, (4) SOLDER POSTS OR (4) MOUNTING HOLES	
I. E. APPRD.					
Q. A. APPRD.				DWG.	A
DWG. APPRD.				DRAWING NO.	P-U65-XXX-XX6XXX
ENG. REL. NO.				REF.	H
DIMENSIONS ARE IN INCHES [mm]	CODE ID. NO.	03554	SCALE	2/1	WT. ----- SURF. ----- SHEET 1 OF 4

THIS DOCUMENT CONTAINS PROPRIETARY INFORMATION AND SUCH INFORMATION MAY NOT BE DISCLOSED TO OTHERS FOR ANY PURPOSE OR USED FOR MANUFACTURING PURPOSES WITHOUT WRITTEN PERMISSION FROM AMPHENOL CANADA CORP.

REVISIONS				
SYM	ZONE	ECN, ERN NO.	DATE	APPRD.
G		MODIFIED THREAD NOTE ON P3	JUL 27 '10	A.G
H		"D" CONFIGURATION ADDED ON P1	JAN 12 '11	A.G

THIS IS A CAD DRAWING. DO NOT MANUALLY REVISE.



DIMENSION TABLE:

PART NUMBER	U65-X04-XX6XXX	U65-X12-XX6XXX
A	.978 [24.85]	1.923 [48.85]
B	.776 [19.70]	1.720 [43.70]
C	.472 [12.00]	1.417 [36.00]
D	.413 [10.50]	1.358 [34.50]
E	.571 [14.50]	1.516 [38.50]
F	.823 [20.90]	1.768 [44.90]
G	.736 [18.70]	1.681 [42.70]
H	.894 [22.70]	1.839 [46.70]
K	.776 [19.70]	1.720 [43.70]
m	m = 1 - 8	m = 1 - 24
n	n = 1 - 9	n = 1 - 25
P	.207 [5.25]	.679 [17.25]
R	.089 [2.25]	.561 [14.25]
S	.148 [3.75]	.620 [15.75]

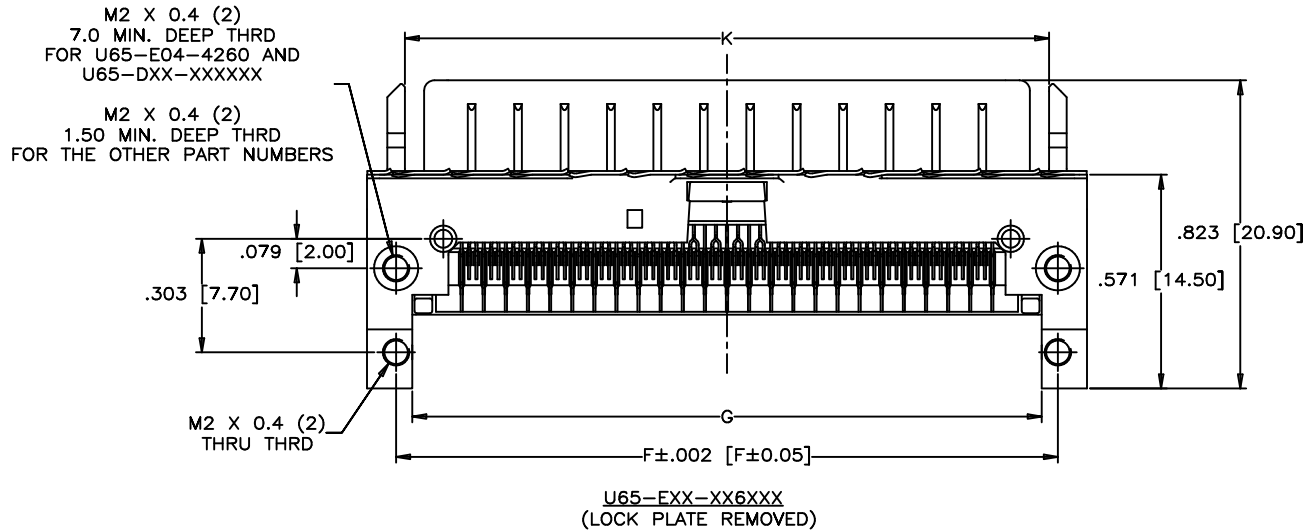
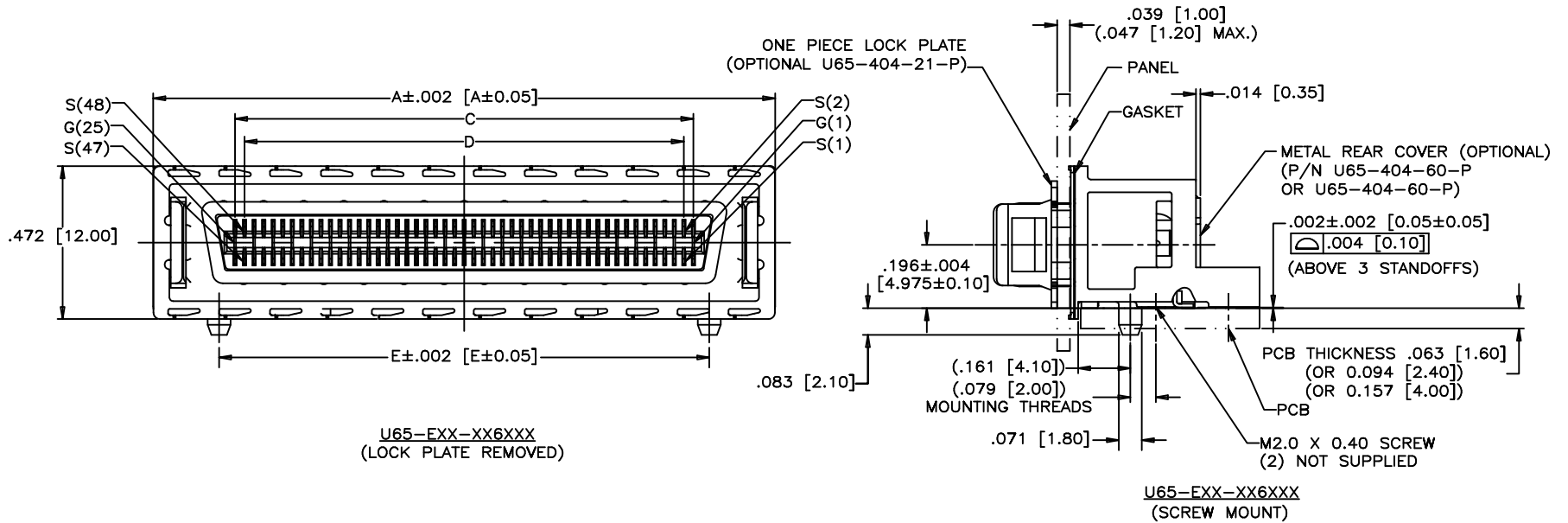
** REFER TO [mm] AS PRIMARY DIMENSIONS.

THIS DOCUMENT CONTAINS PROPRIETARY INFORMATION AND SUCH INFORMATION MAY NOT BE DISCLOSED TO OTHERS FOR ANY PURPOSE OR USED FOR MANUFACTURING PURPOSES WITHOUT WRITTEN PERMISSION FROM AMPHENOL CANADA CORP.

DRAWN	M.LONG	DATE	2005/05/17	Amphenol Canada Corp. TITLE INFINITY 4X/12X RECEPTACLE, LANYARD STYLE, FIXED BOARD, RIGHT ANGLE SMT, (4) SOLDER POSTS OR (4) MOUNTING HOLES		
DESIGNED						
CHECKED	J.SI	DATE	2005/05/17			
I. E. APPRD.						
Q. A. APPRD.						
DWG. APPRD.						
ENG. REL. NO.		DWG	DRAWING NO.	P-U65-XXX-XX6XXX		
REF.		A				
DIMENSIONS ARE IN	CODE ID. NO.	SCALE	2/1	WT. -----	SURF. -----	SHEET 2 OF 4
INCHES [mm]	03554					

REVISIONS				
SYM	ZONE	ECN, ERN NO.	DATE	APPRD.
G		MODIFIED THREAD NOTE ON P3	JUL 27 '10	A.G
H		"D" CONFIGURATION ADDED ON P1	JAN 12 '11	A.G

THIS IS A CAD DRAWING. DO NOT MANUALLY REVISE.

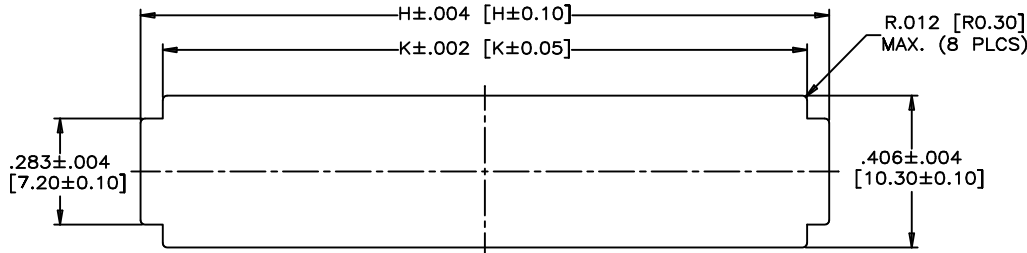


THIS DOCUMENT CONTAINS PROPRIETARY INFORMATION AND SUCH INFORMATION MAY NOT BE DISCLOSED TO OTHERS FOR ANY PURPOSE OR USED FOR MANUFACTURING PURPOSES WITHOUT WRITTEN PERMISSION FROM AMPHENOL CANADA CORP.

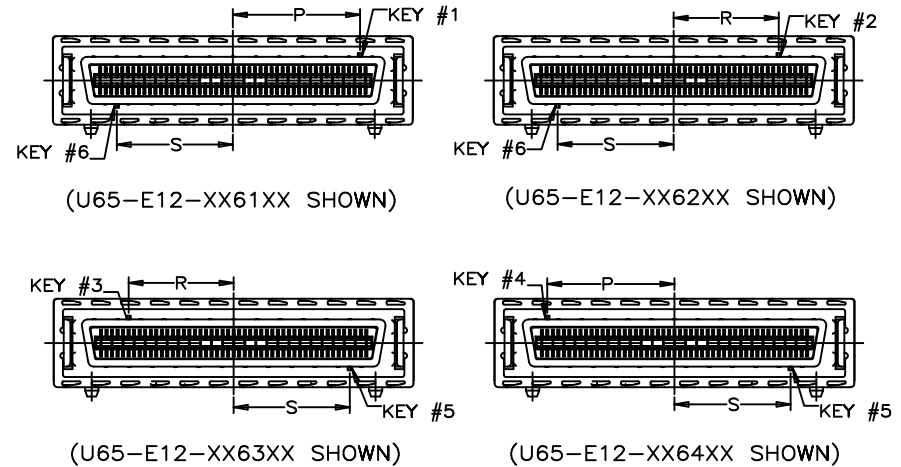
DRAWN	M.LONG	DATE	2005/05/17	Amphenol Canada Corp.					
DESIGNED									
CHECKED	J.SI	2005/05/17							
I. E. APPRD.									
Q. A. APPRD.				TITLE INFINITY 4X/12X RECEPTACLE, LANYARD STYLE, FIXED BOARD, RIGHT ANGLE SMT, (4) SOLDER POSTS OR (4) MOUNTING HOLES					
DWG. APPRD.									
ENG. REL. NO.									
REF.									
DIMENSIONS ARE IN	CODE ID. NO.			DWG. NO.	A	DRAWING NO.	P-U65-XXX-XX6XXX	REV.	H
INCHES [mm]	03554	SCALE	2/1	WT.	-----	SURF.	-----	SHEET	3 OF 4

REVISIONS				
SYM	ZONE	ECN, ERN NO.	DATE	APPRD.
G		MODIFIED THREAD NOTE ON P3	JUL 27 '10	A.G
H		"D" CONFIGURATION ADDED ON P1	JAN 12 '11	A.G

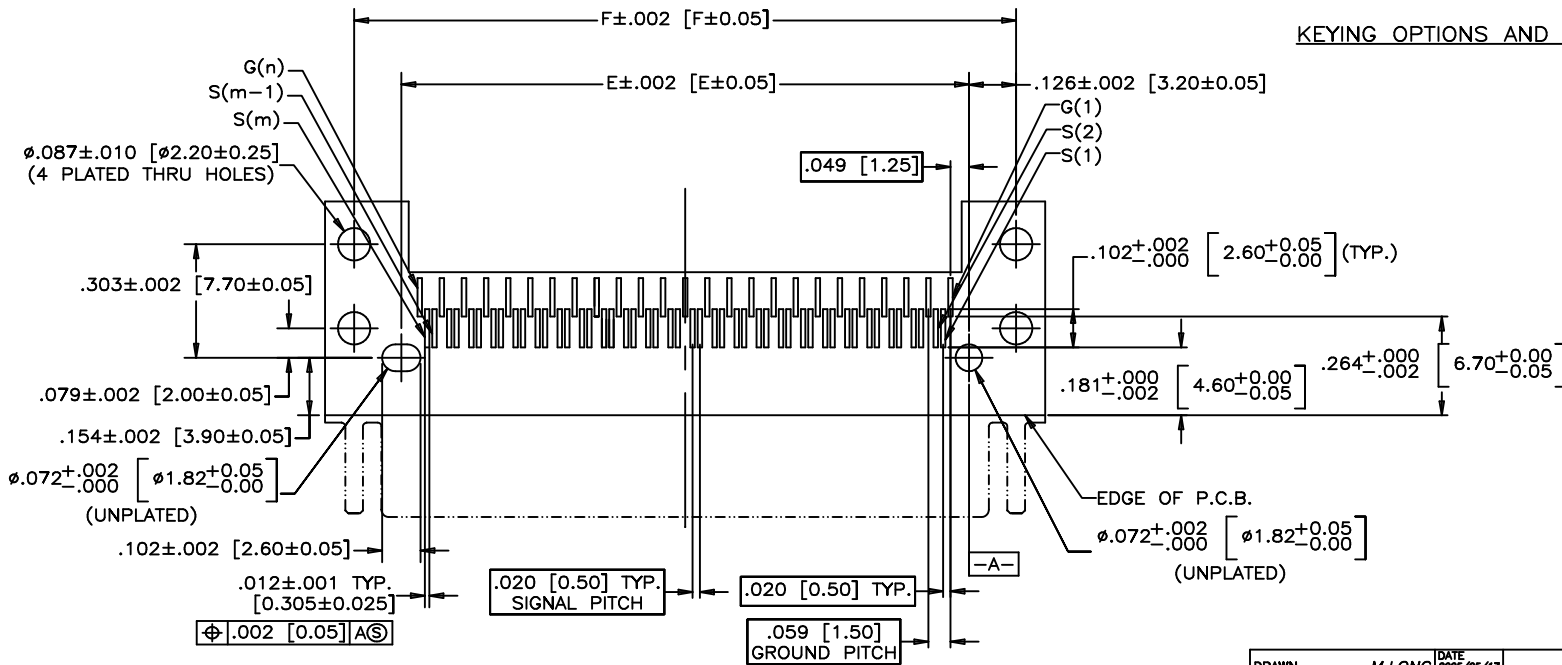
THIS IS A CAD DRAWING. DO NOT MANUALLY REVISE.



RECOMMENDED PANEL CUTOUT



KEYING OPTIONS AND LOCATIONS



RECOMMENDED P.C.B. LAYOUT
(COMPONENTS SIDE OF BOARD)

DRAWN	M.LONG	DATE	2005/05/17
DESIGNED			
CHECKED	J.SI	DATE	2005/05/17
I. E. APPRD.			
Q. A. APPRD.			
DWG. APPRD.			
ENG. REL. NO.			
REF.			
DIMENSIONS ARE IN	CODE ID. NO.		
INCHES [mm]	03554		

Amphenol Canada Corp.			
TITLE			
INFINITY 4X/12X RECEPTACLE, LANYARD			
STYLE, FIXED BOARD, RIGHT ANGLE SMT,			
(4) SOLDER POSTS OR (4) MOUNTING HOLES			
DWG	DRAWING NO.	REV.	
A	P-U65-XXX-XX6XXX	H	
SCALE	2/1	WT.	-----
SURF.	-----	SHEET	4 OF 4

THIS DOCUMENT CONTAINS PROPRIETARY INFORMATION AND SUCH INFORMATION MAY NOT BE DISCLOSED TO OTHERS FOR ANY PURPOSE OR USED FOR MANUFACTURING PURPOSES WITHOUT WRITTEN PERMISSION FROM AMPHENOL CANADA CORP.

X-ON Electronics

Largest Supplier of Electrical and Electronic Components

Click to view similar products for [I/O Connectors](#) category:

Click to view products by [Amphenol](#) manufacturer:

Other Similar products are found below :

[571763P](#) [58098-0628](#) [72.250.1628.2](#) [72.250.2428.2](#) [74720-0505](#) [76.350.0729.0](#) [76871-1403](#) [FCN-244F080-G/1](#) [FCN-260A9920](#) [MP-5T180MUNNA-005](#) [PCR-E36PM](#) [PCS-XE26MA+](#) [G38A71314B](#) [1571250010](#) [157-22500-3](#) [MS3471L14-19P L/C](#) [192991-0703](#) [172501-4002](#) [172501-6002](#) [FCN-260C008-A/L0](#) [FCN-260C024-AL0](#) [FCN-261Z008](#) [2000314-1](#) [200331-1](#) [PCR-E36FC+](#) [PCS-E28FS+](#) [PCS-XE26SLFD+](#) [PCS-XE26SLFDT+](#) [G730VID08BDC24](#) [HDR-E14MSG1+](#) [U90B2054081210](#) [UE86K842720321](#) [38113800006](#)
[DP3AR020WQ1R200](#) [Z4.102.0680.0](#) [500-1040](#) [500-1052](#) [500-1054](#) [ZP-4008-66L](#) [0709821002](#) [DX40-20P\(55\)](#) [5554841-1](#) [MS3474W18-8P-LC*](#) [SM3106F14S-7S-LC](#) [U90B3054061110](#) [U65-E04-4020](#) [ZPF000000000097891](#) [557-262M2-06C](#) [747360449](#) [10099439-003C-TRLF](#)