

MATERIAL (RoHS COMPLIANT):

CAGE:
COPPER ALLOY

PLATING:(SEE PART NUMBER FOR OPTION)

OPTION1:100µ" [2.54 µm] MIN. BRIGHT TIN PLATING OVER 50 µ" (1.27 µm) MIN. NICKEL UNDER PLATING. (BRIGHT TIN SOLDER TEMPERATURE 230°C MAX.).

OPTION3: 100µ" [2.54 µm] MIN. MATTE TIN PLATING OVER 50 µ" (1.27 µm) MIN. NICKEL UNDER PLATING.(MATTE TIN

SOLDER TEMPRETURE 245°C MAX. IN 10 SECONDS OF PEAK TIME,)

DUST COVER
THERMOPLASTIC, COLOR BLACK.

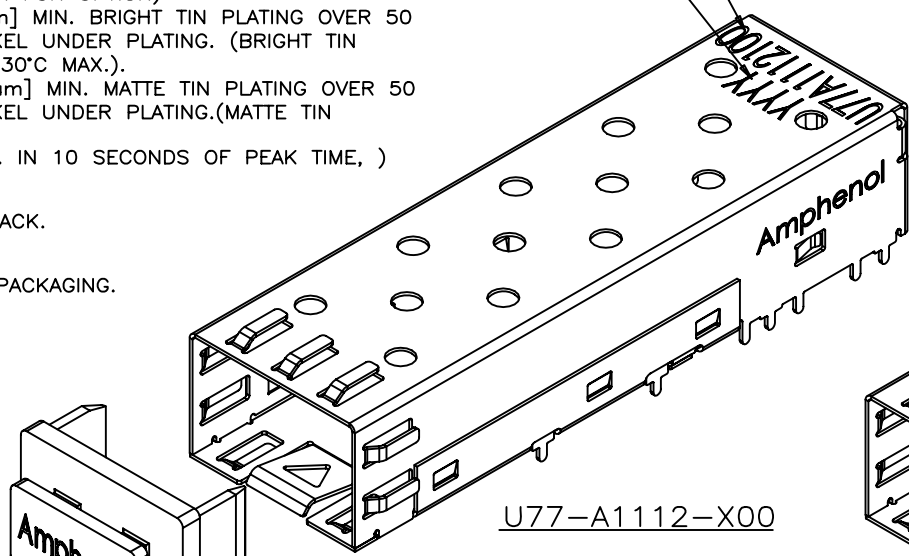
PACKAGING:
TAPE AND REEL OR TRAY PACKAGING.

TEMPERATURE RANGE:
-40°C TO +85°C

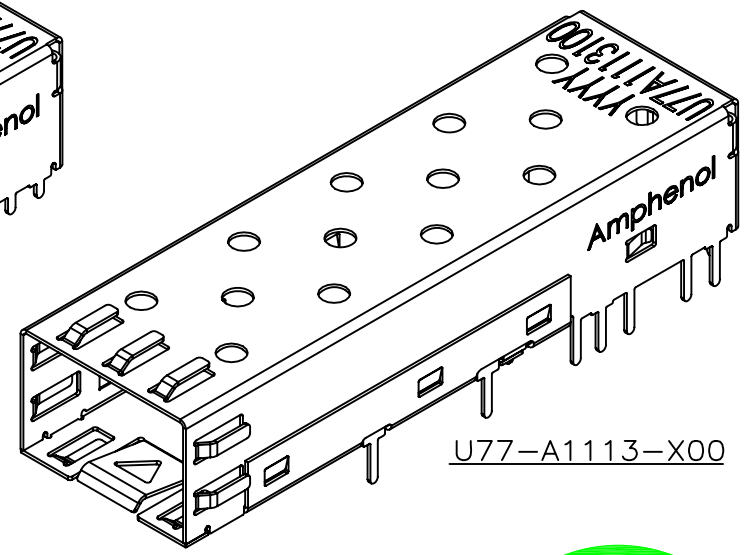
PART NUMBER
(P/N DOES NOT INCLUDE PACKAGING
TYPE AND DUST COVER OPTION)

DATE CODE

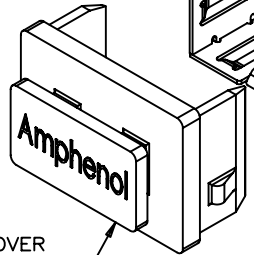
| REVISIONS | | | |
|-----------|------|--------------------------------|-----------------|
| SYM | ZONE | ECN, ERN NO. | DATE APPRD. |
| D | | UPDATED | 2006/03/01 |
| E | | MATTE TIN PLATING OPTION ADDED | 2007/07/29 J.SI |
| F | | PACKAGING DETAILS ADDED | AUG14/07 A.G. |



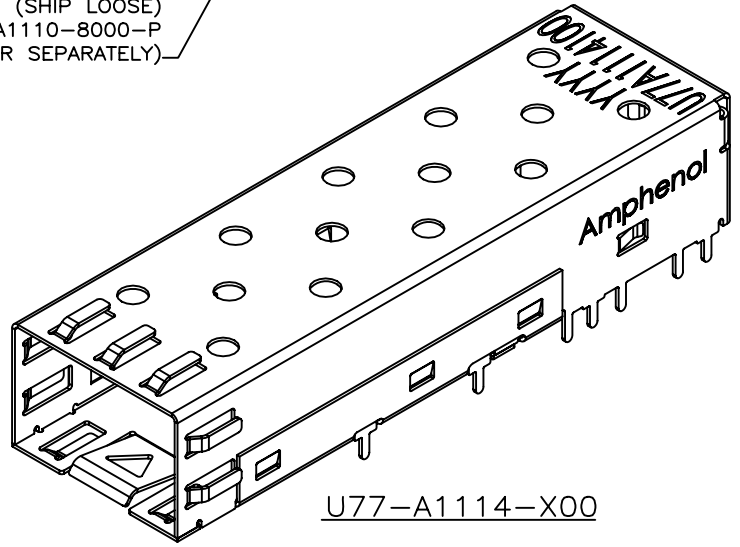
U77-A1112-X00



U77-A1113-X00



OPTIONAL DUST COVER
(SHIP LOOSE)
P/N U77-A1110-8000-P
(IF ORDER SEPARATELY)



U77-A1114-X00



AMPHENOL PART NUMBER CONFIGURATION

U77 - A 1 1 1 X - X X 0 X

SOLDER TAIL HEIGHT
2 = 1.2 mm (20 SOLDER PINS)
3 = 3.2 mm (20 SOLDER PINS)
4 = 1.8 mm (20 SOLDER PINS)

PLATING
1 = BRIGHT TIN PLATING
3 = MATTE TIN PLATING

OPTIONAL DUST COVER
0 = NO DUST COVER
D = WITH DUST COVER (SHIP LOOSE)

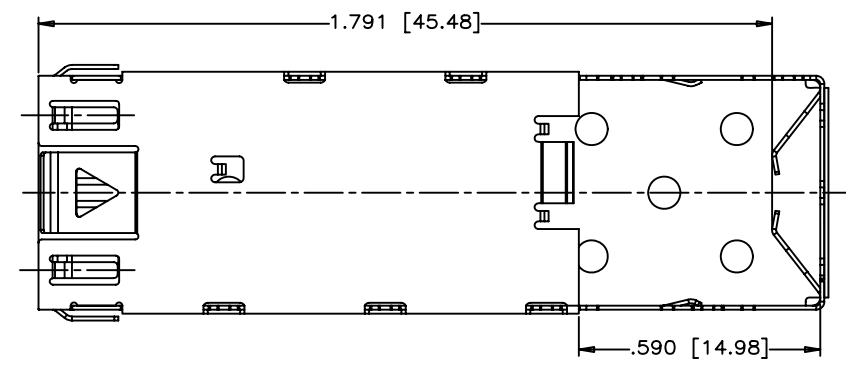
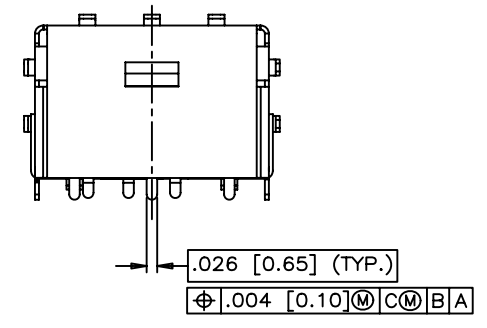
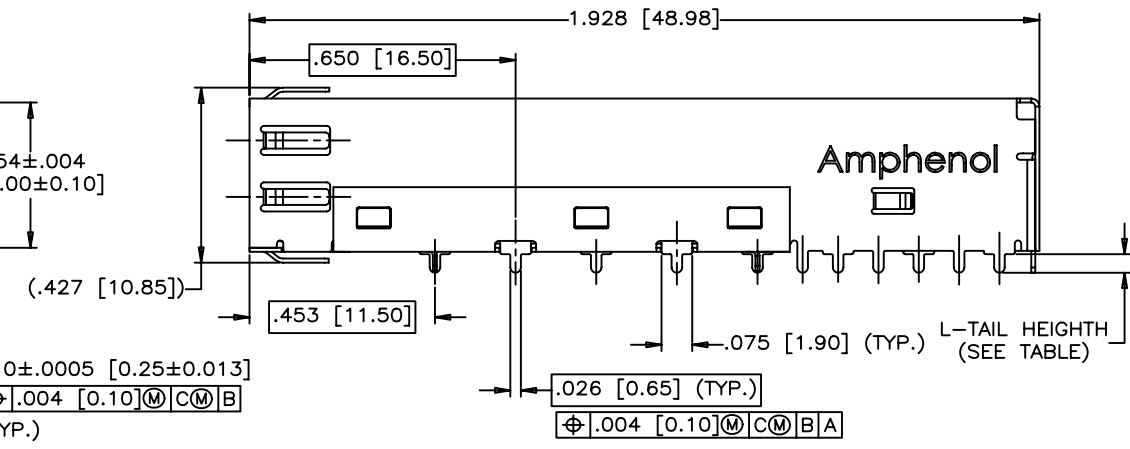
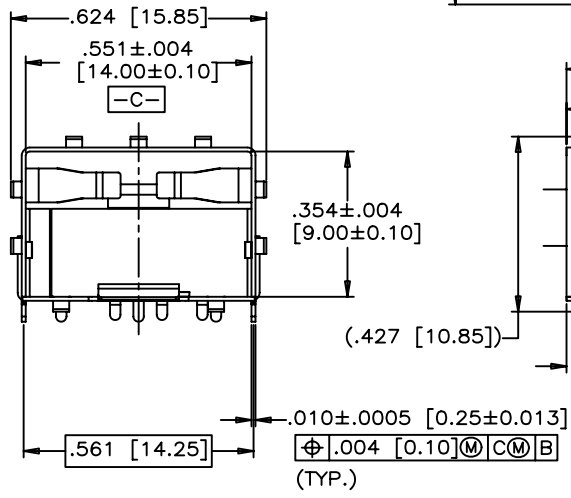
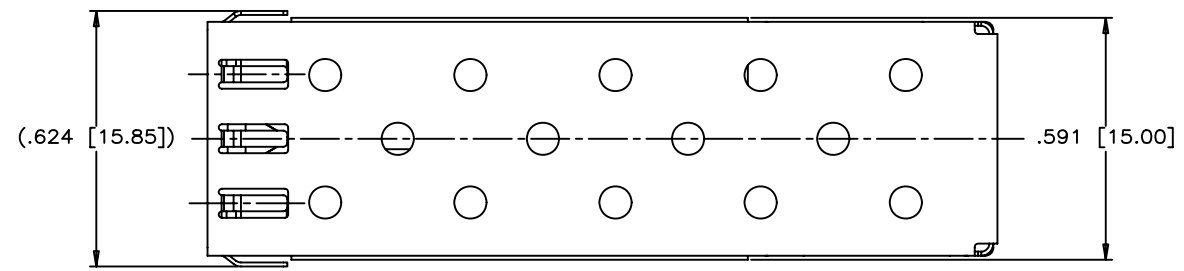
PACKAGING
1 = TRAY PACKAGING
(SEE PAGE 5 FOR DETAILS)
T = TAPE & REEL PACKAGING
(STANDARD CAGE ORIENTATION)
(SEE PAGE 6 FOR DETAILS)
R = TAPE & REEL PACKAGING
(REVERSED CAGE ORIENTATION)
(SEE PAGE 7 FOR DETAILS)

| | | | |
|-------------------|--------------|------|------------|
| DRAWN | J.SI | DATE | 2006/02/23 |
| DESIGNED | J.SI | DATE | 2006/02/23 |
| CHECKED | X | | X |
| DWG. APPRD. | | | |
| ENG. REL. NO. | | | |
| REF. | X | | |
| DIMENSIONS ARE IN | CODE ID. NO. | | |
| INCHES (mm) | 03554 | | |

| | | |
|-------------------------------------|------------------|--------------|
| Amphenol Canada Corp. | | |
| TITLE | | |
| SFP SINGLE CAGE WITH SOLDER PINS | | |
| DWG | DRAWING NO. | REV. |
| A | P-U77-A111X-XX0X | F |
| SCALE | WT. | SURF. |
| 2:1 | | |
| | | SHEET 1 OF 7 |

THIS DOCUMENT CONTAINS PROPRIETARY INFORMATION AND SUCH INFORMATION MAY NOT BE DISCLOSED TO OTHERS FOR ANY PURPOSE OR USED FOR MANUFACTURING PURPOSES WITHOUT WRITTEN PERMISSION FROM AMPHENOL CANADA CORP.

| REVISIONS | | | | |
|-----------|------|--------------------------------|------------|--------|
| SYM | ZONE | ECN, ERN NO. | DATE | APPRD. |
| D | | UPDATED | 2006/03/01 | |
| E | | MATTE TIN PLATING OPTION ADDED | 2007/07/29 | J.SI |
| F | | PACKAGING DETAILS ADDED | AUG14/07 | A.G. |



TABLE

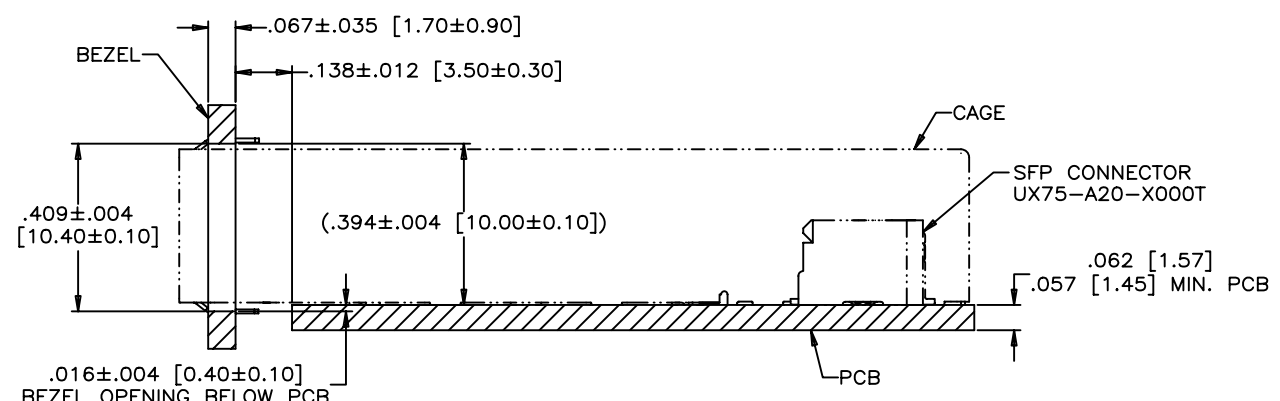
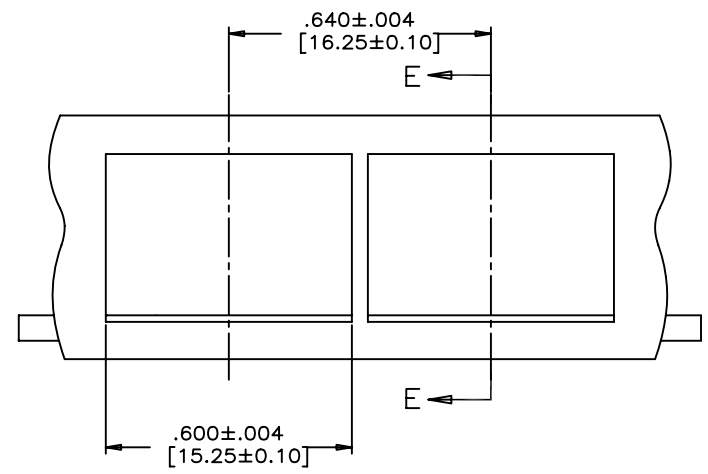
| PART NUMBER | SOLDER TAIL HEIGHT (mm) |
|----------------|-------------------------|
| U77-A1112-XX0X | 1.20 |
| U77-A1113-XX0X | 3.20 |
| U77-A1114-XX0X | 1.80 |

| | | | |
|-------------------|--------------|------|------------|
| DRAWN | J.SI | DATE | 2006/02/23 |
| DESIGNED | J.SI | DATE | 2006/02/23 |
| CHECKED | X | | |
| DWG. APPRD. | | | |
| ENG. REL. NO. | | | |
| REF. | X | | |
| DIMENSIONS ARE IN | CODE ID. NO. | | |
| INCHES (mm) | 03554 | | |

| | | |
|----------------------------------|------------------|-------|
| Amphenol Canada Corp. | | |
| TITLE | | |
| SFP SINGLE CAGE WITH SOLDER PINS | | |
| DWG | DRAWING NO. | REV. |
| A | P-U77-A111X-XX0X | F |
| SCALE | WT. | SURF. |
| 2:1 | | |
| SHEET 2 OF 7 | | |

THIS DOCUMENT CONTAINS PROPRIETARY INFORMATION AND SUCH INFORMATION MAY NOT BE DISCLOSED TO OTHERS FOR ANY PURPOSE OR USED FOR MANUFACTURING PURPOSES WITHOUT WRITTEN PERMISSION FROM AMPHENOL CANADA CORP.

| REVISIONS | | | | |
|-----------|------|--------------------------------|------------|--------|
| SYM | ZONE | ECN, ERN NO. | DATE | APPRD. |
| D | | UPDATED | 2006/03/01 | |
| E | | MATTE TIN PLATING OPTION ADDED | 2007/07/29 | J.SI |
| F | | PACKAGING DETAILS ADDED | AUG14/07 | A.G. |



SECTION E-E

RECOMMENDED BEZEL DESIGN
(ONE SIDE CAGE MOUNTING)

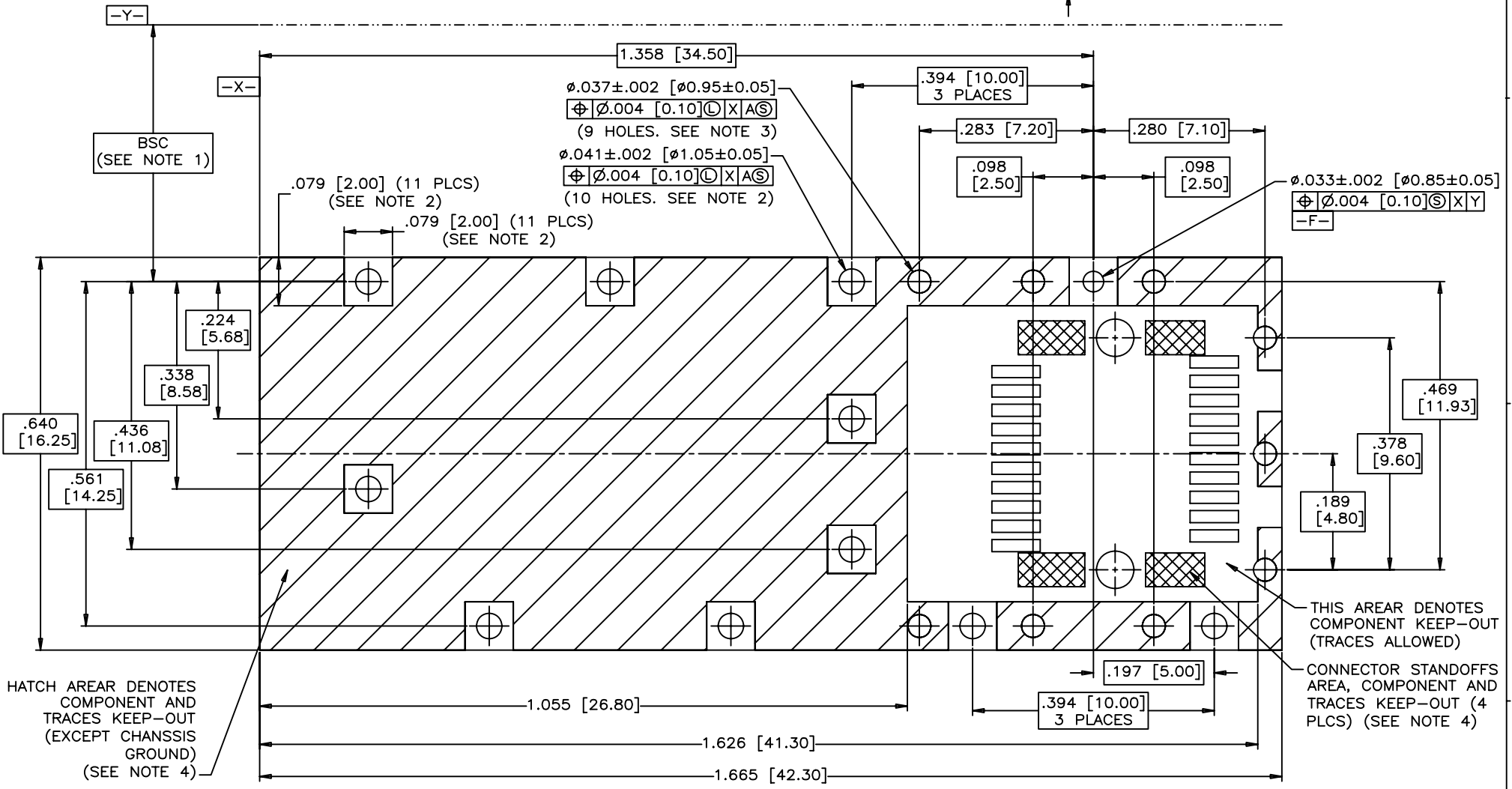
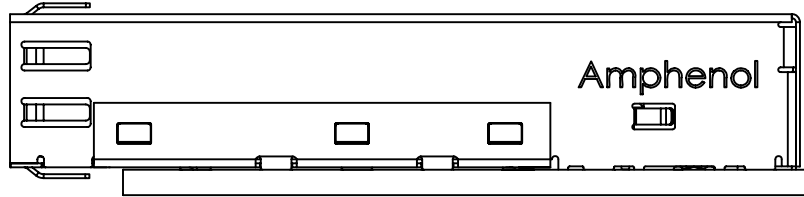
| | | | |
|-------------------|--------|--------------|------------|
| DRAWN | J.SI | DATE | 2006/02/23 |
| DESIGNED | J.SI | DATE | 2006/02/23 |
| CHECKED | X | | |
| DWG. APPRD. | | | |
| ENG. REL. NO. | | | |
| REF. | X | | |
| DIMENSIONS ARE IN | INCHES | CODE ID. NO. | 03554 |

| | | |
|----------------------------------|------------------|--------------|
| Amphenol Canada Corp. | | |
| TITLE | | |
| SFP SINGLE CAGE WITH SOLDER PINS | | |
| DWG | DRAWING NO. | REV. |
| A | P-U77-A111X-XX0X | F |
| SCALE | 2:1 | SHEET 3 OF 7 |

THIS DOCUMENT CONTAINS PROPRIETARY INFORMATION AND SUCH INFORMATION MAY NOT BE DISCLOSED TO OTHERS FOR ANY PURPOSE OR USED FOR MANUFACTURING PURPOSES WITHOUT WRITTEN PERMISSION FROM AMPHENOL CANADA CORP.

- NOTES:
 1. DATUM AND BASIC DIMENTIONS ESTABLISHED BY CUSTOMER
 2. PADS AND VIAS ARE CHASSIS GROUND, 11 PLACES.
 3. THRU HOLES, PLATING OPTIONAL.
 4. SEE DRAWINGS P-U75-A20-XX00X FOR CONNECTOR PCB LAYOUT.

| REVISIONS | | | | |
|-----------|------|--------------------------------|------------|--------|
| SYM | ZONE | ECN, ERN NO. | DATE | APPRD. |
| D | | UPDATED | 2006/03/01 | |
| E | | MATTE TIN PLATING OPTION ADDED | 2007/07/29 | J.SI |
| F | | PACKAGING DETAILS ADDED | AUG14/07 | A.G. |



RECOMMENDED SFP HOST BOARD LAYOUT
 (ONE SIDE CAGE MOUNTING)
 (SCALE 4:1)

| | | | |
|-------------------|--------------|------|------------|
| DRAWN | J.SI | DATE | 2006/02/23 |
| DESIGNED | J.SI | DATE | 2006/02/23 |
| CHECKED | X | | |
| DWG. APPRD. | | | |
| ENG. REL. NO. | | | |
| REF. | X | | |
| DIMENSIONS ARE IN | CODE ID. NO. | | |
| INCHES (mm) | 03554 | | |

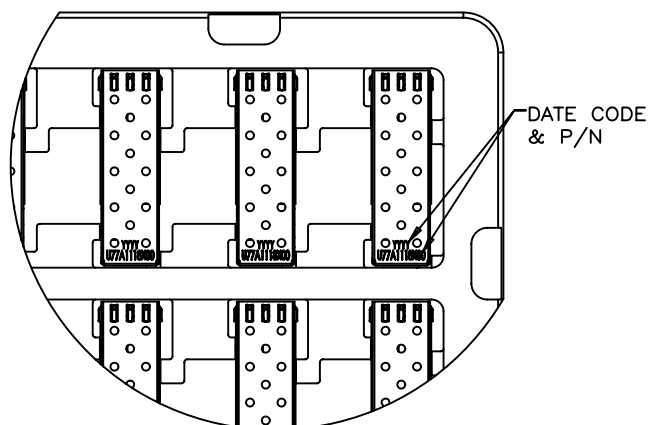
| | | |
|----------------------------------|------------------|-------|
| Amphenol Canada Corp. | | |
| TITLE | | |
| SFP SINGLE CAGE WITH SOLDER PINS | | |
| DWG | DRAWING NO. | REV. |
| A | P-U77-A111X-XX0X | F |
| SCALE | WT. | SURF. |
| 2:1 | | |
| SHEET 4 OF 7 | | |

THIS DOCUMENT CONTAINS PROPRIETARY INFORMATION AND SUCH INFORMATION MAY NOT BE DISCLOSED TO OTHERS FOR ANY PURPOSE OR USED FOR MANUFACTURING PURPOSES WITHOUT WRITTEN PERMISSION FROM AMPHENOL CANADA CORP.

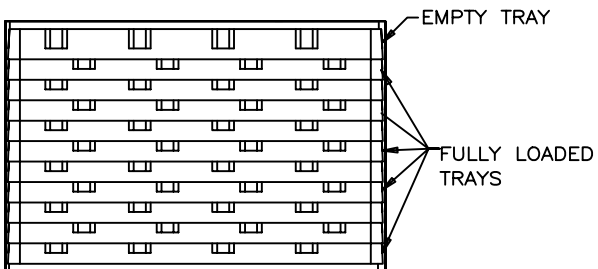
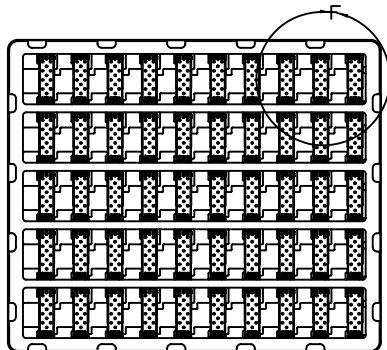
NOTES:

1. A FULLY LOADED TRAY TO CONTAIN 50 CAGES.
2. PLACE TRAYS INTO THE CARTON AS SHOWN. FULLY LOADED CARTON SHALL CONTAIN 10 TRAYS (500 SFP CAGES) PLUS ONE EMPTY TRAY ON THE TOP AS A COVER. FILL EMPTY SPACE IN THE CARTON WITH PAPER FOR ANY PARTIAL SHIPMENT.

| REVISIONS | | | | |
|-----------|------|-------------------------|----------|--------|
| SYM | ZONE | ECN, ERN NO. | DATE | APPRD. |
| F | | PACKAGING DETAILS ADDED | AUG14/07 | A.G. |
| | | | | |
| | | | | |

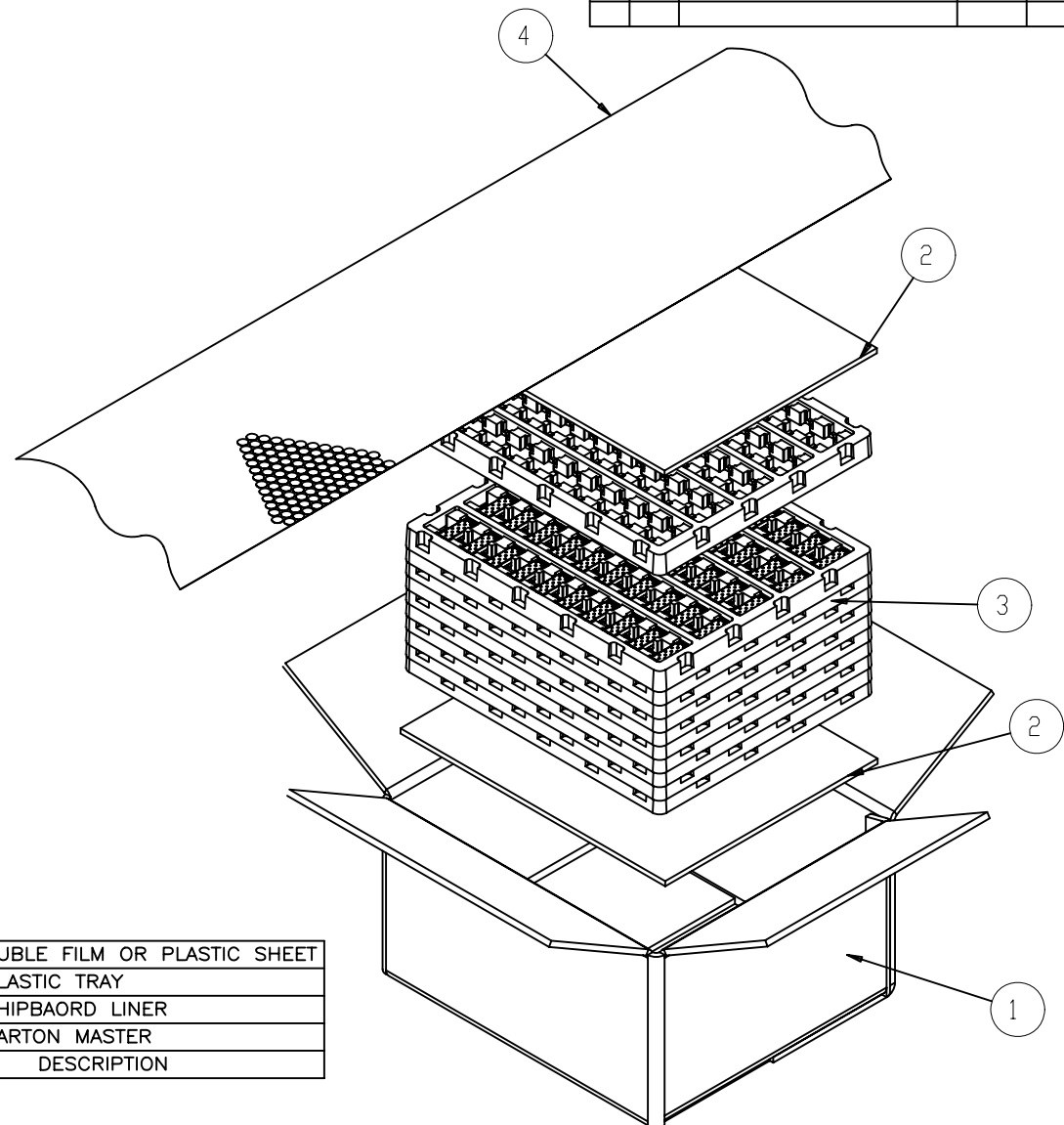


DETAIL F
SCALE 1:2



| | |
|----------|-----------------------------|
| 4 | BUBLE FILM OR PLASTIC SHEET |
| 3 | PLASTIC TRAY |
| 2 | CHIPBOARD LINER |
| 1 | CARTON MASTER |
| ITEM No. | DESCRIPTION |

U77-A111X-XX01 SHOWN



| | | | |
|-------------------|-------------|--------------|----------|
| DRAWN | J.SI | DATE | AUG12/07 |
| DESIGNED | J.SI | DATE | AUG12/07 |
| CHECKED | X | | |
| DWG. APPRD. | | | |
| ENG. REL. NO. | | | |
| REF. | X | | |
| DIMENSIONS ARE IN | INCHES (mm) | CODE ID. NO. | 03554 |

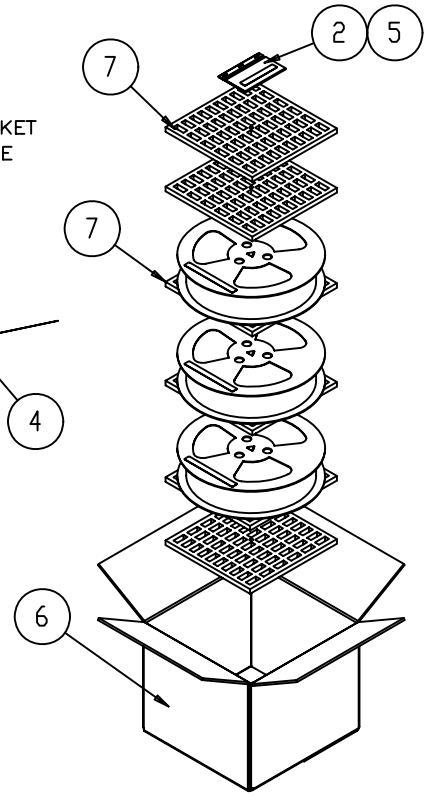
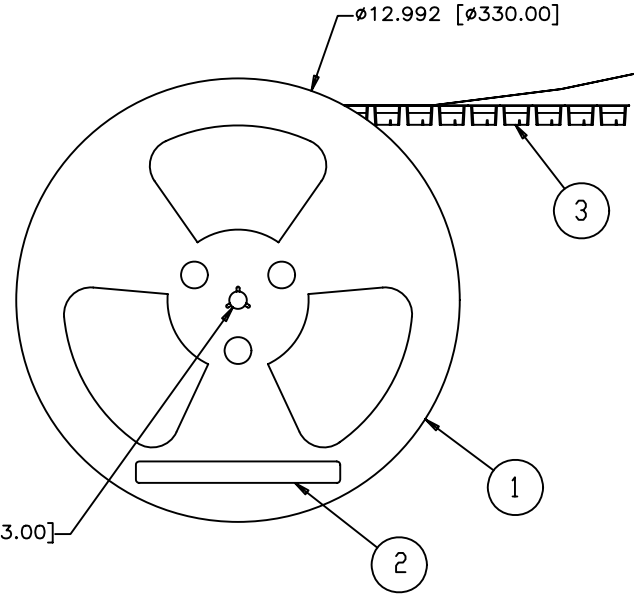
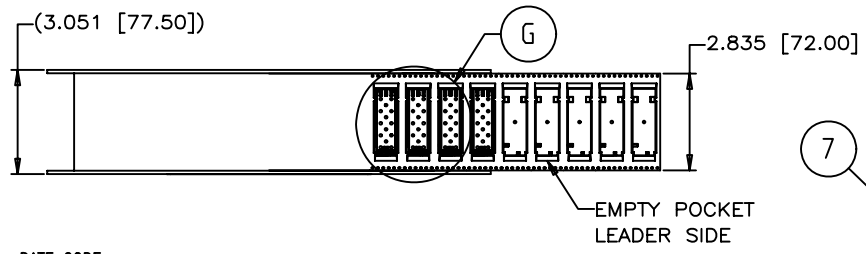
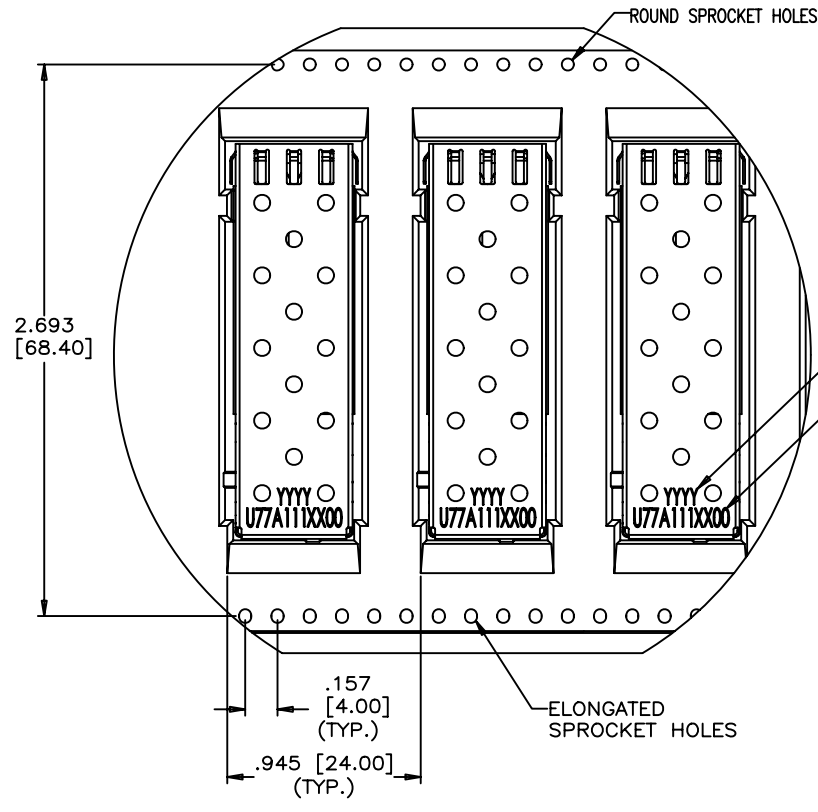
| | | |
|--|------------------|------------------------------------|
| Amphenol Canada Corp. | | |
| TITLE SFP SINGLE CAGE WITH SOLDER PINS (TRAY PACKAGING REFERENCE) | | |
| DWG | DRAWING NO. | REV. |
| A | P-U77-A111X-XX0X | F |
| SCALE | 1:8 | WT. _____ SURF. _____ SHEET 5 OF 7 |

THIS DOCUMENT CONTAINS PROPRIETARY INFORMATION AND SUCH INFORMATION MAY NOT BE DISCLOSED TO OTHERS FOR ANY PURPOSE OR USED FOR MANUFACTURING PURPOSES WITHOUT WRITTEN PERMISSION FROM AMPHENOL CANADA CORP.

NOTES:

1. A FULLY LOADED REEL TO CONTAIN 150 CAGES.
2. A FULLY LOADED CARTON SHALL CONTAIN 3 REELS.

| REVISIONS | | | | |
|-----------|------|-------------------------|----------|--------|
| SYM | ZONE | ECN, ERN NO. | DATE | APPRD. |
| F | | PACKAGING DETAILS ADDED | AUG14/07 | A.G. |
| | | | | |
| | | | | |



DETAIL G SCALE 1:2

U77-A111X-XX0T SHOWN

| 7 | FOAM INSERT |
|----------|----------------------------|
| 6 | CARTON MASTER |
| 5 | PLASTIC BAG FOR DUST COVER |
| 4 | COVER TAPE |
| 3 | CARRIER TAPE |
| 2 | LABEL |
| 1 | PLASTIC REEL (SET) |
| ITEM No. | DESCRIPTION |

| | | | |
|-------------------|-------------|--------------|----------|
| DRAWN | J.SI | DATE | AUG12/07 |
| DESIGNED | J.SI | DATE | AUG12/07 |
| CHECKED | X | | X |
| DWG. APPRD. | | | |
| ENG. REL. NO. | | | |
| REF. | X | | |
| DIMENSIONS ARE IN | INCHES (mm) | CODE ID. NO. | 03554 |

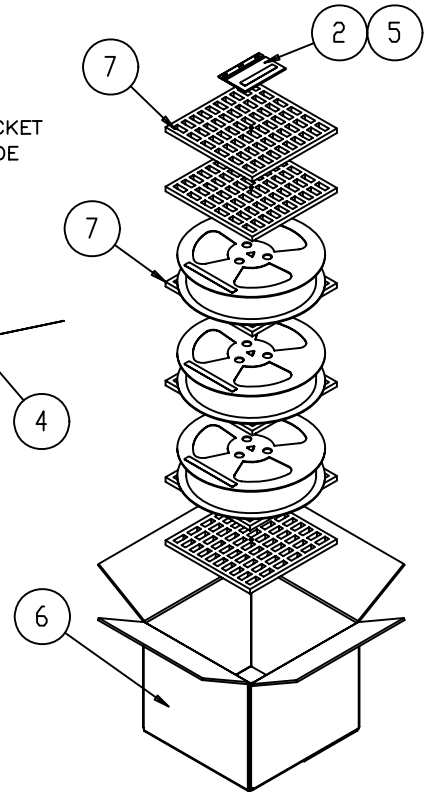
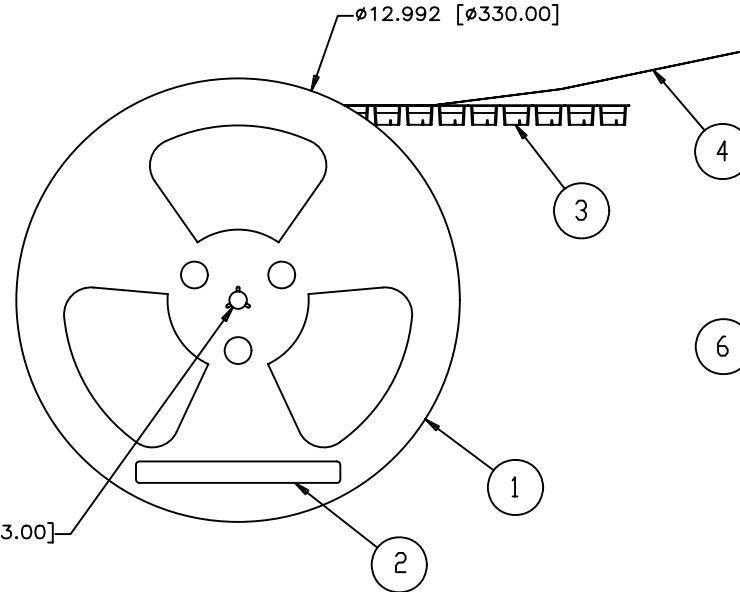
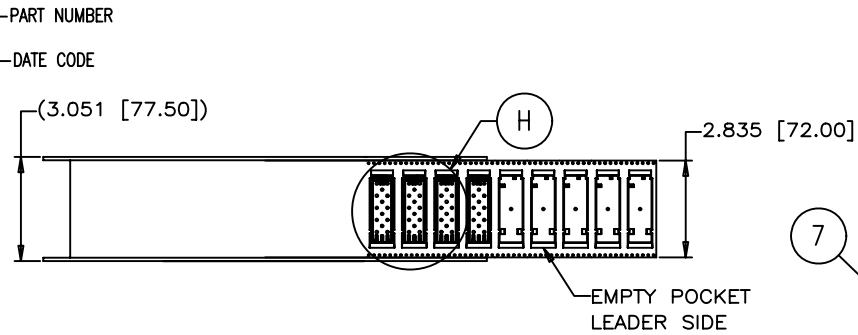
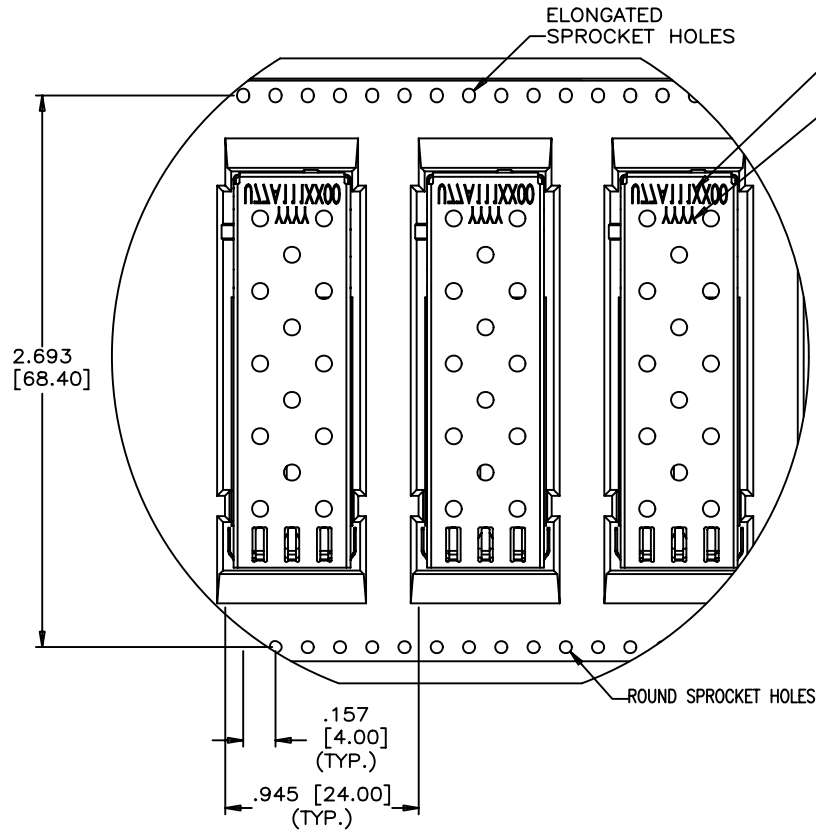
| | | |
|--|------------------|------------------------------------|
| Amphenol Canada Corp. | | |
| TITLE SFP SINGLE CAGE WITH SOLDER PINS (T&R PACKAGING STD CAGE ORIENTATION) | | |
| DWG | DRAWING NO. | REV. |
| A | P-U77-A111X-XX0X | F |
| SCALE | 1:8 | WT. _____ SURF. _____ SHEET 6 OF 7 |

THIS DOCUMENT CONTAINS PROPRIETARY INFORMATION AND SUCH INFORMATION MAY NOT BE DISCLOSED TO OTHERS FOR ANY PURPOSE OR USED FOR MANUFACTURING PURPOSES WITHOUT WRITTEN PERMISSION FROM AMPHENOL CANADA CORP.

NOTES:

1. A FULLY LOADED REEL TO CONTAIN 150 CAGES.
2. A FULLY LOADED CARTON SHALL CONTAIN 3 REELS.

| REVISIONS | | | | |
|-----------|------|-------------------------|----------|--------|
| SYM | ZONE | ECN, ERN NO. | DATE | APPRD. |
| F | | PACKAGING DETAILS ADDED | AUG14/07 | A.G. |
| | | | | |
| | | | | |



DETAIL H SCALE 1:2

U77-A111X-XX0R SHOWN

| ITEM No. | DESCRIPTION |
|----------|----------------------------|
| 7 | FOAM INSERT |
| 6 | CARTON MASTER |
| 5 | PLASTIC BAG FOR DUST COVER |
| 4 | COVER TAPE |
| 3 | CARRIER TAPE |
| 2 | LABEL |
| 1 | PLASTIC REEL (SET) |

| | | | |
|-------------------|-------------|--------------|----------|
| DRAWN | J.SI | DATE | AUG12/07 |
| DESIGNED | J.SI | DATE | AUG12/07 |
| CHECKED | X | | X |
| DWG. APPRD. | | | |
| ENG. REL. NO. | | | |
| REF. | X | | |
| DIMENSIONS ARE IN | INCHES (mm) | CODE ID. NO. | 03554 |

| | | | |
|--|------------------|-------|--------|
| Amphenol Canada Corp. | | | |
| TITLE SFP SINGLE CAGE WITH SOLDER PINS (T&R PACKAGING STD CAGE ORIENTATION) | | | |
| DWG | DRAWING NO. | REV. | |
| A | P-U77-A111X-XX0X | F | |
| SCALE | 1:8 | WT. | |
| SURF. | | SHEET | 6 OF 7 |

THIS DOCUMENT CONTAINS PROPRIETARY INFORMATION AND SUCH INFORMATION MAY NOT BE DISCLOSED TO OTHERS FOR ANY PURPOSE OR USED FOR MANUFACTURING PURPOSES WITHOUT WRITTEN PERMISSION FROM AMPHENOL CANADA CORP.

X-ON Electronics

Largest Supplier of Electrical and Electronic Components

Click to view similar products for [I/O Connectors](#) category:

Click to view products by [Amphenol](#) manufacturer:

Other Similar products are found below :

[571763P](#) [58098-0628](#) [72.250.1628.2](#) [72.250.2428.2](#) [74720-0505](#) [76.350.0729.0](#) [76871-1403](#) [FCN-244F080-G/1](#) [FCN-260A9920](#) [MP-5T180MUNNA-005](#) [PCR-E36PM](#) [PCS-XE26MA+](#) [G38A71314B](#) [1571250010](#) [157-22500-3](#) [MS3471L14-19P L/C](#) [192991-0703](#) [172501-4002](#) [172501-6002](#) [FCN-260C008-A/L0](#) [FCN-260C024-AL0](#) [FCN-261Z008](#) [2000314-1](#) [200331-1](#) [PCR-E36FC+](#) [PCS-E28FS+](#) [PCS-XE26SLFD+](#) [PCS-XE26SLFDT+](#) [G730VID08BDC24](#) [HDR-E14MSG1+](#) [U90B2054081210](#) [UE86K842720321](#) [38113800006](#)
[DP3AR020WQ1R200](#) [Z4.102.0680.0](#) [500-1040](#) [500-1052](#) [500-1054](#) [ZP-4008-66L](#) [0709821002](#) [DX40-20P\(55\)](#) [5554841-1](#) [MS3474W18-8P-LC*](#) [SM3106F14S-7S-LC](#) [U90B3054061110](#) [U65-E04-4020](#) [ZPF000000000097891](#) [557-262M2-06C](#) [747360449](#) [10099439-003C-TRLF](#)