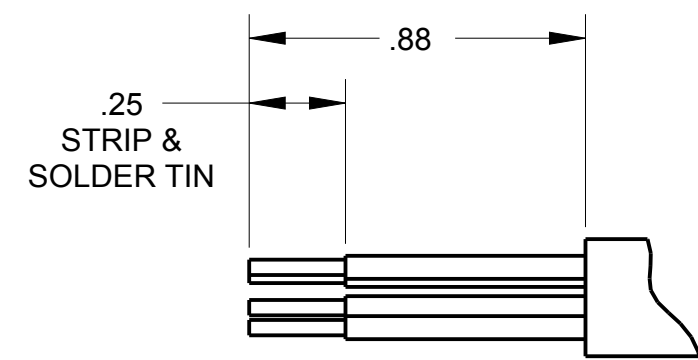
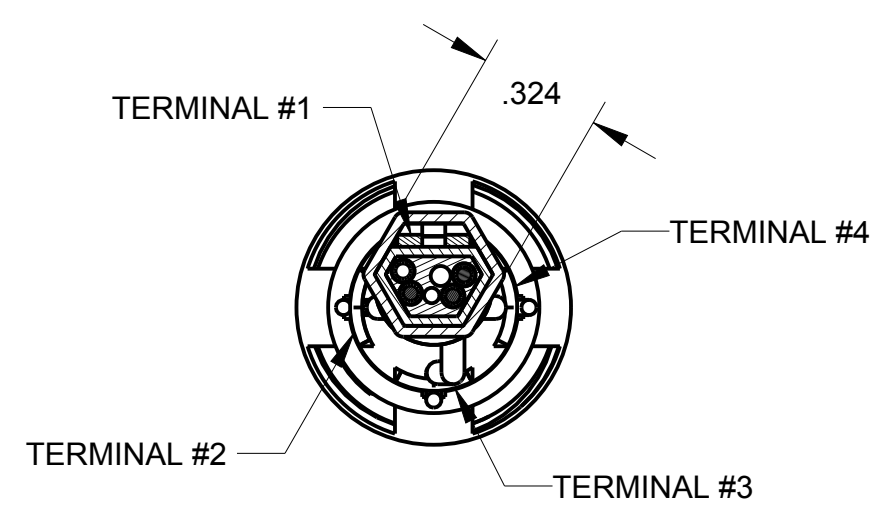
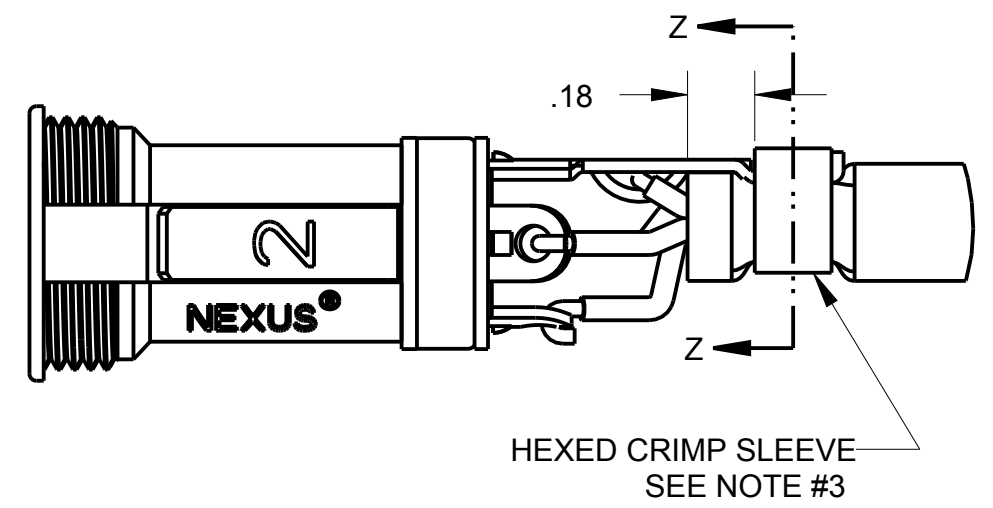
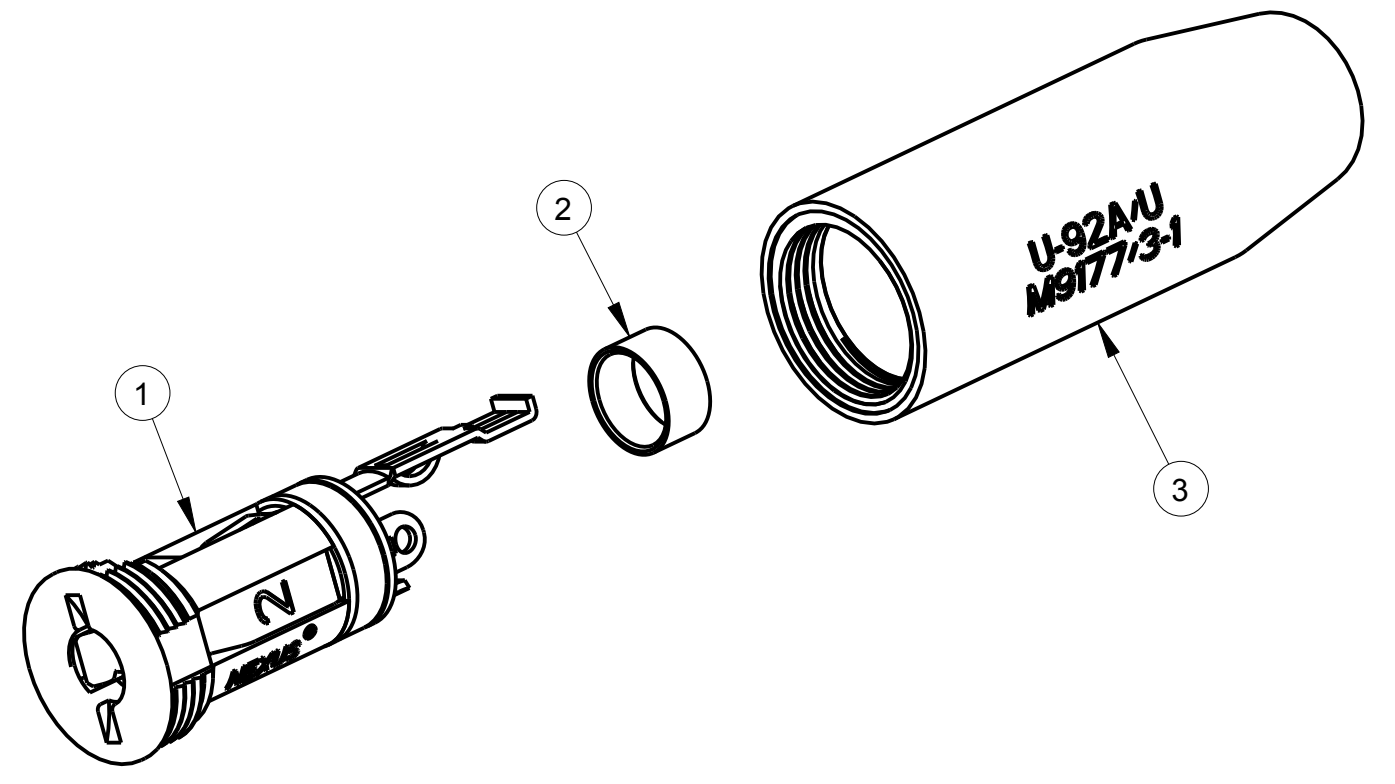
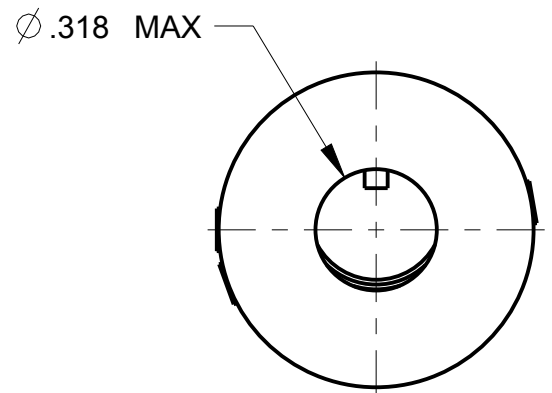
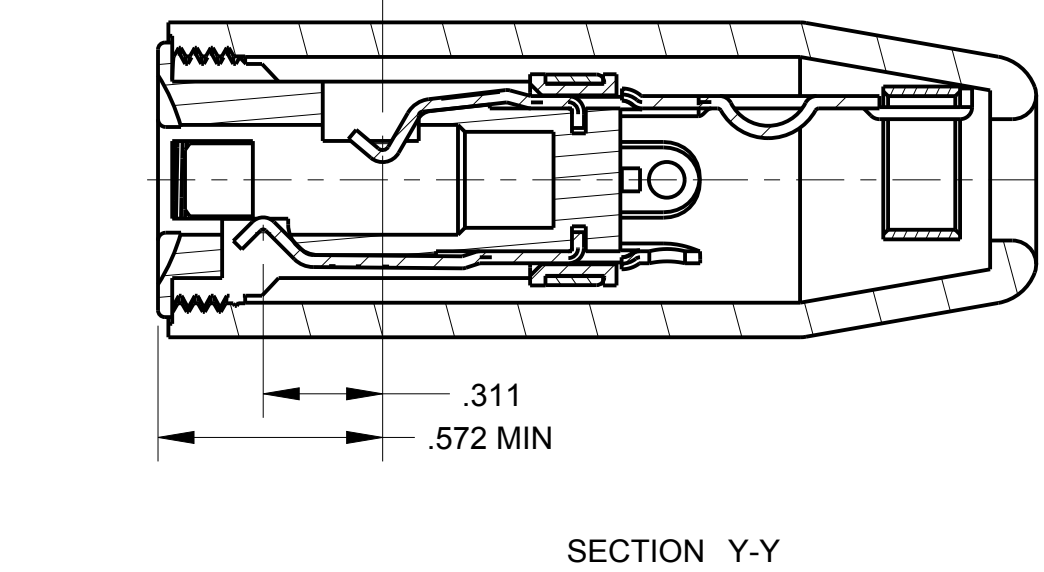
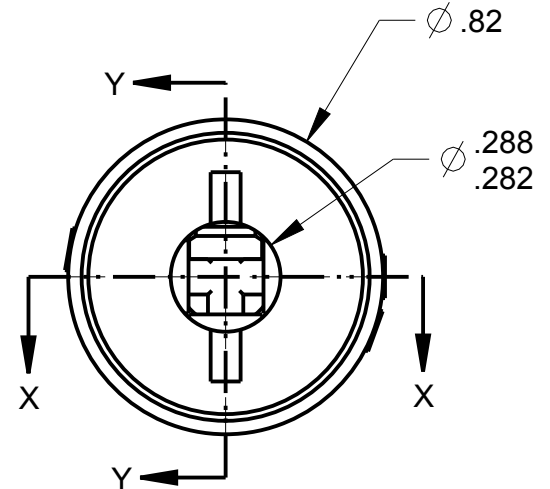
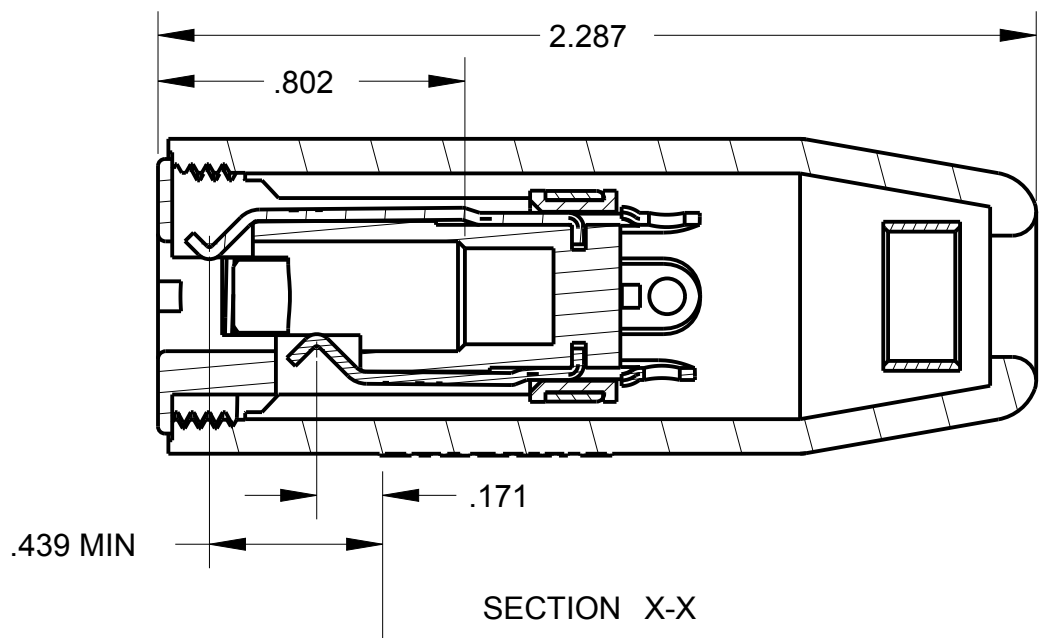


ITEM #	PART #	QTY	DESCRIPTION
1	TJ-102-9	1	JACK ASSEMBLY
2	TP-102-20	1	CRIMP SLEEVE
3	TJ-102-6	1	SHELL

C TJ-102

NOTES:
 1) EACH PART SHALL BE MARKED WITH U-92A/U & M9177/3-1
 2) PART SHALL BE ON QUALIFIED PRODUCT LIST FOR MIL-C-9177/3A
 3) CRIMPING TOOLS: USE M22520/5-01 HAND TOOL W/CRIMP DIE M22520/5-29, M22520/5-35 OR M22520/5-55
 4) MATING CONNECTORS M9177/1-1, & M9177/2-1



RECOMMENDED CABLE:
 WM-14/U (4-COND)
 FOR USE WITH U-94A/U

THIS DOCUMENT CONTAINS PROPRIETARY INFORMATION OF NEXUS, INCORPORATED AND SUCH INFORMATION MAY NOT BE DISCLOSED TO OTHERS FOR ANY PURPOSE OR USED FOR ANY PURPOSE WITHOUT THE WRITTEN CONSENT OF NEXUS.

					DWN.BY IDH	DATE 1/23/87	MATERIAL	
					CHECKED BY	DATE	FINISH	
					APPR.BY	DATE	WEIGHT	SCALE = 4.00 :1
C	CHG: TJS-102-9 TO TJ-102-9(D-8)		10/18 2016	HR	UNLESS OTHERWISE SPECIFIED DIMENSIONS ARE IN INCHES & OR (mm)		TITLE	NEXUS STAMFORD, CONN.
B	ADD: BOM & EXP VIEW	220	3/25 2015	HR	TOLERANCES:		TELEPHONE JACK	
A	SECTION A-A CONFIG CHANGED		1/26 1990		DECIMAL: ±.XX[X.X] ±.XXX[X.XX] ±.XXXX[X.XXX] ±.0X[0.X] ±.00X[0.0X] ±.000X[0.0XX]		DO NOT SCALE DWG.	SHEET 1 OF 1
LET.	REVISION	CN #	DATE	CHK	FRACTION: ±X/XX ±X/XX ANGLES: ±X° ±X°		SIZE C	DWG. NO. TJ-102

X-ON Electronics

Largest Supplier of Electrical and Electronic Components

Click to view similar products for [Phone Connectors](#) category:

Click to view products by [Amphenol](#) manufacturer:

Other Similar products are found below :

[M444B](#) [6J1041A](#) [R4F](#) [E12BPKG](#) [ECP4PKG](#) [161-3502L-E](#) [MT333X](#) [171-0350-EX](#) [171-101A-EX](#) [171-3325-EX](#) [176S](#) [NC3MG-V](#)
[NYS228G](#) [P10834](#) [P2380](#) [P2381X](#) [P2411X](#) [P2412](#) [P2724](#) [JM2PB-AU BULK](#) [9144](#) [S2674](#) [280L](#) [163-156N-2-E](#) [163-158N-2-E](#) [171-3308-](#)
[EX](#) [171-3500-E](#) [2501FT](#) [CMT335](#) [M10662](#) [330Q](#) [RJ5VI-S](#) [40116](#) [TM1R-AU](#) [TM2PBMJ-AU](#) [TM2PJ-AU](#) [TM2PJ-AU BULK](#) [4803.1351](#)
[49201](#) [49205](#) [TS3PBJ-AU](#) [TS3PBMJ-AU](#) [TT32BX](#) [54B](#) [40112](#) [40205](#) [XMT332B](#) [52170017-331](#) [570](#) [NM3](#)