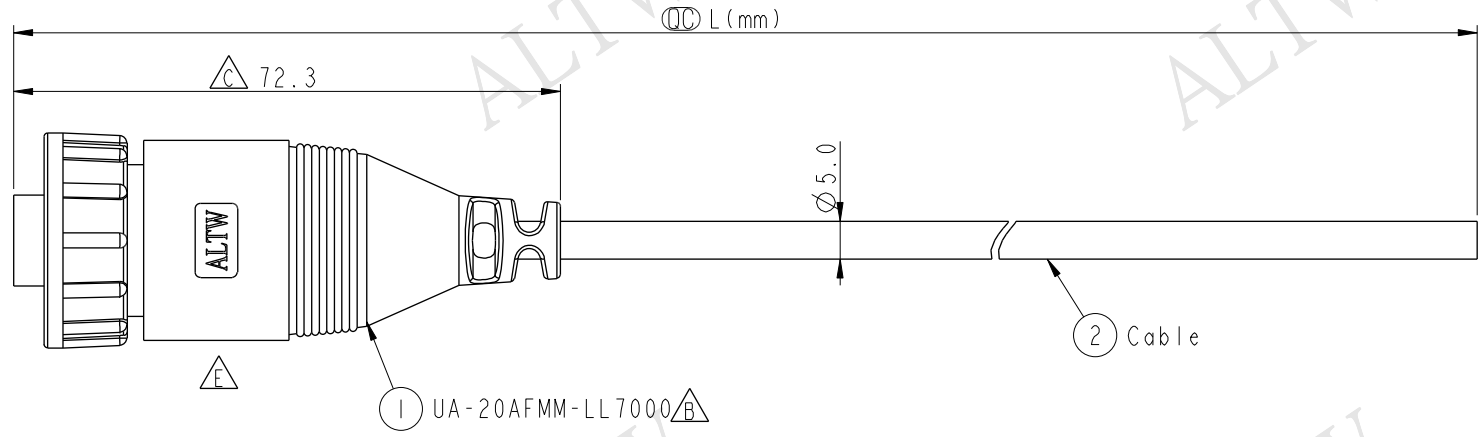
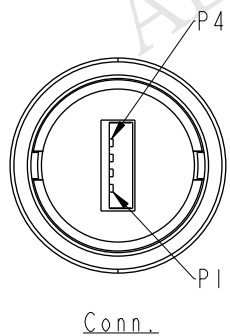


REV.	ECN NO.	DATE	SIGN	DESCRIPTION
C	LEN1470046~049	2014-07-07	Yulong_wang	Change Dimension
D	LEN1470265~268	2014-07-22	Sam	Midify Note&Twist.
E	LEN15C0108~111	2015-11-06	Ruru	Change Logo & Note



ALTW
CONFIDENTIAL
2015-11-06
R&D DEPT.

UA-20AFMM-LL7AXX ②
 XX: 01~05Meters
 01: 01Meters
 02: 02Meters
 :
 :
 05: 05Meters
 Cable Length(L): 01~05Meters

Note:
 * ③ Important Dimension
 * Waterproof Rate: IP67
 * Connector: USB A Type Male Solder Type.
 * Cable: USB 2.0, 28#*1P+24#*2C+A1/My+D+B
 Black, PVC Jacket UV Resistant, OD=5.0
 * ALL Parts Are Rohs Compliant.
 * Cable Length Tonlerance: 01M: ±40mm
 02M~05M: ±60mm
 06M~10M: ±100mm
 11M~30M: ±200mm
 31M~99M: ±500mm

Shield	Drain	地線
4	Black(24 AWG)	黑
3	Green(28 AWG)	綠
2	White(28 AWG)	白
1	Red (24 AWG)	紅
Conn.	Wire Color	

Twist ④
對線

UNIT:mm
TOLERANCE ±0.5 mm

TITLE Large Size USB A Molding Type			
SCALE 1:1	SIZE A4	SHEET 1 OF 1	
REV. E	WC-REV. A.3	③: Inspection item	

Amphenol LTW
安費諾亮泰企業股份有限公司

ITEM NO	DRAWN BY Ruru	DATE 2015-11-06
DWG NO UA-20AFMM-LL7AXX	CHECKED BY Rita	DATE 2015-11-06
CUSTOMER ALTW	APPROVED BY Lisa	DATE 2015-11-06

THIS DOCUMENT IS SUBJECT TO CHANGE WITHOUT NOTICE. IT IS CONFIDENTIAL AND A PROPERTY OF Amphenol LTW. DISCLOSURE TO THIRD PARTY HAS TO BE AUTHORIZED BY Amphenol LTW.

X-ON Electronics

Largest Supplier of Electrical and Electronic Components

Click to view similar products for [USB Cables / IEEE 1394 Cables](#) category:

Click to view products by [Amphenol](#) manufacturer:

Other Similar products are found below :

[68768-0173](#) [FNY-W6003-01](#) [88764-0800](#) [148700-1](#) [17-200621](#) [17-250051P](#) [954](#) [17-200261](#) [AC102012-1](#) [AC102012-2](#) [FTP-629Y601](#) [45-1345-15](#) [45-1358-15](#) [45-1363-15](#) [IP-USB1\(C10\)S-RW](#) [CABLE/RTP/USB/DT](#) [45-1351-15](#) [45-1357-15](#) [45-1433-1](#) [687680278](#)
[USBFTVX2SA2N03A](#) [USBFTV2SA2N03A](#) [USBFTV2SA2N05A](#) [MDM9PH004B](#) [MDM9PH004P](#) [FTP-629Y401](#) [FTP-628Y302](#) [FTP-628Y402](#) [CSMNB9MF-5](#) [FNY-W6022](#) [UA-30AMF-SD7B03](#) [UA-30AMFM-SL7B03](#) [USBAPSCC7202A](#) [UES-1001A160](#) [UES-1003A160](#)
[USBFTVX7SA2N20A](#) [USBFTV2PEMSA2N10A](#) [FTP-629Y602](#) [USBCAMCM100](#) [USB A/F*2 to 2.54 2*5P-SH L=400mm](#) [68784-0075](#)
[USB-29](#) [19800-010500-200-RS](#) [103-1092-BL-F0050](#) [103-1020-BL-00100](#) [103-1092-BL-F0200](#) [103-1092-BL-F0100](#) [105-1092-BL-00300](#)
[105-1092-BL-00200](#) [105-1031-BL-00200](#)