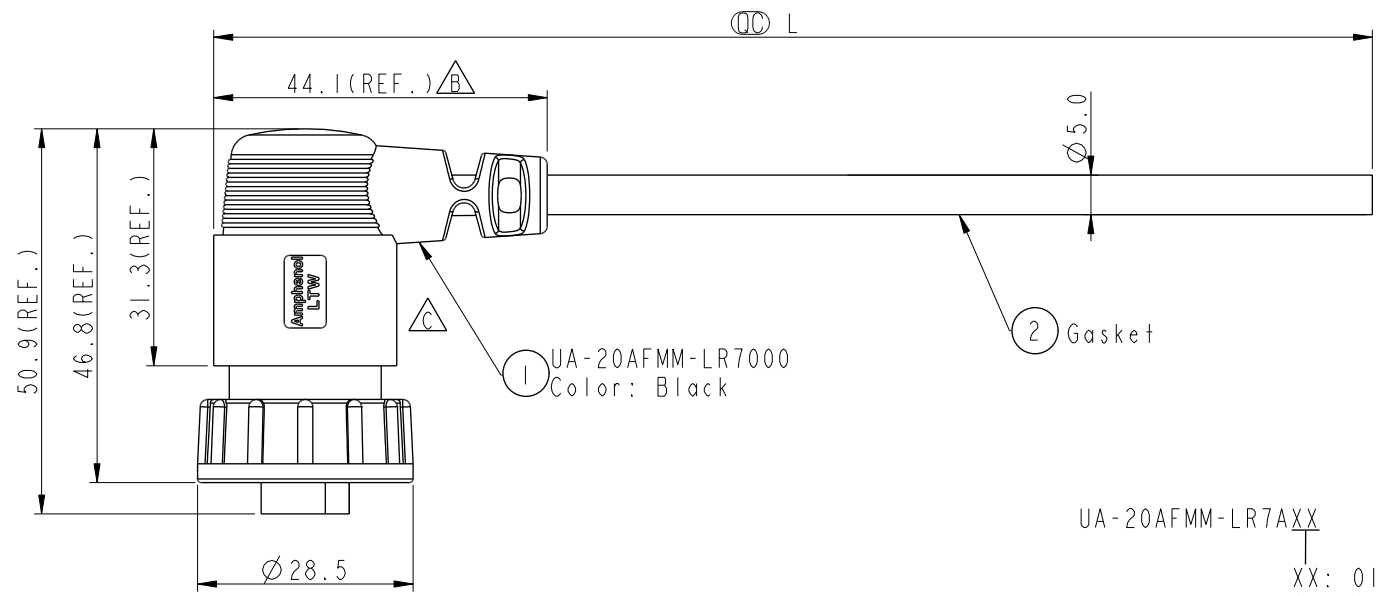
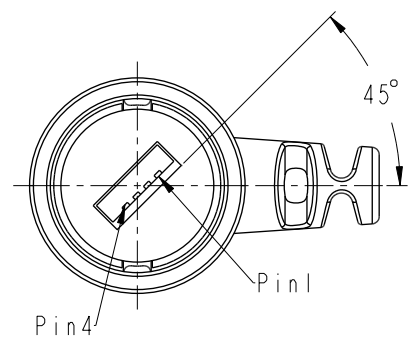


THIS DOCUMENT IS SUBJECT TO CHANGE WITHOUT NOTICE. IT IS CONFIDENTIAL AND A PROPERTY OF Amphenol LTW. DISCLOSURE TO THIRD PARTY HAS TO BE AUTHORIZED BY Amphenol LTW.

REV.	ECN NO.	DATE	SIGN	DESCRIPTION
B	LE-810003	2007/12/27	LiChiCheng	Change 44.1 to REF.
C	LEN-1310133-36	2013/02/01	RAISON	ADD LOGO
D	C210797	2021/05/21	Ruru	$\triangle$ XI



UA-20AFMM-LR7AXX  
 XX: 01~99Meter  
 01: 01Meter  
 02: 02Meters  
 ...  
 05: 05Meters  
 Cable Length(L):01~05Meters



Shield	Drain
4	Black (24AWG)
3	Green (28AWG)
2	White (28AWG)
1	Red (24AWG)
Conn.	Wire Color

Twist

- Note:
- \*  $\text{\textcircled{L}}$  Important Dimension
  - \* Waterproof Rate: IP67
  - \* USB:A Type Male Solder Type
  - \* Lock Nut: Nylon+GF
  - \* Gasket: EPDM
  - \* Cable :USB2.0 N 28AWG\*1P+24AWG\*2C+AL /MY+D+B Black OD=5.0mm
  - \* Cable Length Tolerance: 1M~5M $\pm$ 5%mm
  - \* Connector 鑲塊無需刻" "標誌

UNIT:mm		
TOLERANCE	.X $\pm$ 0.25	
	.XX $\pm$ 0.1	
	.XXX $\pm$ 0.05	
ANGLES	$\pm$ 1°	

TITLE USB, A TYPE, 2.0, CABLE W/SR F, M, MOLDING, 2LOCK $\triangle$ XI			
SCALE 1:1	SIZE A4	SHEET 1 OF 1	
REV. D	WC-REV. A.8	$\text{\textcircled{L}}$ : Inspection item	

**Amphenol LTW**  
 安費諾亮泰企業股份有限公司

ITEM NO	DRAWN BY Raison_liao	DATE 2013-02-01
DWG NO UA-20AFMM-LR7AXX	CHECKED BY TONY	DATE 2013-02-01
CUSTOMER ALTW	APPROVED BY VICTOR	DATE 2013-02-01

## X-ON Electronics

Largest Supplier of Electrical and Electronic Components

*Click to view similar products for [USB Cables / IEEE 1394 Cables](#) category:*

*Click to view products by [Amphenol](#) manufacturer:*

Other Similar products are found below :

[68768-0173](#) [FNY-W6003-01](#) [88764-0800](#) [148700-1](#) [17-200621](#) [17-250051P](#) [954](#) [17-200261](#) [AC102012-1](#) [AC102012-2](#) [FTP-629Y601](#) [45-1345-15](#) [45-1358-15](#) [45-1363-15](#) [IP-USB1\(C10\)S-RW](#) [CABLE/RTP/USB/DT](#) [45-1351-15](#) [45-1357-15](#) [45-1433-1](#) [687680278](#)  
[USBFTVX2SA2N03A](#) [USBFTV2SA2N03A](#) [USBFTV2SA2N05A](#) [MDM9PH004B](#) [MDM9PH004P](#) [FTP-629Y401](#) [FTP-628Y302](#) [FTP-628Y402](#) [CSMNB9MF-5](#) [FNY-W6022](#) [UA-30AMF-SD7B03](#) [UA-30AMFM-SL7B03](#) [USBAPSCC7202A](#) [UES-1001A160](#) [UES-1003A160](#)  
[USBFTVX7SA2N20A](#) [USBFTV2PEMSA2N10A](#) [FTP-629Y602](#) [USBCAMCM100](#) [USB A/F\\*2 to 2.54 2\\*5P-SH L=400mm](#) [68784-0075](#)  
[USB-29](#) [19800-010500-200-RS](#) [103-1092-BL-F0050](#) [103-1020-BL-00100](#) [103-1092-BL-F0200](#) [103-1092-BL-F0100](#) [105-1092-BL-00300](#)  
[105-1092-BL-00200](#) [105-1031-BL-00200](#)