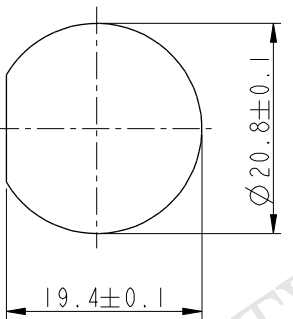
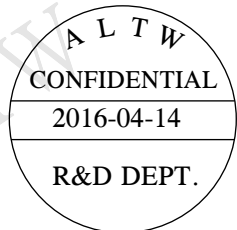
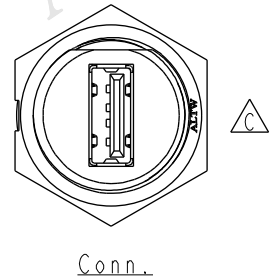
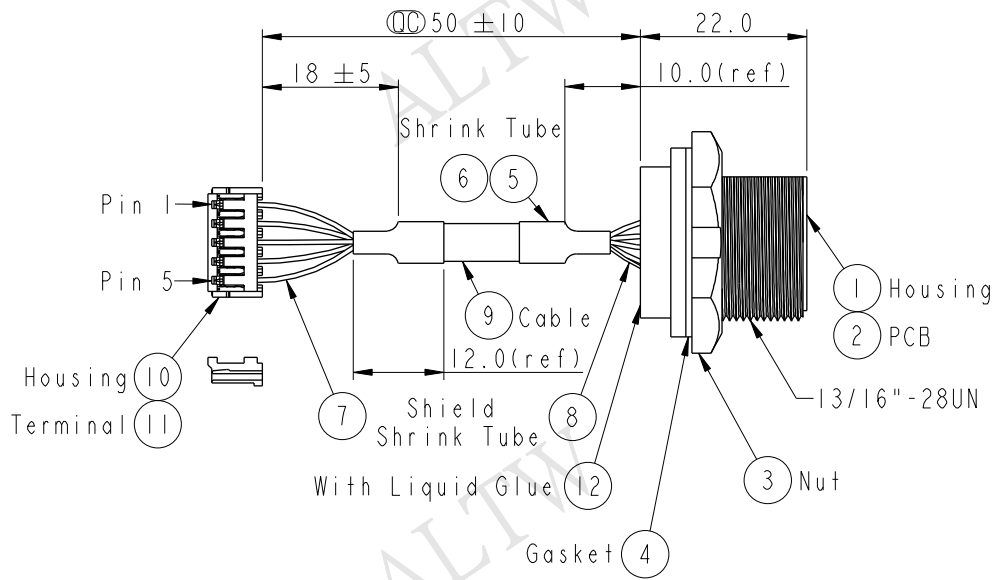
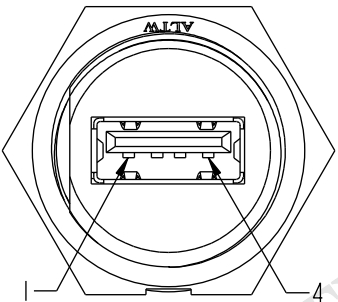


REV.	ECN NO.	DATE	SIGN	DESCRIPTION
B	LEN-7B0138	2007/11/15	Gao Ling	Modify Panel Thickness
C	LEN1640311	2016/04/14	Vicky	Update Logo



Recommended Panel Cut-Out



Pin Assignments Front View

5	Drain	地線	Shield
4	Black	24AWG 黑	4
3	Green	28AWG 綠	3
2	White	28AWG 白	2
1	Red	24AWG 紅	1
Housing	Wire Color		Conn.
Pin Out			

Twist

Note:

- * \varnothing Important Dimension
- * Housing: ABS 94V-0, Black
- * Nut: Nylon+GF, Black
- * Gasket: EPDM, Black
- * PCB: FR-4, T=1.6mm
- * Hosing: Nylon, PH=2.50mm
- * Terminal: Female Pin, Tin Plated
- * Cable: 1P*28#+2C*24#+AL+MY+D+B, OD=5.0mm
- $\triangle B$ * Use with waterproof cap or dust cap For Panel Thickness Max: 2.8mm
- $\triangle A$ * Use without waterproof cap or dust cap For Panel Thickness Max: 4.0mm

UNIT: mm		
TOLERANCE		
.X	±0.25	
.XX	±0.1	
.XXX	±0.05	
ANGLES	±1°	

TITLE USB With Harness Panel Screw M Conn F Pin			
SCALE 1:1	SIZE A4	SHEET 1	OF 1
REV. C	WC-REV. A.3	\varnothing : Inspection item	

Amphenol LTW
安費諾亮泰企業股份有限公司

ITEM NO UA-20PMFP-SC8003	DRAWN BY Vicky	DATE 2016-04-14
DWG NO UA-20PMFP-SC8003	CHECKED BY Rita	DATE 2016-04-14
CUSTOMER ALTW	APPROVED BY Lisa	DATE 2016-04-14

THIS DOCUMENT IS SUBJECT TO CHANGE WITHOUT NOTICE. IT IS CONFIDENTIAL AND A PROPERTY OF Amphenol LTW. DISCLOSURE TO THIRD PARTY HAS TO BE AUTHORIZED BY Amphenol LTW.

X-ON Electronics

Largest Supplier of Electrical and Electronic Components

Click to view similar products for [USB Connectors](#) category:

Click to view products by [Amphenol](#) manufacturer:

Other Similar products are found below :

[65-647-8-BK-BU](#) [950](#) [E8144-B01021-L](#) [A-USB A-LP-SMT-C](#) [A-USB B-TOP-C](#) [MUSBA511N5](#) [MUSBD11135](#) [217450-1](#) [CA 6 W LD](#)
[KMBVX-TH-5S-B30](#) [896-30-004-00-000000](#) [KUSBVX-BS1N-W30](#) [KUSBX-AP-KIT-SCBLK](#) [KUSBX-AS2N-W](#) [KUSBX-SMT2AP1S-W](#)
[KUSBX-SMT2AP1S-W30](#) [935](#) [957](#) [30-498-6](#) [17-210051](#) [1734082-1](#) [30-1574](#) [30-470](#) [30-489](#) [30-541](#) [30-572-3](#) [MAB 8 SN V](#) [A-USB A-](#)
[2P-C](#) [MIKROE-1451](#) [USBFTV2PEM2G](#) [USBFTVC6ZN](#) [KUSBX-AS2N-W30](#) [KUSBX-SLAS1N-W](#) [KUSBX-SMT-AS1N-W30](#) [4689-1](#) [1-](#)
[1734084-2](#) [E8110-001-01](#) [MUSBA81130](#) [33UBARS1-04SW11](#) [33UBAR-04SW11](#) [USBF21ZNSCC](#) [USBBFTV6ZC](#) [10135326-001LF](#)
[M9177/3-1](#) [USB-A-S-F-B-VT](#) [925](#) [4198](#) [690-024-633-031](#) [KUSBEX-BSFS1N-W](#) [USBFTVC6MRG](#)