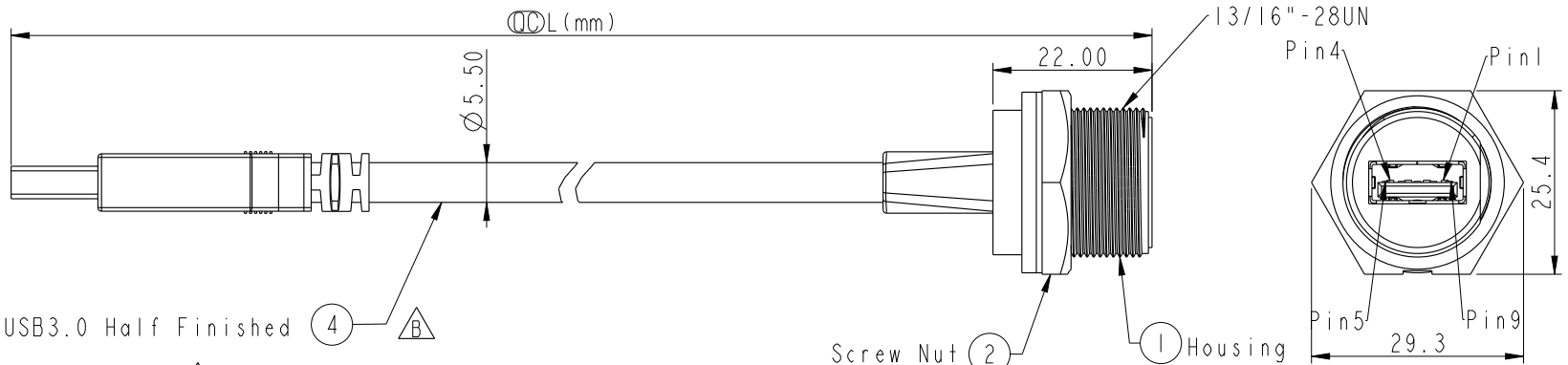


ALTW
CONFIDENTIAL
 2013-11-25
R&D DEPT.

REV.	ECN NO.	DATE	SIGN	DESCRIPTION
B	LE313C0042	2013-11-25	Tom_gu	Change Tolerance And Length



Conn.2



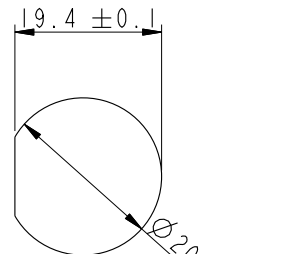
USB3.0 Half Finished

Screw Nut

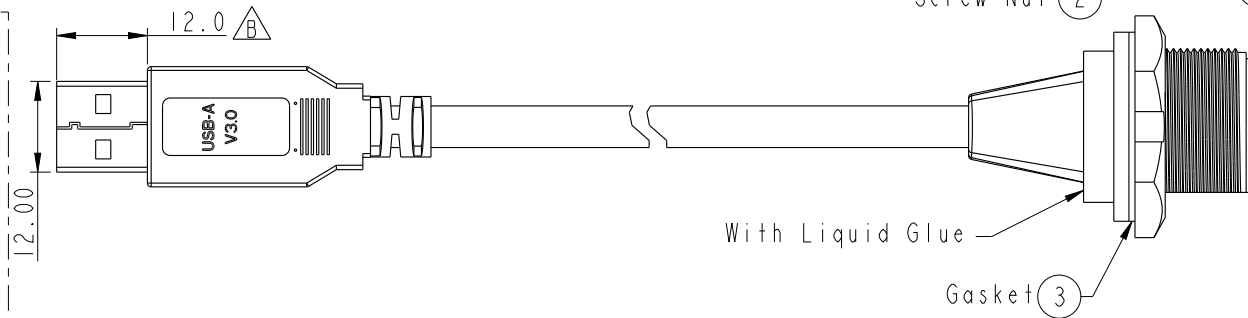
Housing

Conn.1

Waterproof Rate: IP67



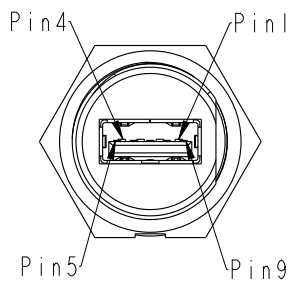
Recommended Panel Cut-Out



UA-30PMF-SD7BXX

△	XX	: 150~300mm
	15	: 150mm
	20	: 200mm
	30	: 300mm

Cable Length(L): 150~300mm



Pin Assignments Front View

Shield	Braid	編織	Shield	
9	Orange	28AWG	橙	Twist
8	Purple	28AWG	紫	
7	Drain	28AWG	地線	Twist
6	Yellow	28AWG	黃	
5	Blue	28AWG	藍	Twist
	Drain	28AWG	地線	
4	Black	28AWG	黑	Twist
3	Green	28AWG	綠	
2	White	28AWG	白	Twist
1	Red	28AWG	紅	
Conn.1	Wire Color		Conn.2	
	Pin Out			

- Note:
- * Ⓞ Important Dimension.
 - * Housing: ABS, Black
 - * Screw Nut: Nylon+GF, Black
 - * Gasket: Silicone, Gray
 - * Jack: USB3.0-A Female Solder
 - * Cable: USB 3.0, (IP*28#+D+Al/My)*2+IP*28#+2C*28#+F+Al+B, PVC Jacket, UV Resistant, OD=5.5mm, Black
 - * Cable Length Tolerance: 150~300mm:±15mm
 - * Use with waterproof cap or dust cap
Panel Thickness max: 2.8mm
 - * Use without waterproof cap or dust cap
Panel Thickness max: 4.0mm
 - * All of Drain twisted together.

UNIT:mm

TOLERANCE	
.X	±0.25
.XX	±0.1
.XXX	±0.05
ANGLES	±1°

TITLE USB3.0 Male A Type			
SCALE 1:1	SIZE A4	SHEET 1 OF 1	
REV. B	WC-REV. A.1	Ⓞ: Inspection item	

Amphenol LTW
 安費諾亮泰企業股份有限公司

ITEM NO.	DRAWN BY	DATE
	Tom_gu	2013-11-25
DWG NO.	CHECKED BY	DATE
UA-30PMF-SD7BXX	Mafei	2013-11-25
CUSTOMER	APPROVED BY	DATE
ALTW	Victor	2013-11-25

THIS DOCUMENT IS SUBJECT TO CHANGE WITHOUT NOTICE. IT IS CONFIDENTIAL AND A PROPERTY OF AMPHENOL LTW. DISCLOSURE TO THIRD PARTY HAS TO BE AUTHORIZED BY AMPHENOL LTW.

X-ON Electronics

Largest Supplier of Electrical and Electronic Components

Click to view similar products for [USB Cables / IEEE 1394 Cables category](#):

Click to view products by [Amphenol manufacturer](#):

Other Similar products are found below :

[68768-0173](#) [FNY-W6003-01](#) [88764-0800](#) [148700-1](#) [17-200621](#) [17-250051P](#) [954](#) [17-200261](#) [AC102012-1](#) [AC102012-2](#) [FTP-629Y601](#) [45-1345-15](#) [45-1358-15](#) [45-1363-15](#) [IP-USB1\(C10\)S-RW](#) [CABLE/RTP/USB/DT](#) [45-1351-15](#) [45-1357-15](#) [45-1433-1](#) [687680278](#)
[USBFTVX2SA2N03A](#) [USBFTV2SA2N03A](#) [USBFTV2SA2N05A](#) [MDM9PH004B](#) [MDM9PH004P](#) [FTP-629Y401](#) [FTP-628Y302](#) [FTP-628Y402](#) [CSMNB9MF-5](#) [FNY-W6022](#) [UA-30AMF-SD7B03](#) [UA-30AMFM-SL7B03](#) [USBAPSCC7202A](#) [UES-1001A160](#) [UES-1003A160](#)
[USBFTVX7SA2N20A](#) [USBFTV2PEMSA2N10A](#) [FTP-629Y602](#) [USBCAMCM100](#) [USB A/F*2 to 2.54 2*5P-SH L=400mm](#) [68784-0075](#)
[USB-29](#) [19800-010500-200-RS](#) [103-1092-BL-F0050](#) [103-1020-BL-00100](#) [103-1092-BL-F0200](#) [103-1092-BL-F0100](#) [105-1092-BL-00300](#)
[105-1092-BL-00200](#) [105-1031-BL-00200](#)