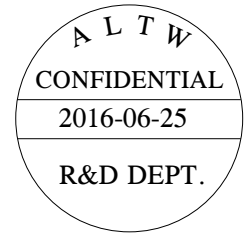
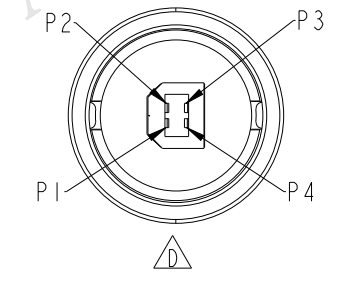
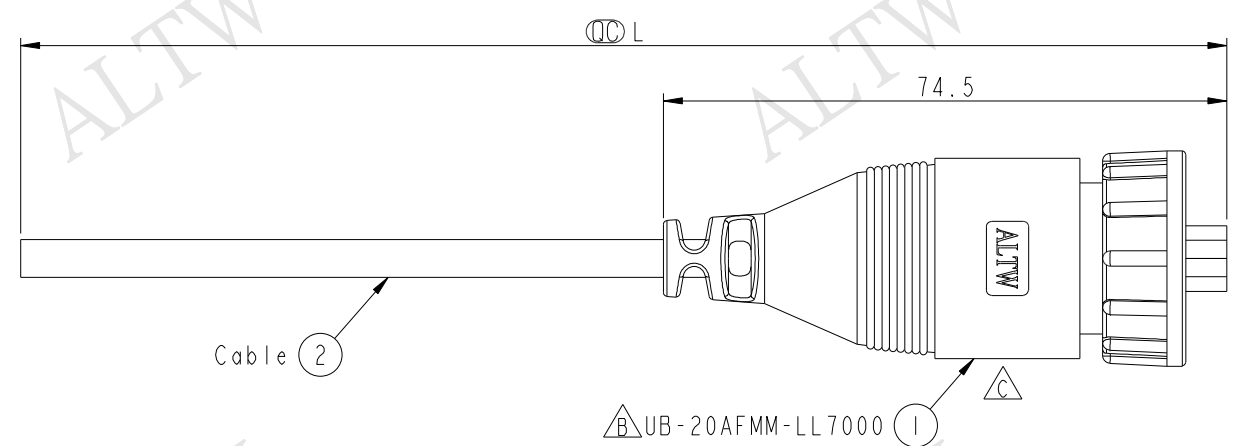


THIS DOCUMENT IS SUBJECT TO CHANGE WITHOUT NOTICE. IT IS CONFIDENTIAL AND A PROPERTY OF Amphenol LTW. DISCLOSURE TO THIRD PARTY HAS TO BE AUTHORIZED BY Amphenol LTW.

REV.	ECN NO.	DATE	SIGN	DESCRIPTION
B	LE3-830056	2008/03/11	Li Chi Cheng	Change Views
C	LENI5C0113~16	2015/11/05	Ruru	Change Logo
D	LENI660935~38	2016/06/25	Jinhai	Change Gasket



UB-20AFMM-LL7AXX
 XX: 01~05Meters
 01: 01Meters
 02: 02Meters
 :
 :
 05: 05Meters
 Cable Length(L): 01~05Meters

Shielded	Drain	地線
4	Black (24 AWG)	黑
3	Green (28 AWG)	綠
2	White (28 AWG)	白
1	Red (24 AWG)	紅
Conn	Wire Color	

Twist

Note:
 * (Ⓞ) Important Dimension
 * Waterproof Rate: IP67
 * Connector: USB B Type Male Solder Type
 * Cable: USB 2.0, 28#*1P+24#*2C+A1/My+D+B, PVC Jacket UV Resistant, OD=5.0, Black
 * All Parts Are RoHS Compliant

UNIT:mm			TITLE Large Size USB B Molding Type
TOLERANCE ±0.5 mm	SCALE 1:1	SIZE A4	SHEET 1 OF 1
REV. D	WC-REV. A.1	Ⓞ: Inspection item	

Amphenol LTW
 安費諾亮泰企業股份有限公司

ITEM NO	DRAWN BY Jinhai	DATE 2016-06-25
DWG NO UB-20AFMM-LL7AXX	CHECKED BY Feng-li	DATE 2016-06-25
CUSTOMER ALTW	APPROVED BY Jerry	DATE 2016-06-25

X-ON Electronics

Largest Supplier of Electrical and Electronic Components

Click to view similar products for [I/O Connectors](#) category:

Click to view products by [Amphenol](#) manufacturer:

Other Similar products are found below :

[571763P](#) [58098-0628](#) [72.250.1628.2](#) [72.250.2428.2](#) [74720-0505](#) [76.350.0729.0](#) [76871-1403](#) [FCN-244F080-G/1](#) [FCN-260A9920](#) [MP-5T180MUNNA-005](#) [PCR-E36PM](#) [PCS-XE26MA+](#) [G38A71314B](#) [1571250010](#) [157-22500-3](#) [MS3471L14-19P L/C](#) [192991-0703](#) [172501-4002](#) [172501-6002](#) [FCN-260C008-A/L0](#) [FCN-260C024-AL0](#) [FCN-261Z008](#) [2000314-1](#) [200331-1](#) [PCR-E36FC+](#) [PCS-E28FS+](#) [PCS-XE26SLFD+](#) [PCS-XE26SLFDT+](#) [G730VID08BDC24](#) [HDR-E14MSG1+](#) [U90B2054081210](#) [UE86K842720321](#) [38113800006](#)
[DP3AR020WQ1R200](#) [Z4.102.0680.0](#) [500-1040](#) [500-1052](#) [500-1054](#) [ZP-4008-66L](#) [0709821002](#) [DX40-20P\(55\)](#) [5554841-1](#) [MS3474W18-8P-LC*](#) [SM3106F14S-7S-LC](#) [U90B3054061110](#) [U65-E04-4020](#) [ZPF000000000097891](#) [557-262M2-06C](#) [747360449](#) [10099439-003C-TRLF](#)