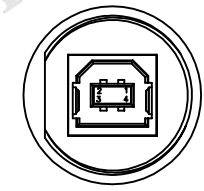
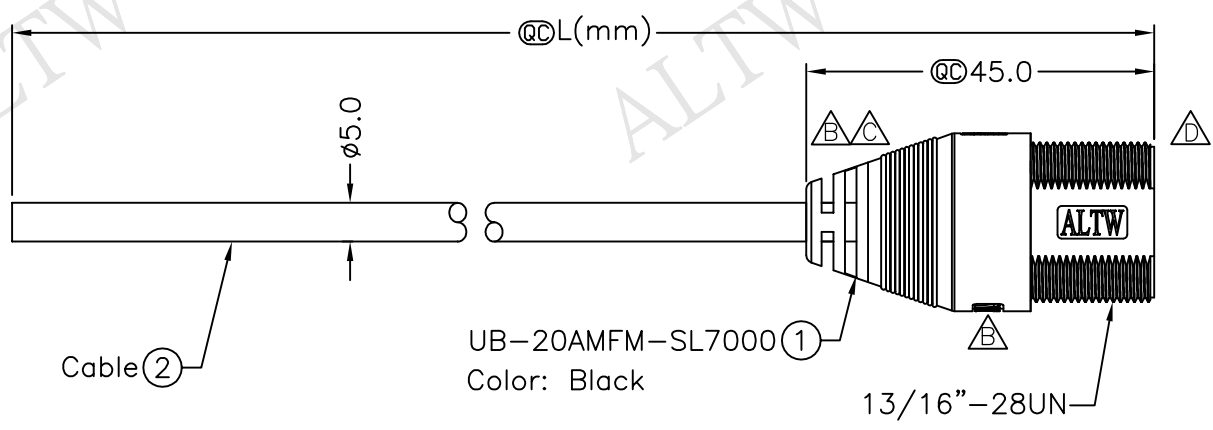
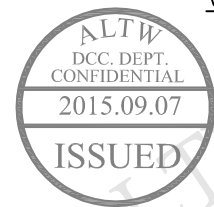


REV.	ECN NO.	DATE	SIGN	DESCRIPTION
B	LEN-780180	2007/08/17	Rommel A. Vergara	Change SR (Strain Relief) and interchange position of logo
C	LEN-950162~5	2009/03/23	Li Xiu Zhi	Change SR View
D	LEN1590117~20	2015/07/29	Ann	Change Logo



Conn.



UB-20AMFM-SL7000 ①  
Color: Black

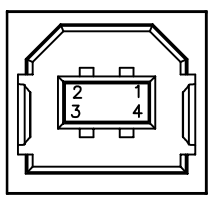
UB-20AMFM-SL7AXX

- XX :01~05Meters
- 01 :01Meter
- 02 :02Meters
- ...
- 05 :05Meters

Cable Length(L):01~05Meters

Notes:

- \* @C Important Dimensions.
- \* Waterproof Rate: IP67
- \* Housing: ABS 94V-0, Black
- \* Jack: USB B Type
- \* Cable: USB2.0 28#\*1P+24#\*2C+Al/My+D+B PVC Jacket, UV Resist OD=5.0, Black
- \* Cable Length Tolerance:01M:40mm  
02M~05M:±60mm  
06M~10M:±100mm  
11M~30M:±200mm  
31M~99M:±500mm



Pin Assignments  
Front View

Drain	地線	Shield
Black	黑	4
Green	綠	3
White	白	2
Red	紅	1
Wire Color		Conn.

Twist

UNIT:mm	
TOLERANCE	±0.5 mm

TITLE	USB	
	CABLE SCREW 20B M CONN F PIN	
SCALE	Free	SHEET 1 OF 1
REV.	D	SIZE A4
		@C :Inspection Item

**Amphenol LTW**  
安費諾亮泰企業股份有限公司

ITEM NO	
DWG NO	UB-20AMFM-SL7AXX
CUSTOMER	ALTW

DRAWN BY	Ann
CHECKED BY	Nick
APPROVED BY	Lion

DATE	2015/07/29
DATE	2015/07/29
DATE	2015/07/29

THIS DOCUMENT IS SUBJECT TO CHANGE WITHOUT NOTICE. IT IS CONFIDENTIAL AND A PROPERTY OF Amphenol LTW. DISCLOSE TO THIRD PARTY HAS TO BE AUTHORIZED BY Amphenol LTW.

## X-ON Electronics

Largest Supplier of Electrical and Electronic Components

*Click to view similar products for [USB Connectors](#) category:*

*Click to view products by [Amphenol](#) manufacturer:*

Other Similar products are found below :

[950](#) [A-USB A-LP-SMT-C](#) [A-USB B-TOP-C](#) [MUSBA511N5](#) [MUSBD11135](#) [217450-1](#) [KMBVX-TH-5S-B30](#) [896-30-004-00-000000](#)  
[KUSBX-AS2N-W](#) [KUSBX-SMT2AP1S-W30](#) [935](#) [957](#) [30-498-6](#) [SK-60A-2](#) [1734082-1](#) [CIR08AF-20-27S-F80-20](#) [CIR08F-20](#) [30-1574](#) [30-470](#) [30-489](#) [30-541](#) [30-572-3](#) [A-USB A-2P-C](#) [MIKROE-1451](#) [USBFTV2PEM2G](#) [USBFTVC6ZN](#) [USBFTVSCCG](#) [4689-1](#) [1-1734084-2](#)  
[CIR08F-20-27P-F80-VO](#) [USBF21ZNSCC](#) [USBBFTV6ZC](#) [MUSBB151341](#) [10135326-001LF](#) [M9177/3-1](#) [USB-A-S-F-B-VT](#) [925](#) [4198](#) [690-024-633-031](#) [UB-20PMFP-LC7001](#) [USBFTVC6MRG](#) [UA-20BMFA-SL8001](#) [17-200011](#) [USBFTVC7ZC](#) [UB-20AFMM-LL7A01](#)  
[USBFTVC2MN](#) [CAP-WCCMLPB1](#) [CAP-WCCMLPC1](#) [2041386-1](#) [2274475-3](#)