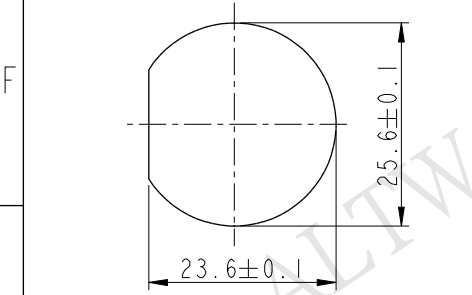
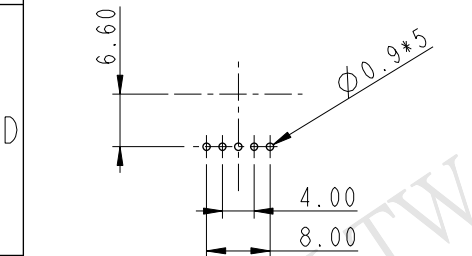


THIS DOCUMENT IS SUBJECT TO CHANGE WITHOUT NOTICE. IT IS CONFIDENTIAL AND A PROPERTY OF Amphenol LTW. DISCLOSURE TO THIRD PARTY HAS TO BE AUTHORIZED BY Amphenol LTW.

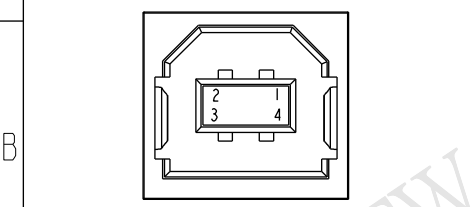
REV.	ECN NO.	DATE	SIGN	DESCRIPTION
C	LEN-7B0139	2007/11/15	Gao Ling	Modify Panel Thickness
D	LEN1550039	2014/12/24	Vicky	Update Logo
E	LEN1580252	2015/08/06	Vicky	Update Drawing View



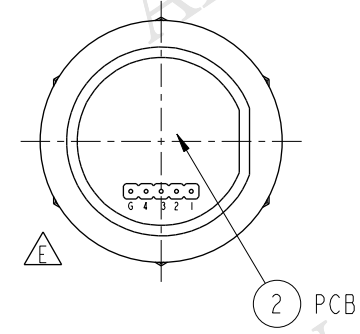
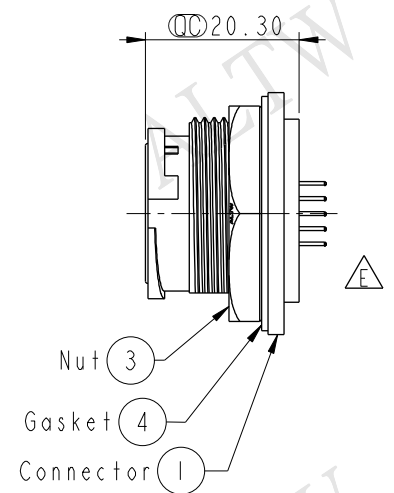
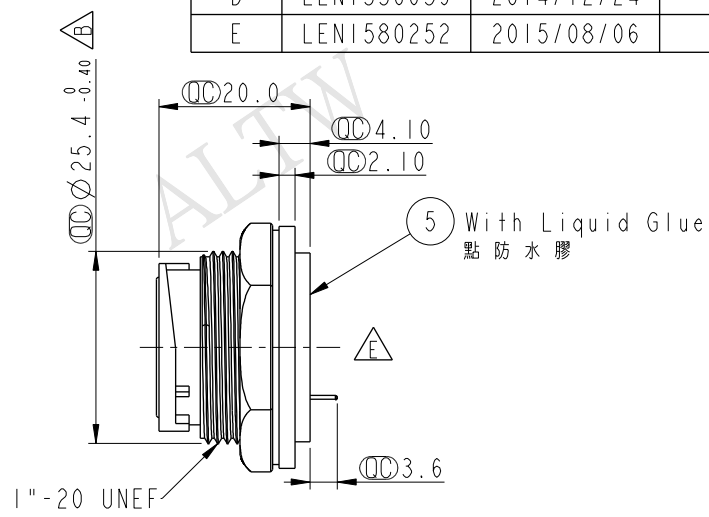
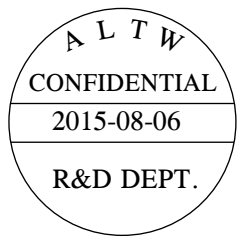
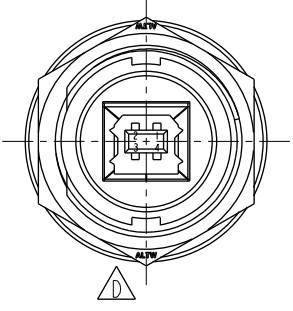
Recommended Panel Cut-Out



PCB Layout



Pin Assignments  
Front View 前視圖



- Note:
- △B\* ∅ Important Dimension.
  - \* Waterproof Rate: IP67
  - \* Nut: Nylon+GF, Black
  - \* Gasket: EPDM, Black
  - \* Connector: Nylon+GF, Black
  - \* PCB: FR-4, Thick=1.0
  - \* Wafer: 5Pin Wafer PH=2.0
  - \* USB: USB-B Female TIP
  - △C\* Use with waterproof cap or dust cap  
For Panel Thickness Max: 2.8mm
  - △C\* Use without waterproof cap or dust cap  
For Panel Thickness Max: 4.0mm

UNIT:mm		TITLE Large Size USB B Type Female PCB Lock Panel Conn.		<h1>Amphenol LTW</h1> <p>安費諾亮泰企業股份有限公司</p>		ITEM NO UB-20PMFP-LC7001	DRAWN BY Vicky	DATE 2015-08-06
		TOLERANCE .X ±0.25 .XX ±0.1 .XXX ±0.05 ANGLES ±1°	SCALE 1:1			SIZE A4	SHEET 1 OF 1	DWG NO UB-20PMFP-LC7001
		REV. E	WC-REV. A.4	∅: Inspection item	CUSTOMER ALTW	APPROVED BY Lion	DATE 2015-08-06	8 FMM10702-01-02A1

## X-ON Electronics

Largest Supplier of Electrical and Electronic Components

*Click to view similar products for [I/O Connectors](#) category:*

*Click to view products by [Amphenol](#) manufacturer:*

Other Similar products are found below :

[571763P](#) [58098-0628](#) [72.250.1628.2](#) [72.250.2428.2](#) [74720-0505](#) [76.350.0729.0](#) [76871-1403](#) [FCN-244F080-G/1](#) [FCN-260A9920](#) [PCR-E36PM](#) [PCS-XE26MA+](#) [G38A71314B](#) [1571250010](#) [157-22500-3](#) [MS3471L14-19P L/C](#) [192991-0703](#) [172501-4002](#) [172501-6002](#) [FCN-260C008-A/L0](#) [FCN-260C024-AL0](#) [FCN-261Z008](#) [2000314-1](#) [200331-1](#) [PCR-E36FC+](#) [PCS-E28FS+](#) [PCS-XE26SLFD+](#) [PCS-XE26SLFDT+](#) [G730VID08BDC24](#) [HDR-E14MSG1+](#) [U90B2054081210](#) [UE86K842720321](#) [38113800006](#) [DP3AR020WQ1R200](#) [Z4.102.0680.0](#) [500-1040](#) [500-1052](#) [500-1054](#) [ZP-4008-66L](#) [0709821002](#) [DX40-20P\(55\)](#) [5554841-1](#) [MS3474W18-8P-LC\\*](#) [SM3106F14S-7S-LC](#) [U90B3054061110](#) [U65-E04-4020](#) [ZPF000000000097891](#) [557-262M2-06C](#) [747360449](#) [10099439-003C-TRLF](#) [10137239-0021LF](#)