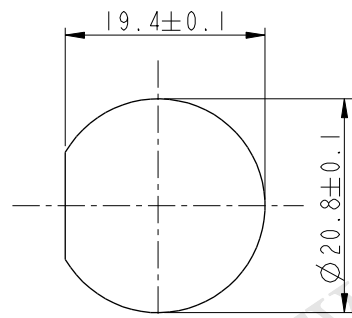
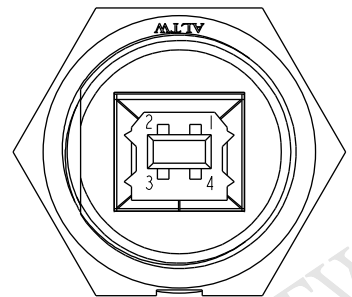


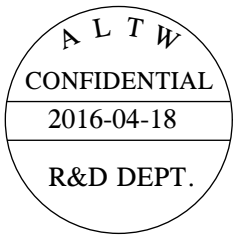
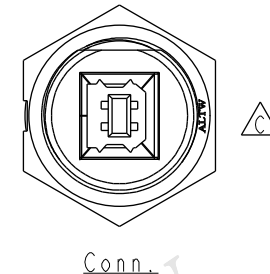
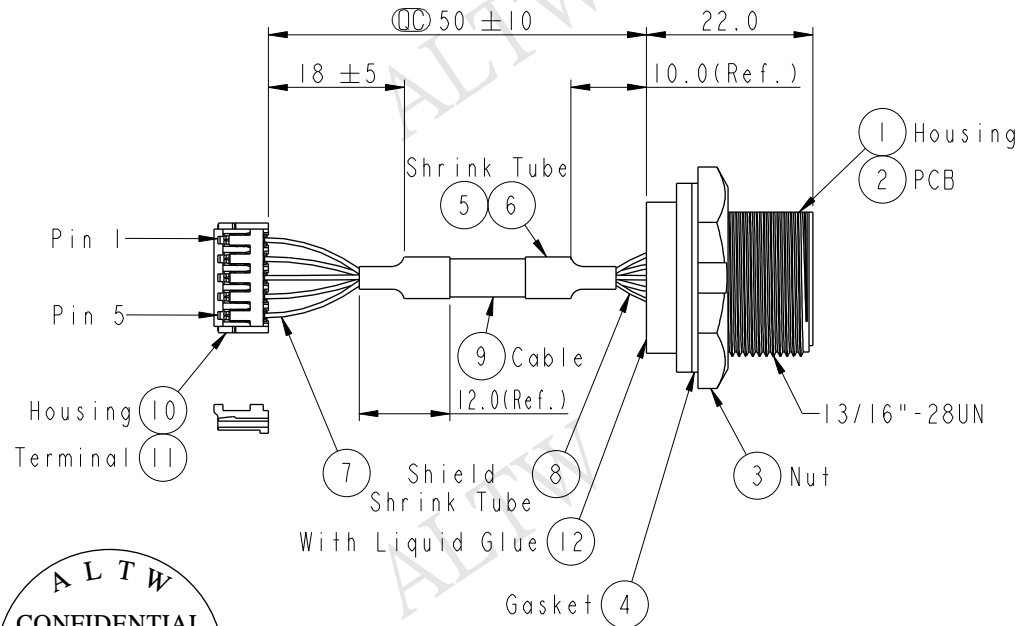
REV.	ECN NO.	DATE	SIGN	DESCRIPTION
B	LEN-7B0143	2007/11/15	Gao Ling	Modify Panel Thickness
C	LEN1640315	2016/04/18	Vicky	Update Logo



Recommended Panel Cut-Out



Pin Assignments Front View



5	Drain	地線	Shield
4	Black	24AWG 黑	4
3	Green	28AWG 綠	3
2	White	28AWG 白	2
1	Red	24AWG 紅	1
Housing	Wire Color		Conn.

Pin Out

Note:

- * CC Important Dimension
- * Housing: ABS 94V-0, Black
- * Nut: Nylon+GF, Black
- * Gasket: EPDM, Black
- * PCB: FR-4, T=1.6mm
- * Hosing: Nylon, PH=2.50mm
- * Terminal: Female Pin, Tin Plated
- * Cable: 1P*28#+2C*24#+AL+MY+D+B, OD=5.0mm
- $\triangle B$ * Use with waterproof cap or dust cap For Panel Thickness Max: 2.8mm
- $\triangle B$ * Use without waterproof cap or dust cap For Panel Thickness Max: 4.0mm

UNIT:mm

TOLERANCE	
.X	±0.25
.XX	±0.1
.XXX	±0.05
ANGLES	±1°

TITLE USB With Harness Panel Screw M Conn F Pin			
SCALE	SIZE	SHEET	OF
1:1	A4	1	1
REV.	WC-REV.	CC : Inspection item	
C	A.4		

Amphenol LTW
安費諾亮泰企業股份有限公司

ITEM NO	UB-20PMFP-SC8003	DRAWN BY	Vicky	DATE	2016-04-18
DWG NO	UB-20PMFP-SC8003	CHECKED BY	Rita	DATE	2016-04-18
CUSTOMER	ALTW	APPROVED BY	Lisa	DATE	2016-04-18

THIS DOCUMENT IS SUBJECT TO CHANGE WITHOUT NOTICE. IT IS CONFIDENTIAL AND A PROPERTY OF Amphenol LTW. DISCLOSURE TO THIRD PARTY HAS TO BE AUTHORIZED BY Amphenol LTW.

X-ON Electronics

Largest Supplier of Electrical and Electronic Components

Click to view similar products for [I/O Connectors](#) category:

Click to view products by [Amphenol](#) manufacturer:

Other Similar products are found below :

[571763P](#) [58098-0628](#) [72.250.1628.2](#) [72.250.2428.2](#) [74720-0505](#) [76.350.0729.0](#) [76871-1403](#) [FCN-244F080-G/1](#) [FCN-260A9920](#) [PCR-E36PM](#) [PCS-XE26MA+](#) [G38A71314B](#) [1571250010](#) [157-22500-3](#) [MS3471L14-19P L/C](#) [192991-0703](#) [172501-4002](#) [172501-6002](#) [FCN-260C008-A/L0](#) [FCN-260C024-AL0](#) [FCN-261Z008](#) [2000314-1](#) [200331-1](#) [PCR-E36FC+](#) [PCS-E28FS+](#) [PCS-XE26SLFD+](#) [PCS-XE26SLFDT+](#) [G730VID08BDC24](#) [U90B2054081210](#) [UE86K842720321](#) [38113800006](#) [DP3AR020WQ1R200](#) [Z4.102.0680.0](#) [500-1040](#) [500-1052](#) [500-1054](#) [ZP-4008-66L](#) [0709821002](#) [DX40-20P\(55\)](#) [5554841-1](#) [MS3474W18-8P-LC*](#) [SM3106F14S-7S-LC](#) [U90B3054061110](#) [U65-E04-4020](#) [ZPF000000000097891](#) [557-262M2-06C](#) [747360449](#) [10099439-003C-TRLF](#) [10137239-0021LF](#) [E9320-001-01](#)