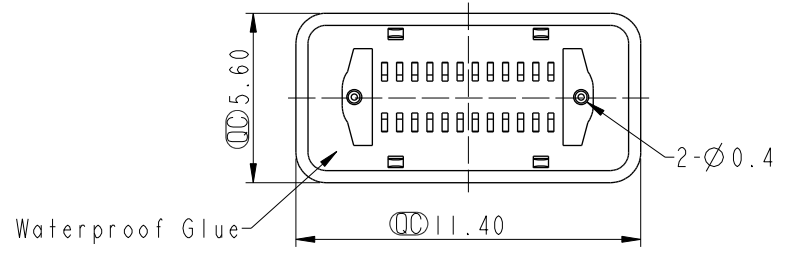
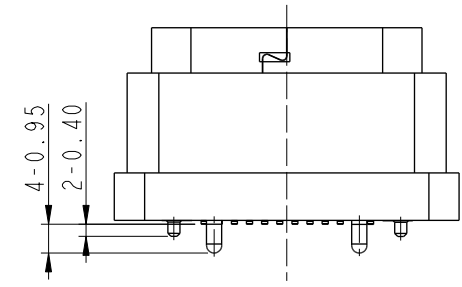
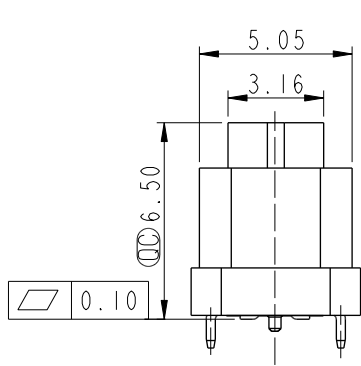
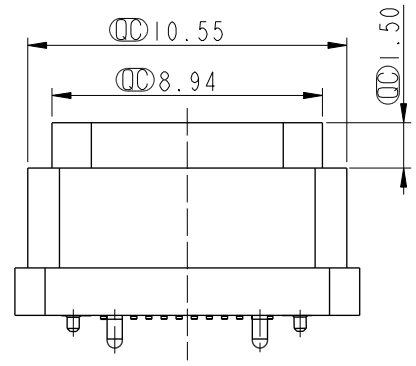
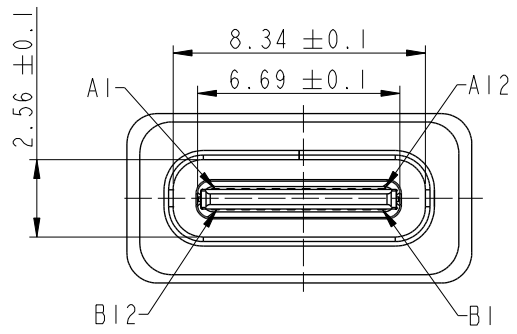


THIS DOCUMENT IS SUBJECT TO CHANGE WITHOUT NOTICE. IT IS CONFIDENTIAL AND A PROPERTY OF Amphenol LTW. DISCLOSURE TO THIRD PARTY HAS TO BE AUTHORIZED BY Amphenol LTW.

REV.	ECN NO.	DATE	SIGN	DESCRIPTION
A		2024/01/23	Jiahe Lin	Rev.01 To Rev.A



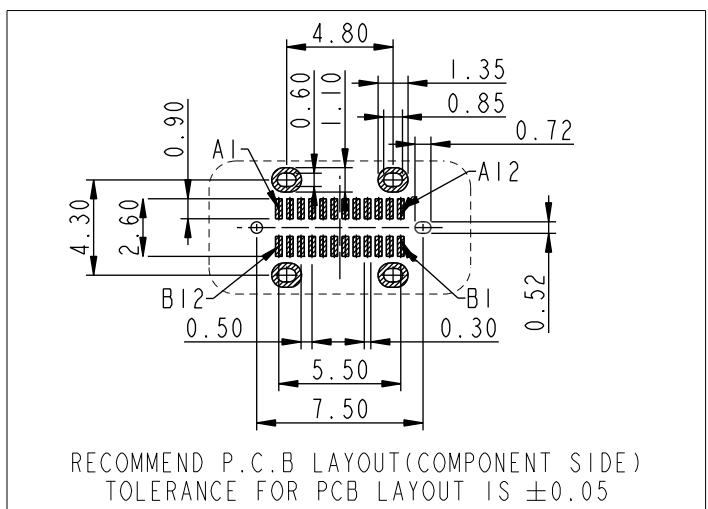
UNIT: mm		
TOLERANCE		
± 0.5 mm		

TITLE USB, C TYPE, FRONT FASTENED F, F, SMT, QUICK		
SCALE 4:1	SIZE A4	SHEET 1 OF 4
REV. A	WC-REV.	: Inspection item

**Amphenol LTW**  
安費諾亮泰企業股份有限公司

ITEM NO. UC-00PFFT-QF7001	DRAWN BY Jiahe Lin	DATE 2024/01/23
DWG NO. UC-00PFFT-QF7001	CHECKED BY Fisher Wang	DATE 2024/01/23
CUSTOMER ALTW	APPROVED BY Kevin Hu	DATE 2024/01/23

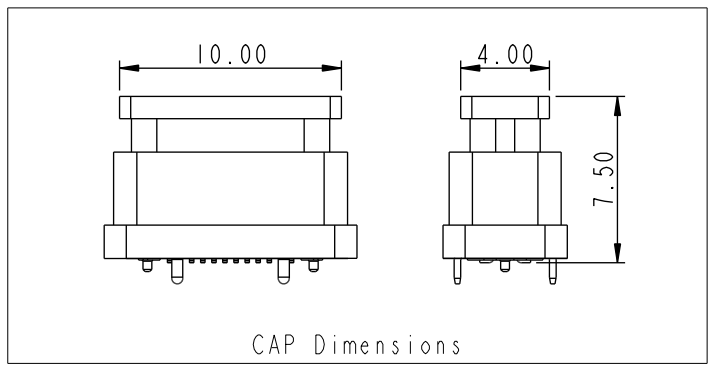
THIS DOCUMENT IS SUBJECT TO CHANGE WITHOUT NOTICE. IT IS CONFIDENTIAL AND A PROPERTY OF Amphenol LTW. DISCLOSURE TO THIRD PARTY HAS TO BE AUTHORIZED BY Amphenol LTW.



RECOMMEND P.C.B LAYOUT (COMPONENT SIDE)  
TOLERANCE FOR PCB LAYOUT IS  $\pm 0.05$

PIN DEFINITION

A1	A2	A3	A4	A5	A6	A7	A8	A9	A10	A11	A12
GND	TX1+	TX1-	VBus	CC1	D+	D-	SBU1	VBus	RX2-	RX2+	GND
GND	RX1+	RX1-	VBus	SBU2	D-	D+	CC2	VBus	TX2-	TX2+	GND
B12	B11	B10	B9	B8	B7	B6	B5	B4	B3	B2	B1



CAP Dimensions

Note:

- \* RoHS Compliant
- \*  $\varnothing$  Important dimension
- \* Waterproof rate: IP67, unmated
- \* Connector
  - Housing: Thermoplastic, Black
  - Pin: Copper alloy, Gold plated
  - Shell: Thermoplastic, Black
  - Shield: Metal
- \* Insertion force: 0.5~2.0kgf
- \* Extraction force: 0.8kgf~2.0kgf  
0.6kgf~2.0kgf. After durability test
- \* Durability: 10000 Cycles
- \* Current rating: 5.0A
- \* Voltage rating: 20V
- \* LLCR:
  - VBUS & GND PINS AND OTHER PINS: 40mA/PIN MAX
  - Shield: 50mA/MAX
  - LLCR MAX. Change of all pins: 10mA
- \* Insulation resistance: 100M $\Omega$  MIN
- \* Dielectric withstand voltage, AC 100v for 1 minute
- \* Operating temperature: -25°C~+85°C
- \* IR Reflow:
  - The peak temperature on the board shall be maintained for 10 seconds at 260°C
- \* Salt spray test requires 48h

UNIT: mm   
TOLERANCE  
 $\pm 0.5$ mm

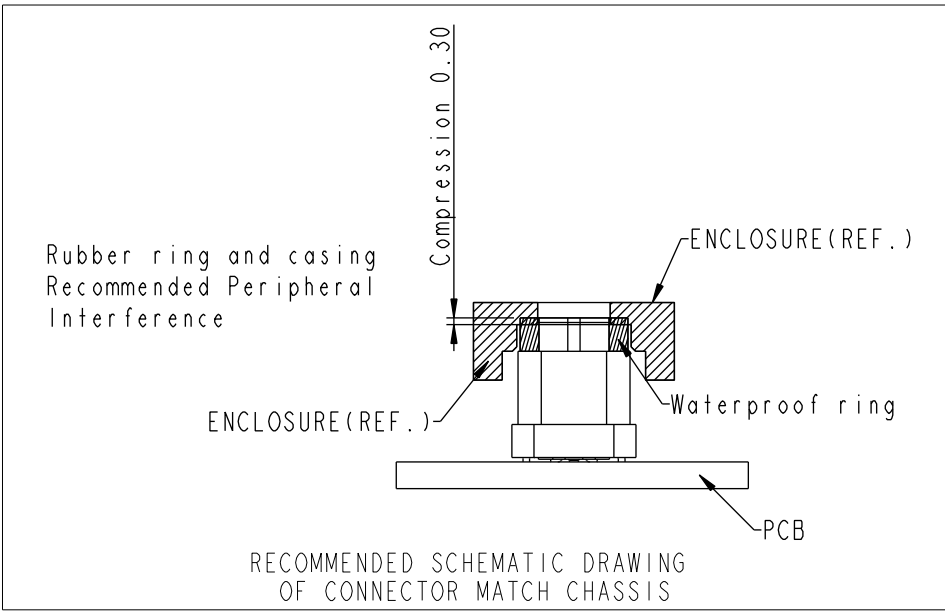
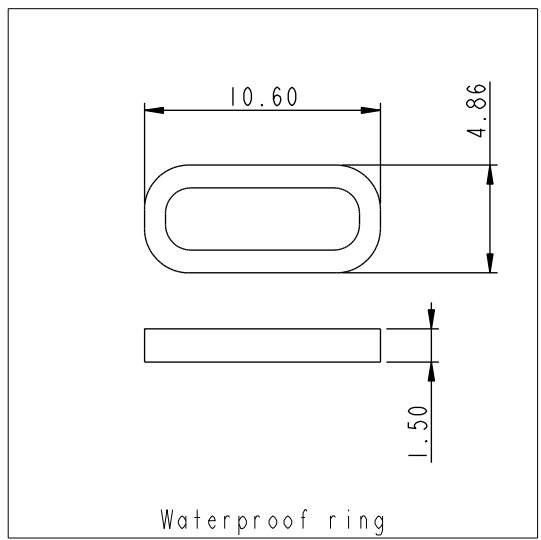
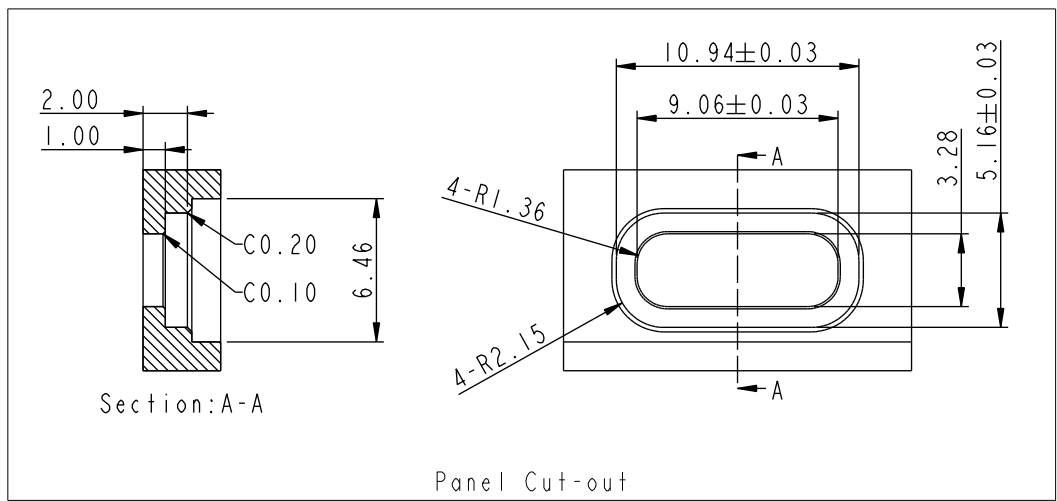
TITLE  
USB, C TYPE, FRONT FASTENED  
F, F, SMT, QUICK

SCALE 4:1	SIZE A4	SHEET 2 OF 4
REV. A	WC-REV.	$\varnothing$ : Inspection item

**Amphenol LTW**  
安費諾亮泰企業股份有限公司

ITEM NO UC-00PFFT-QF7001	DRAWN BY Jiahe Lin	DATE 2024/01/23
DWG NO UC-00PFFT-QF7001	CHECKED BY Fisher Wang	DATE 2024/01/23
CUSTOMER ALTW	APPROVED BY Kevin Hu	DATE 2024/01/23

THIS DOCUMENT IS SUBJECT TO CHANGE WITHOUT NOTICE. IT IS CONFIDENTIAL AND A PROPERTY OF Amphenol LTW. DISCLOSURE TO THIRD PARTY HAS TO BE AUTHORIZED BY Amphenol LTW.



UNIT: mm

TOLERANCE

±0.5mm

TITLE

USB, C TYPE, FRONT FASTENED  
F, F, SMT, QUICK

SCALE 4:1

SIZE A4

SHEET 3 OF 4

REV. A

WC-REV.

☉: Inspection item

**Amphenol LTW**

安費諾亮泰企業股份有限公司

ITEM NO

UC-00PFFT-QF7001

DWG NO

UC-00PFFT-QF7001

CUSTOMER

ALTW

DRAWN BY

Jiahe Lin

CHECKED BY

Fisher Wang

APPROVED BY

Kevin Hu

DATE

2024/01/23

DATE

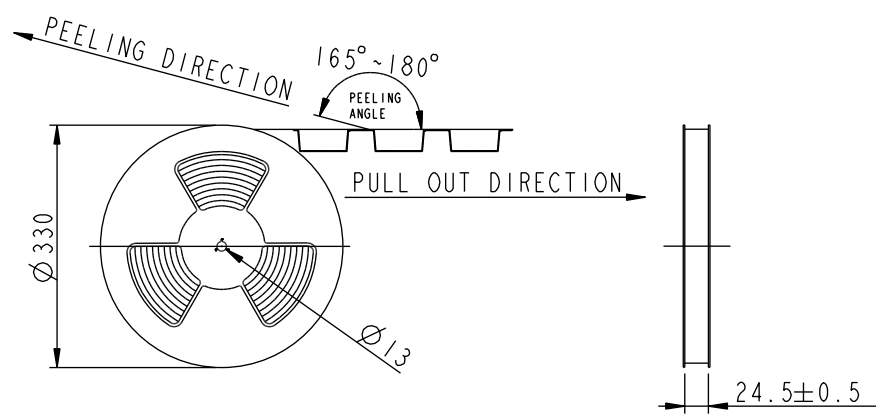
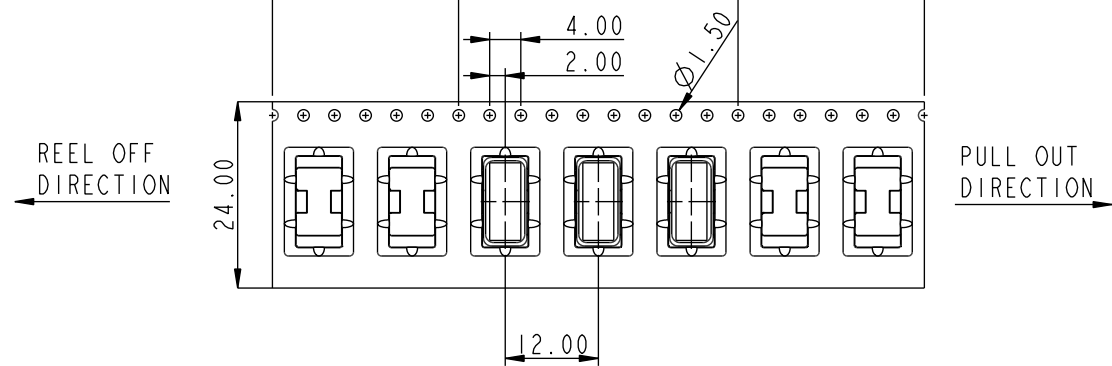
2024/01/23

DATE

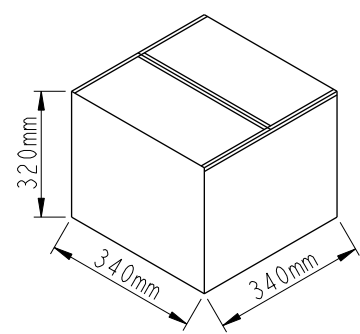
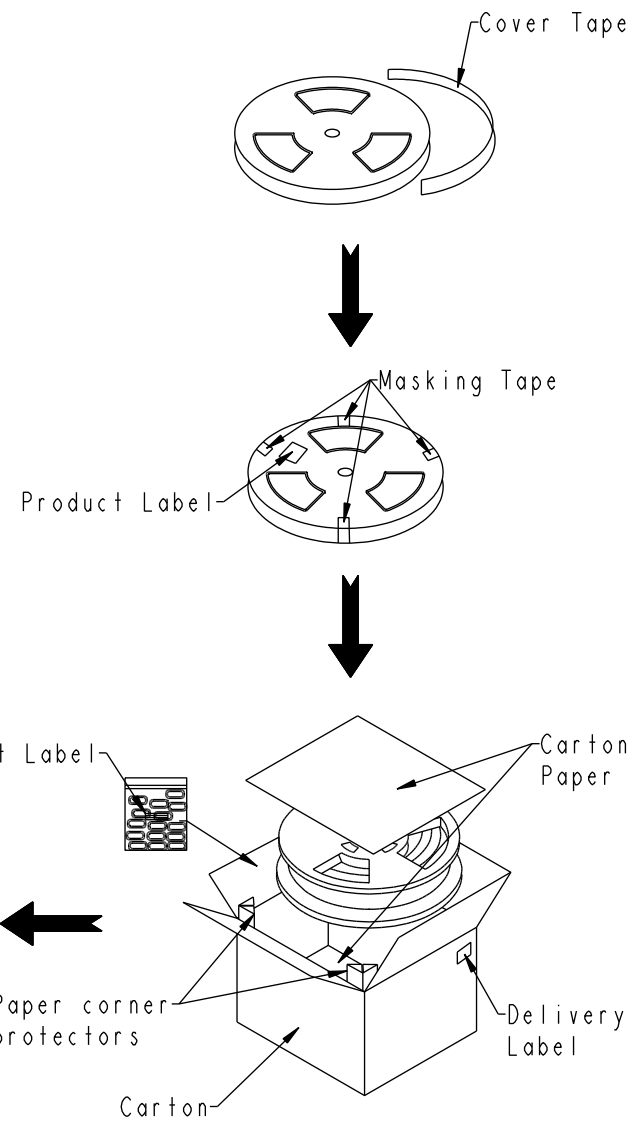
2024/01/23

THIS DOCUMENT IS SUBJECT TO CHANGE WITHOUT NOTICE. IT IS CONFIDENTIAL AND A PROPERTY OF Amphenol LTW. DISCLOSURE TO THIRD PARTY HAS TO BE AUTHORIZED BY Amphenol LTW.

REEL OFF SECTION (12 POCKETS)      600PCS      PULL OUT DIRECTION (12 POCKETS)



Note:  
 \* Quantity: 600 Pcs/Reel, 6000 Pcs/Carton  
 \* Gasket: 600 Pcs/Pack, 6000 Pcs/Carton



UNIT:mm		
TOLERANCE		
±0.5mm		

TITLE USB, C TYPE, FRONT FASTENED F, F, SMT, QUICK			
SCALE 4:1	SIZE A4	SHEET 4 OF 4	
REV. A	WC-REV.	☉: Inspection item	

**Amphenol LTW**  
 安費諾亮泰企業股份有限公司

ITEM NO UC-00PFFT-QF7001	DRAWN BY Jiahe Lin	DATE 2024/01/23
DWG NO UC-00PFFT-QF7001	CHECKED BY Fisher Wang	DATE 2024/01/23
CUSTOMER ALTW	APPROVED BY Kevin Hu	DATE 2024/01/23

## X-ON Electronics

Largest Supplier of Electrical and Electronic Components

*Click to view similar products for [USB Connectors](#) category:*

*Click to view products by [Amphenol](#) manufacturer:*

Other Similar products are found below :

[950](#) [A-USB A-LP-SMT-C](#) [A-USB B-TOP-C](#) [MUSBD11135](#) [17-200721](#) [217450-1](#) [KMBVX-TH-5S-B30](#) [KUSBX-AS2N-W](#) [KUSBX-SMT2AP1S-W30](#) [935](#) [957](#) [30-498-6](#) [SK-60A-2](#) [1734082-1](#) [30-470](#) [30-489](#) [30-541](#) [MIKROE-1451](#) [USBFTVSCCG](#) [1-1734084-2](#)  
[10135326-001LF](#) [USB3FTV7APEG](#) [4198](#) [1310-1023-02](#) [690-024-633-031](#) [UB-20PMFP-LC7001](#) [17-200011](#) [UB-20AFMM-LL7A01](#)  
[1040870124](#) [CAP-WCCMLPB1](#) [2274475-3](#) [UB-20BMFA-SL8001](#) [UB-20BFM-SA7A02](#) [UB-20BFM-SA7A05](#) [914-614A2025S10200](#)  
[MUSBR-AHD2-M41-SK](#) [ZX40-B-5S-1500-STDA\(30\)](#) [GSB3116344HR](#) [USB3FTV2SAZNF459](#) [USBF21GSCC](#) [U221-041N-1WVS62-F5D](#)  
[HYCW153-USBD05-500B](#) [HYCW219-USBD05-075B](#) [HYCW148-USBD05-117B](#) [HYCW149-USBD05-740B](#) [HYCW204-USBD05-108B](#)  
[HYCW214-USBA04-113B](#) [HYCW213-USBA04-113B](#) [UB-20AMFM-SL7A01](#) [KMMX-BSMT35S-1-B30TR](#)