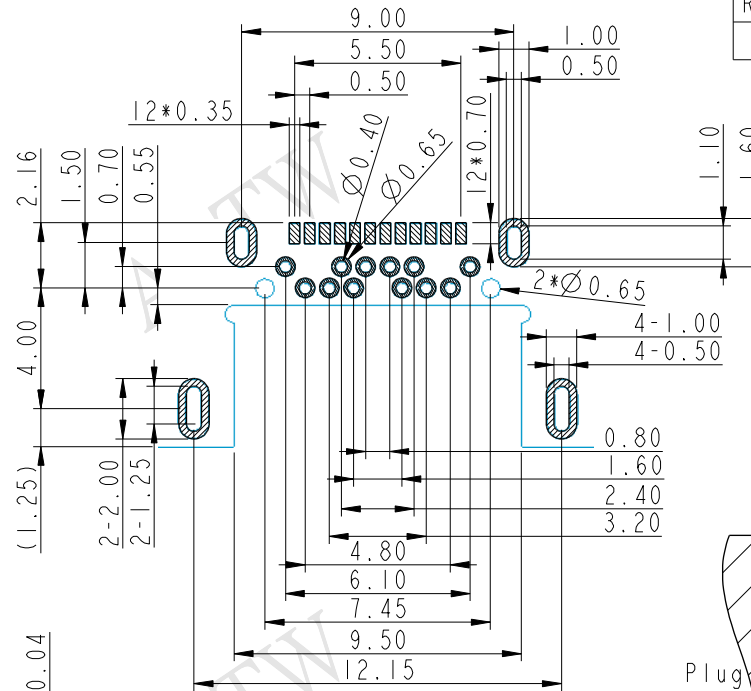
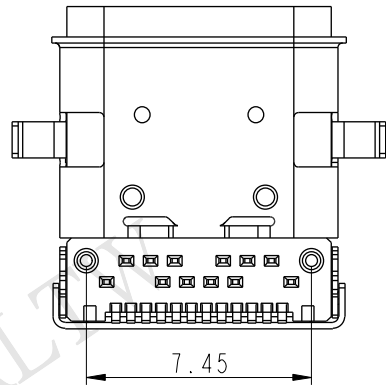
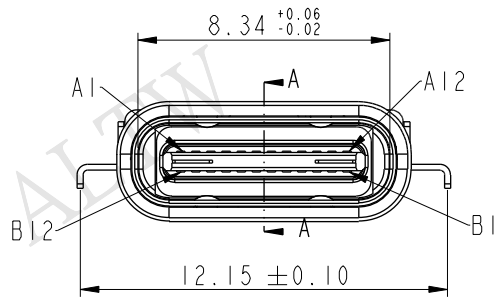
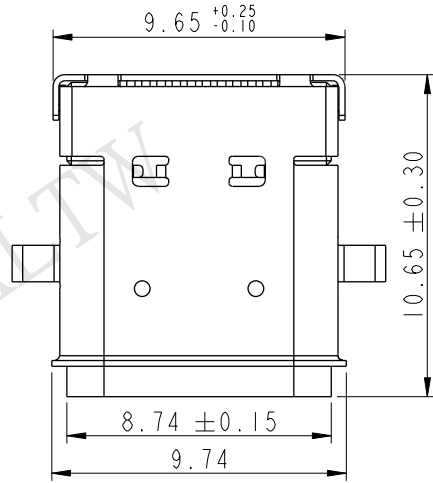
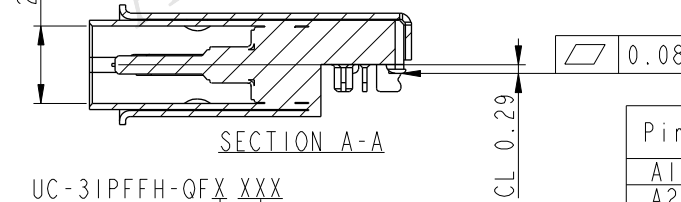


ALTW
CONFIDENTIAL
2018-04-03
R&D DEPT.



RECOMMENDED PADS LAYOUT
TOP VIEW



UC-31PFFH-QFX XXX

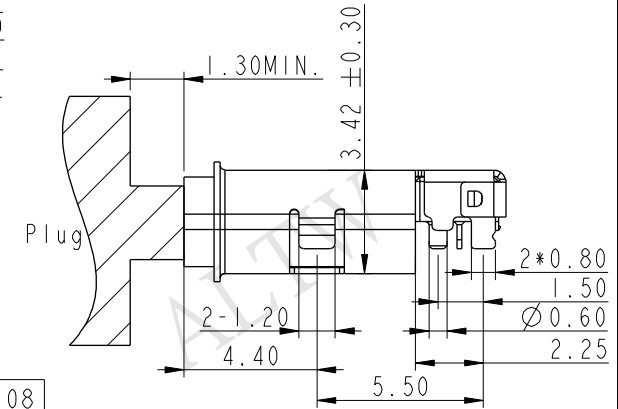
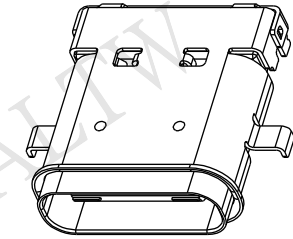
IPX7:7

001:With TID
002:Non TID

Note:

- * IP: IPXX
- * Connecote: Thermoplastic
- * Pin: Copper Alloy
- * Shield: Stainless (Inner)
Stainless & Nickel Plating (Out)
- * Operating Temperature: -40°C To +85°C

REV.	DESCRIPTION
A	New Initial



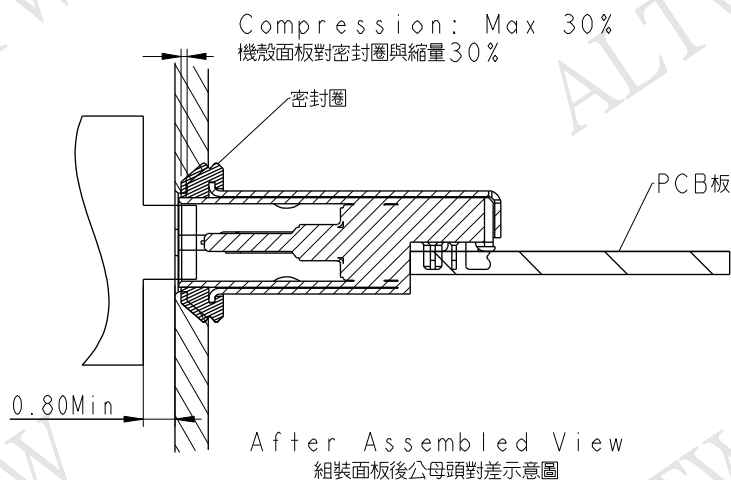
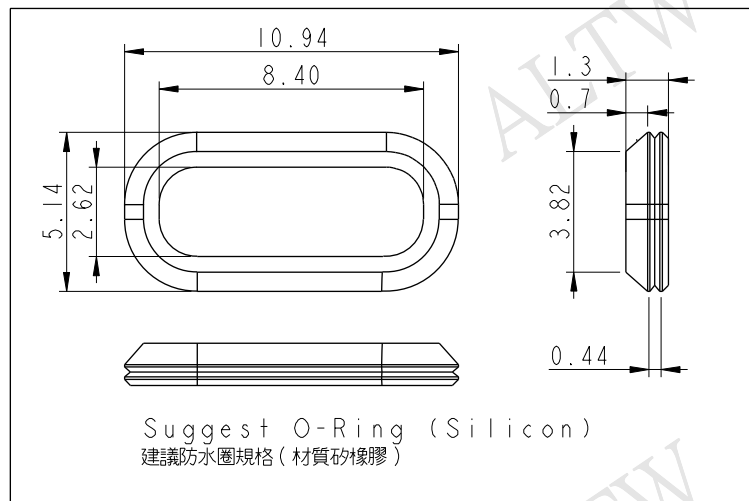
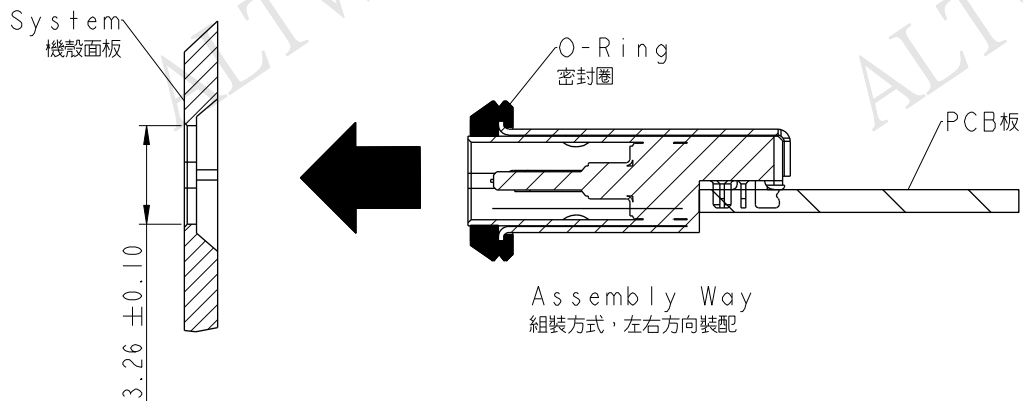
Pin	Signal Name	Mating Sequence	Pin	Signal Name	Mating Sequence
A1	GND	First	B12	GND	First
A2	SSTXp1	Second	B11	SSRXp1	Second
A3	SSTXn1	Second	B10	SSRXn1	Second
A4	Vbus	First	B9	Vbus	First
A5	CC1	Second	B8	SBU2	Second
A6	Dp1	Second	B7	Dn2	Second
A7	Dn1	Second	B6	Dp2	Second
A8	SBU1	Second	B5	CC2	Second
A9	Vbus	First	B4	Vbus	First
A10	SSRXn2	Second	B3	SSTXn2	Second
A11	SSRXp2	Second	B2	SSTXp2	Second
A12	GND	First	B1	GND	First
SHELL		GND	SHELL		GND

UNIT:mm		TITLE USB 3.1 C TYPE JACK	
TOLERANCE ±0.5 mm	SCALE 4:1	SIZE A4	SHEET 1 OF 3
	REV. A	WC-REV. A.3	QC: Inspection item

Amphenol LTW
安費諾亮泰企業股份有限公司

ITEM NO UC-31PFFH-QFXXXX	DRAWN BY Richard	DATE 2018/04/03
DWG NO UC-31PFFH-QFXXXX	CHECKED BY Neo	DATE 2018/04/03
CUSTOMER ALTW	APPROVED BY Max	DATE 2018/04/03

THIS DOCUMENT IS SUBJECT TO CHANGE WITHOUT NOTICE. IT IS CONFIDENTIAL AND A PROPERTY OF Amphenol LTW. DISCLOSURE TO THIRD PARTY HAS TO BE AUTHORIZED BY Amphenol LTW.



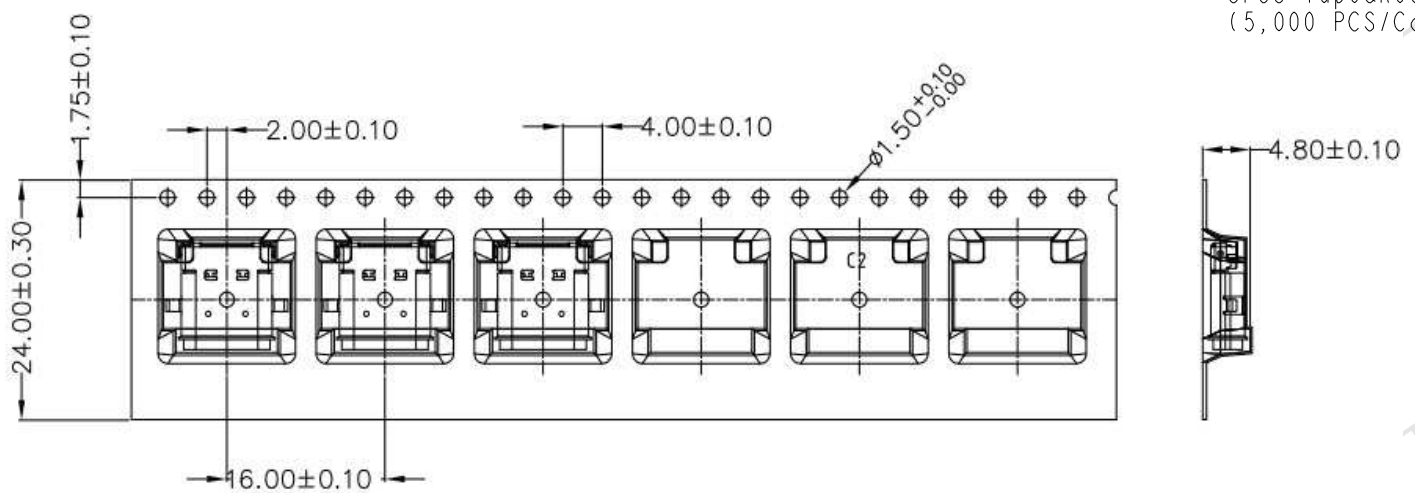
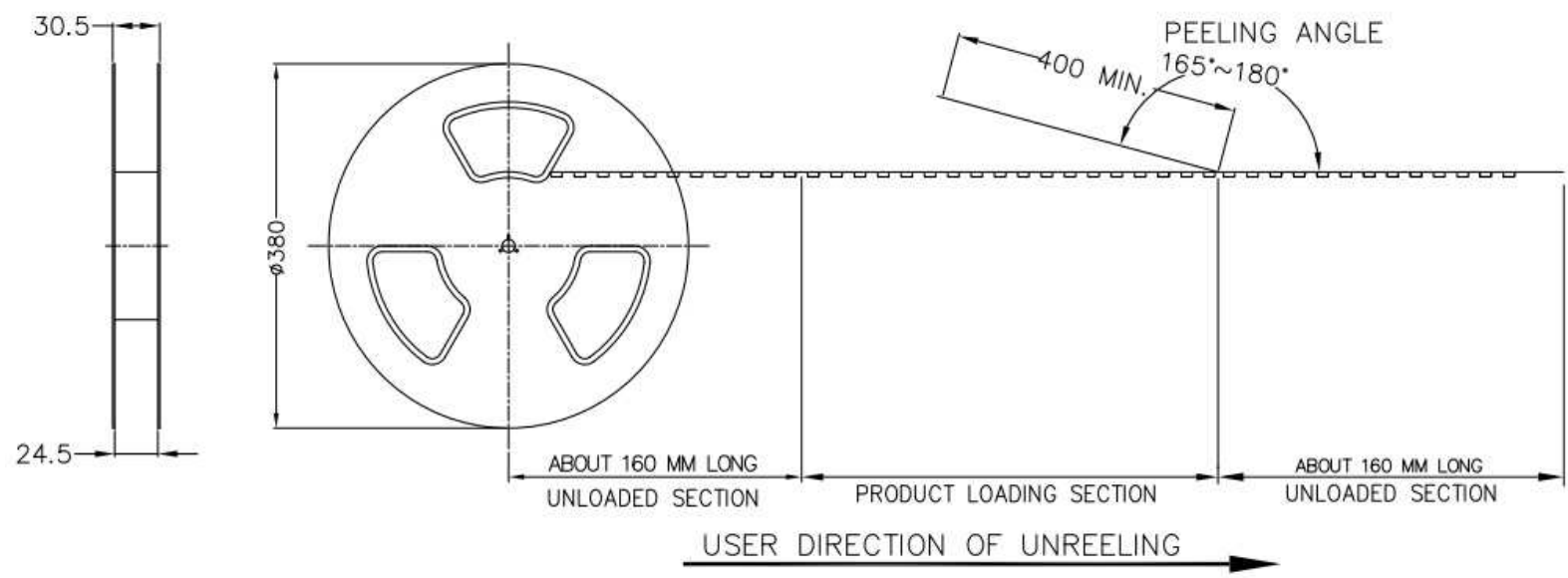
UNIT: mm		
TOLERANCE		
±0.5 mm		

TITLE USB 3.1 C TYPE JACK			
SCALE 4:1	SIZE A4	SHEET 2 OF 3	
REV. A	WC-REV. A.3	QC: Inspection item	

Amphenol LTW
安費諾亮泰企業股份有限公司

ITEM NO UC-31PFFH-QFXXXX	DRAWN BY Richard	DATE 2018/04/03
DWG NO UC-31PFFH-QFXXXX	CHECKED BY Neo	DATE 2018/04/03
CUSTOMER ALTW	APPROVED BY Max	DATE 2018/04/03

THIS DOCUMENT IS SUBJECT TO CHANGE WITHOUT NOTICE. IT IS CONFIDENTIAL AND A PROPERTY OF AMPHENOL LTW. DISCLOSURE TO THIRD PARTY HAS TO BE AUTHORIZED BY AMPHENOL LTW.



*1000PCS (Connector) In A Tape&Reel
 5PCS Tape&Reel In A Carton
 (5,000 PCS/Carton)

UNIT:mm
 TOLERANCE
 0.5

TITLE
 USB 3.1 C TYPE JACK

SCALE 3:1 SIZE A4 SHEET 3 OF 3

REV. WC-REV. A.3

QC: Inspection item

Amphenol LTW
 安費諾亮泰企業股份有限公司

ITEM NO UC-31PFFH-QFXXXX

DWG NO UC-31PFFH-QFXXXX

CUSTOMER ALTW

DRAWN BY Richard

CHECKED BY Neo

APPROVED BY Max

DATE 2018/04/03

DATE 2018/04/03

DATE 2018/04/03

X-ON Electronics

Largest Supplier of Electrical and Electronic Components

Click to view similar products for [USB Connectors](#) category:

Click to view products by [Amphenol](#) manufacturer:

Other Similar products are found below :

[65-647-8-BK-BU](#) [950](#) [E8144-B01021-L](#) [A-USB A-LP-SMT-C](#) [A-USB B-TOP-C](#) [MUSBA511N5](#) [MUSBD11135](#) [217450-1](#) [CA 6 W LD](#)
[KMBVX-TH-5S-B30](#) [896-30-004-00-000000](#) [KUSBVX-BS1N-W30](#) [KUSBX-AP-KIT-SCBLK](#) [KUSBX-AS2N-W](#) [KUSBX-SMT2AP1S-W](#)
[KUSBX-SMT2AP1S-W30](#) [935](#) [957](#) [30-498-6](#) [1734082-1](#) [30-1574](#) [30-470](#) [30-489](#) [30-541](#) [30-572-3](#) [MAB 8 SN V](#) [A-USB A-2P-C](#)
[MIKROE-1451](#) [USBFTV2PEM2G](#) [USBFTVC6ZN](#) [KUSBX-AS2N-W30](#) [KUSBX-SLAS1N-W](#) [KUSBX-SMT-AS1N-W30](#) [4689-1](#) [1-](#)
[1734084-2](#) [E8110-001-01](#) [MUSBA81130](#) [33UBARS1-04SW11](#) [33UBAR-04SW11](#) [USBF21ZNSCC](#) [USBBFTV6ZC](#) [10135326-001LF](#)
[M9177/3-1](#) [925](#) [4198](#) [690-024-633-031](#) [KUSBEX-BSFS1N-W](#) [USBFTVC6MRG](#) [UA-20BMFA-SL8001](#) [17-200011](#)