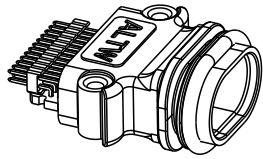
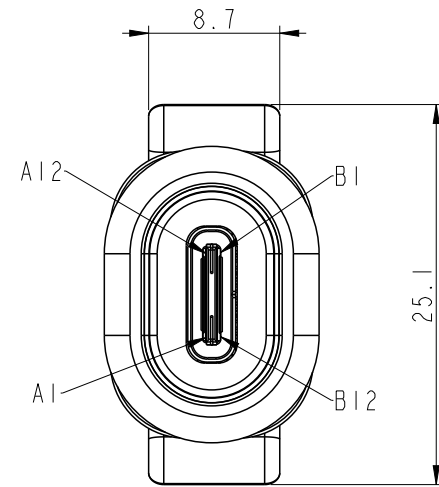
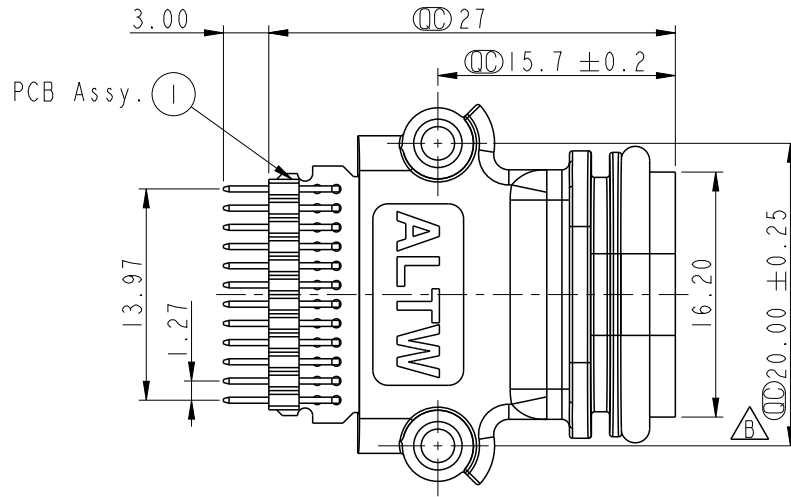
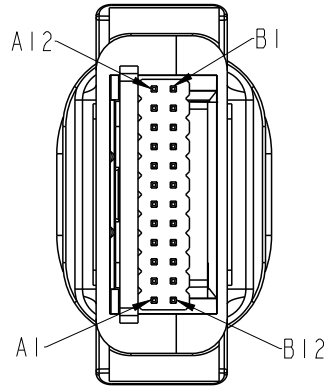


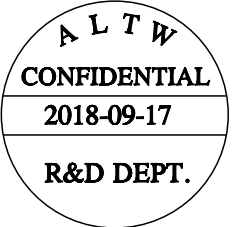
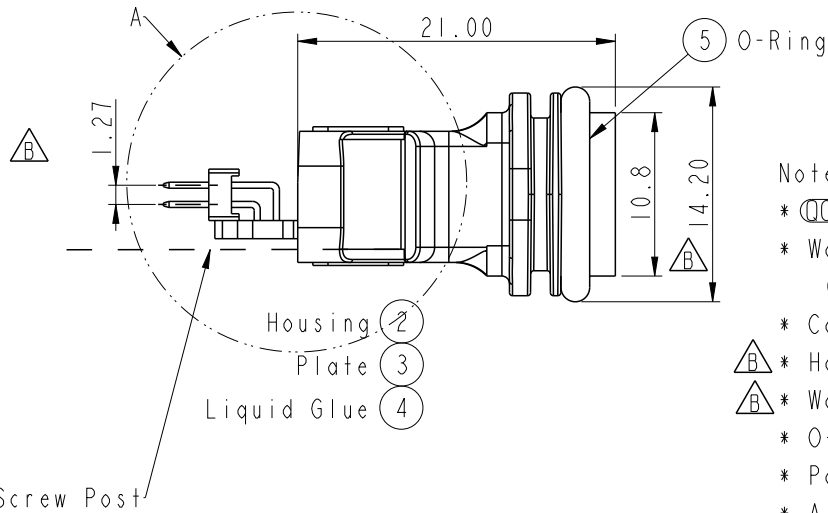
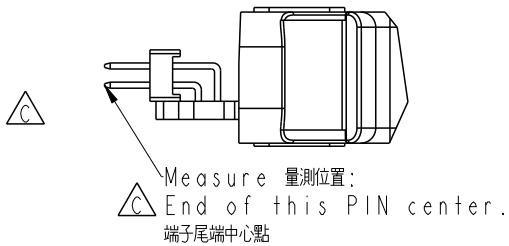
REV.	ECN NO.	DATE	SIGN	DESCRIPTION
A	Initial release	2016/05/10	Doreen	New ITEM.
B	LE316B0101	2016/10/21	Cheng	Change Note, Change Dimensions
C	C180129	2018/09/17	Neo	Modify The Measure Point And Tolerance



比例 1:1



Detail A(2:1)



Note:

- * \varnothing Important Dimension
- * Waterproof Rate: IP68(Unmated)
(Under water 1M, 24H)
- * Connector: USB Type C Female
- * \triangle Housing: Nylon+25%GF, UL94 V-0, F1, Black
- * \triangle Wafer: 24Pin Header, Dual Row, Pitch=1.27mm
- * O-Ring: Silicone, Gray
- * Panel Thickness max: 4.0mm
- * All Parts Are RoHS Compliant

\triangle Surface of Screw Post

UNIT: mm		
TOLERANCE	.X ±0.25	
.XX ±0.1		
.XXX ±0.05		
ANGLES	±1°	

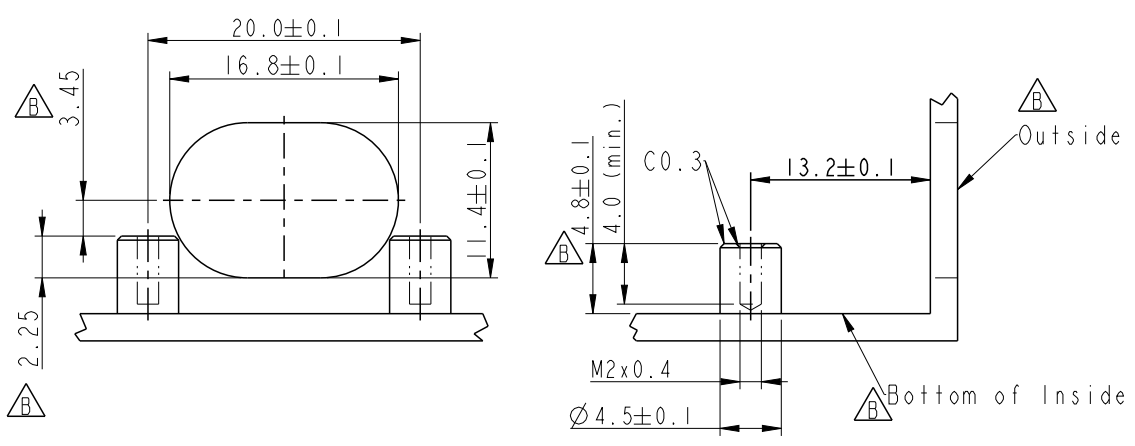
TITLE USB USB 3.1 TYPE C JACK			
SCALE 2:1	SIZE A4	SHEET 1 OF 2	
REV. C	WC-REV. A.28	\varnothing : Inspection item	

Amphenol LTW
安費諾亮泰企業股份有限公司

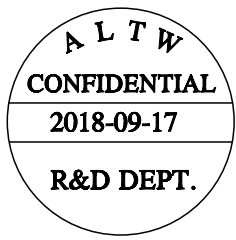
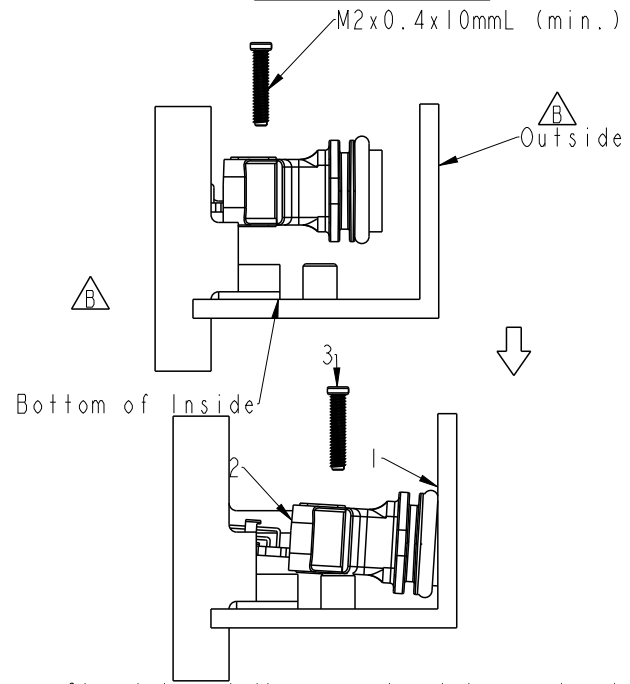
ITEM NO. UC-31PFFP-QS8001	DRAWN BY Neo	DATE 2018/09/17
DWG NO. UC-31PFFP-QS8001	CHECKED BY Kris	DATE 2018/09/17
CUSTOMER ALTW	APPROVED BY Max	DATE 2018/09/17

THIS DOCUMENT IS SUBJECT TO CHANGE WITHOUT NOTICE. IT IS CONFIDENTIAL AND A PROPERTY OF Amphenol LTW. DISCLOSURE TO THIRD PARTY HAS TO BE AUTHORIZED BY Amphenol LTW.

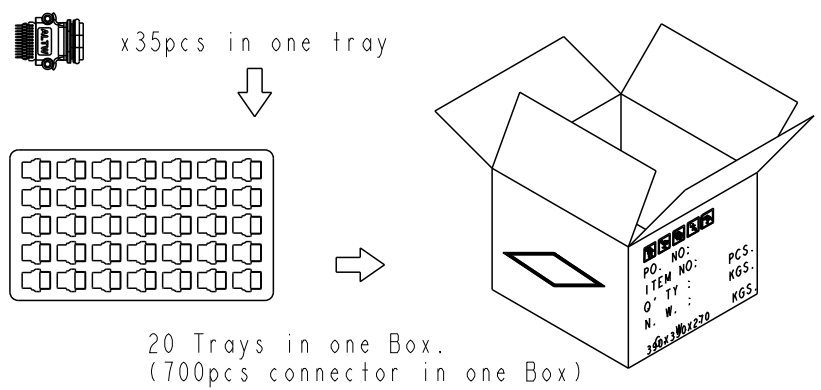
Recommended Panel Cut-Out



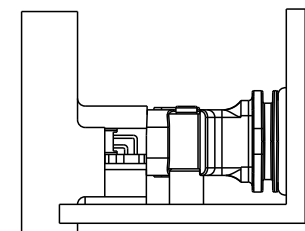
Installation.



Packing Instructions.



- Step 1. Insert the connector into panel-cut by slanted angle.
 Step 2. The connector incline downward and engage to screw post.
 Step 3. Fastening the screws to fix the connector.
- 第一步：連接器以傾斜角度插入內孔
 第二步：將連接器斜往下壓，與螺絲柱孔卡合
 第三步：鎖上螺絲固定



Finished 完成

UNIT: mm		
TOLERANCE	.X ±0.25	
	.XX ±0.1	
	.XXX ±0.05	
ANGLES	±1°	

TITLE USB USB 3.1 TYPE C JACK			
SCALE 2:1	SIZE A4	SHEET 2 OF 2	
REV. C	WC-REV. A.28	☉: Inspection item	

Amphenol LTW
 安費諾亮泰企業股份有限公司

ITEM NO. UC-31PFFP-QS8001	DRAWN BY Neo	DATE 2018/09/17
DWG NO. UC-31PFFP-QS8001	CHECKED BY Kris	DATE 2018/09/17
CUSTOMER ALTW	APPROVED BY Max	DATE 2018/09/17

THIS DOCUMENT IS SUBJECT TO CHANGE WITHOUT NOTICE. IT IS CONFIDENTIAL AND A PROPERTY OF Amphenol LTW. DISCLOSURE TO THIRD PARTY HAS TO BE AUTHORIZED BY Amphenol LTW.

X-ON Electronics

Largest Supplier of Electrical and Electronic Components

Click to view similar products for [USB Connectors](#) category:

Click to view products by [Amphenol](#) manufacturer:

Other Similar products are found below :

[65-647-8-BK-BU](#) [950](#) [E8144-B01021-L](#) [A-USB A-LP-SMT-C](#) [A-USB B-TOP-C](#) [MUSBA511N5](#) [MUSBD11135](#) [217450-1](#) [CA 6 W LD](#)
[KMBVX-TH-5S-B30](#) [896-30-004-00-000000](#) [KUSBVX-BS1N-W30](#) [KUSBX-AP-KIT-SCBLK](#) [KUSBX-AS2N-W](#) [KUSBX-SMT2AP1S-W](#)
[KUSBX-SMT2AP1S-W30](#) [935](#) [957](#) [30-498-6](#) [1734082-1](#) [30-1574](#) [30-470](#) [30-489](#) [30-541](#) [30-572-3](#) [MAB 8 SN V](#) [A-USB A-2P-C](#)
[MIKROE-1451](#) [USBFTV2PEM2G](#) [USBFTVC6ZN](#) [KUSBX-AS2N-W30](#) [KUSBX-SLAS1N-W](#) [KUSBX-SMT-AS1N-W30](#) [4689-1](#) [1-](#)
[1734084-2](#) [E8110-001-01](#) [MUSBA81130](#) [33UBARS1-04SW11](#) [33UBAR-04SW11](#) [USBF21ZNSCC](#) [USBBFTV6ZC](#) [10135326-001LF](#)
[M9177/3-1](#) [925](#) [4198](#) [690-024-633-031](#) [KUSBEX-BSFS1N-W](#) [USBFTVC6MRG](#) [UA-20BMFA-SL8001](#) [17-200011](#)