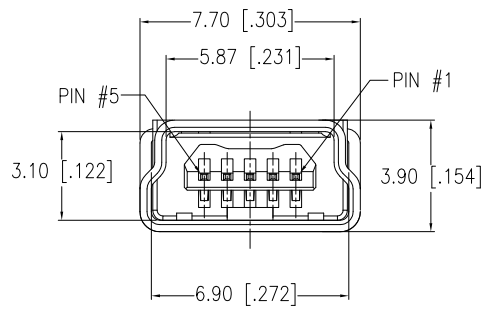
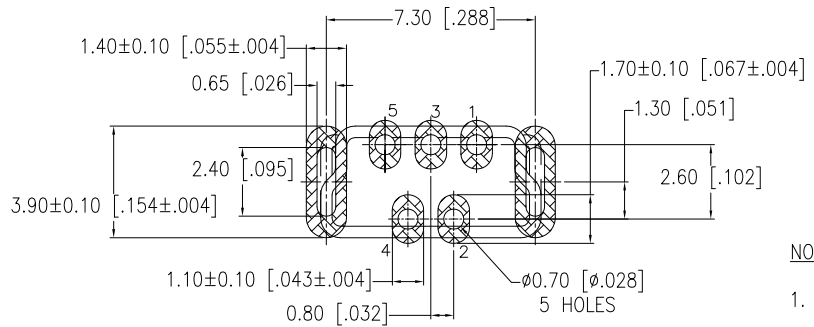


REVISIONS				
SYM	ZONE	ECN, ERN NO.	DATE	APPRD.
B		PRODUCT DWG (EAR 14195)	JUN07/13	K.L.
C		PRODUCT DWG (EAR 14206)	JUN19/13	K.L.



FRONT VIEW



RECOMMENDED P.C.B. LAYOUT
(COMPONENT SIDE OF BOARD)
TOLERANCE: ±0.05mm

NOTES:

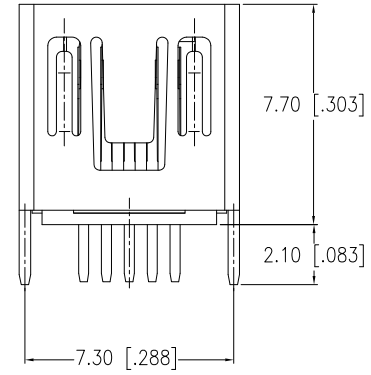
- MATERIALS:**

HOUSING: HIGH TEMPERATURE PLASTIC, OR PBT
FLAMMABILITY UL94V-0.

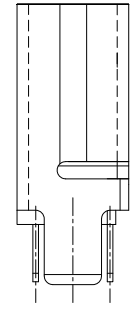
CONTACTS: COPPER ALLOY,
PLATING: GOLD ON MATING AREA (SEE AMPHENOL PART NO. OPTION).
MATTE TIN OR GOLD FLASH ON CONTACT TAILS.
NICKEL UNDERPLATE.

SHELL: COPPER ALLOY,
NICKEL.

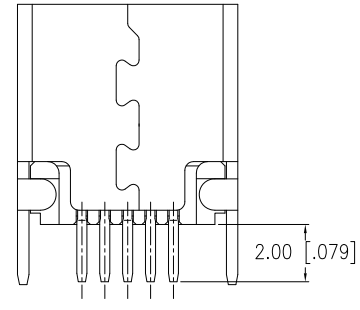
2. OPERATING TEMPERATURE: -40°C TO +105°C



TOP VIEW



SIDE VIEW



BOTTOM VIEW

AMPHENOL PART NO.: UE25 - BEX5 - 10X

SERIES _____
UE25=MINI USB RECEPTACLE

TYPE _____
B=SERIES B

STYLE _____
E=TOP ENTRY

CONTACT PLATING _____
5=30µ" [0.76 MICRONS] GOLD PLATING
ON CONTACT MATING AREA
7=GOLD FLASH OVER NICKEL ON CONTACT
MATING AREA.

MODIFIER
0=PBT
H=HIGH TEMP MATERIAL(<260°C)

SHIELD OPTIONS
0=WITHOUT REAR SHELL

COLOUR
1=BLACK

NUMBER OF CONTACTS
5=5 CONTACTS

UNLESS OTHERWISE SPECIFIED TOLERANCES ARE +0.30mm	DRAWN <i>HUILAN WANG</i>	DATE <i>APR 25,08</i>
	DESIGNED <i>MT CHEN</i>	DATE <i>APR 25,08</i>
	CHECKED <i>L.CHAN</i>	DATE <i>APR 25,08</i>
	I. E. APPRD.	
	Q. A. APPRD.	
	DWG. APPRD. <i>K.LAMBIE TBD</i>	
	ENG. REL. NO.	
REF.		
DIMENSIONS ARE IN _____	CODE ID. NO. _____	
MM [INCHES]	03554	

Amphenol Canada Corp.		
TITLE UNIVERSAL SERIAL BUS MINI-B RECEPTACLE, VERTICAL PCB TAIL, ROHS COMPLIANT		
DWG C	DRAWING NO. P-UE25-BEX5-10X	REV. C
SCALE 3/1	WT. _____	SURF. _____
SHEET 1 OF 1		

THIS DOCUMENT CONTAINS PROPRIETARY INFORMATION AND SUCH INFORMATION MAY NOT BE DISCLOSED TO OTHERS FOR ANY PURPOSE OR USED FOR MANUFACTURING PURPOSES WITHOUT WRITTEN PERMISSION FROM AMPHENOL CANADA CORP.

X-ON Electronics

Largest Supplier of Electrical and Electronic Components

Click to view similar products for [USB Connectors](#) category:

Click to view products by [Amphenol](#) manufacturer:

Other Similar products are found below :

[65-647-8-BK-BU](#) [950](#) [E8144-B01021-L](#) [A-USB A-LP-SMT-C](#) [A-USB B-TOP-C](#) [MUSBA511N5](#) [MUSBD11135](#) [217450-1](#) [CA 6 W LD](#)
[KMBVX-TH-5S-B30](#) [896-30-004-00-000000](#) [KUSBVX-BS1N-W30](#) [KUSBX-AP-KIT-SCBLK](#) [KUSBX-AS2N-W](#) [KUSBX-SMT2AP1S-W](#)
[KUSBX-SMT2AP1S-W30](#) [935](#) [957](#) [30-498-6](#) [17-210051](#) [1734082-1](#) [30-1574](#) [30-470](#) [30-489](#) [30-541](#) [30-572-3](#) [MAB 8 SN V](#) [A-USB A-](#)
[2P-C](#) [MIKROE-1451](#) [USBFTV2PEM2G](#) [USBFTVC6ZN](#) [KUSBX-AS2N-W30](#) [KUSBX-SLAS1N-W](#) [KUSBX-SMT-AS1N-W30](#) [4689-1](#) [1-](#)
[1734084-2](#) [E8110-001-01](#) [MUSBA81130](#) [33UBARS1-04SW11](#) [33UBAR-04SW11](#) [USBF21ZNSCC](#) [USBBFTV6ZC](#) [10135326-001LF](#)
[M9177/3-1](#) [USB-A-S-F-B-VT](#) [925](#) [4198](#) [690-024-633-031](#) [KUSBEX-BSFS1N-W](#) [USBFTVC6MRG](#)