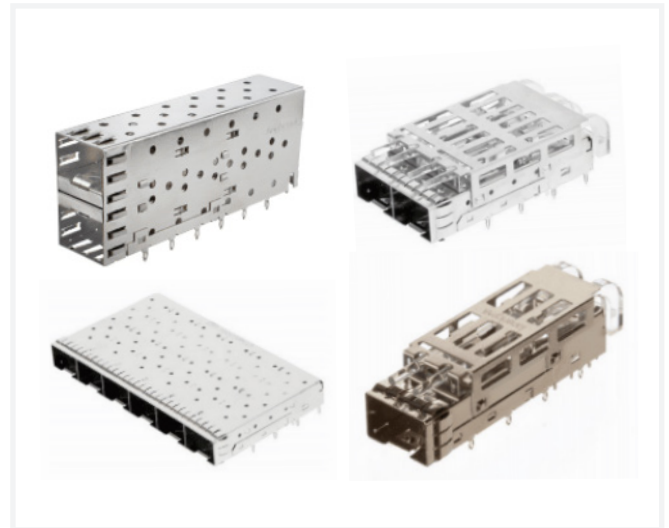


# ExpressPort® SFP+

Amphenol ICC's ExpressPort® SFP+ interconnect system provides data transfer speeds of up to 16Gb/s. The design of the ExpressPort® SFP+ connector minimizes impedance discontinuities and reflections at high data rates and provides a 10 to 20 dB improvement in Near-End Crosstalk. The ExpressPort® SFP+ unique cage construction features EMI shielding available in the form of metal spring fingers or elastomeric gaskets. Additional features available include light pipes, heat sinks and many other custom features.



## TARGET MARKETS



## TECHNICAL INFORMATION

### MATERIAL

- Housing: Black or nature color, Glass-reinforced, lead-free solder reflow process compatible thermoplastic
- Contacts Base Material: Phosphor Bronze
- Plating Solder Tails: Matte tin or gold flash options
- Plating Mating Area: Gold
- Resonance Dampening Feature: Conductive Polymer

### MECHANICAL PERFORMANCE

- Durability: 250 mating cycles
- Mating Force: 50 N max.
- Card Entry Slot: 1.0mm-thick integrated circuit cards
- Contact Normal Force: 100 grams
- PCB Thickness Single Side (Cage): 1.57 mm (0.062 in.) min.
- PCB Thickness Belly to Belly (Cage): 3.00 mm (0.118 in.) min.
- Unmating Force (Cage): 11.50 N max.
- Insertion Force to PCB (Cage):
  - 1000 N for 2 port
  - 2100 N for 4 port
  - 3000 N for 6 port

### ELECTRICAL PERFORMANCE

- Operating Voltage: 30 VDC per contact
- Operating Current: 0.5 A per contact
- Differential Impedance: 100Ω +/- 10Ω

### ENVIRONMENTAL

- Operating and (Storage) Temperature: -55° to +85°C
- RoHS & Halogen-Free

### TOOLING INFORMATION

- EMI Options, Heat Sink and Clip: Available
- Configurations:
  - 1xN (N = 1,2,3,4,5,6,8)
  - 2xN (N = 1,2,3,4,5,6,8)

### TARGET MARKETS/APPLICATIONS



Cellular Infrastructure  
Network Interface Cards  
Switch



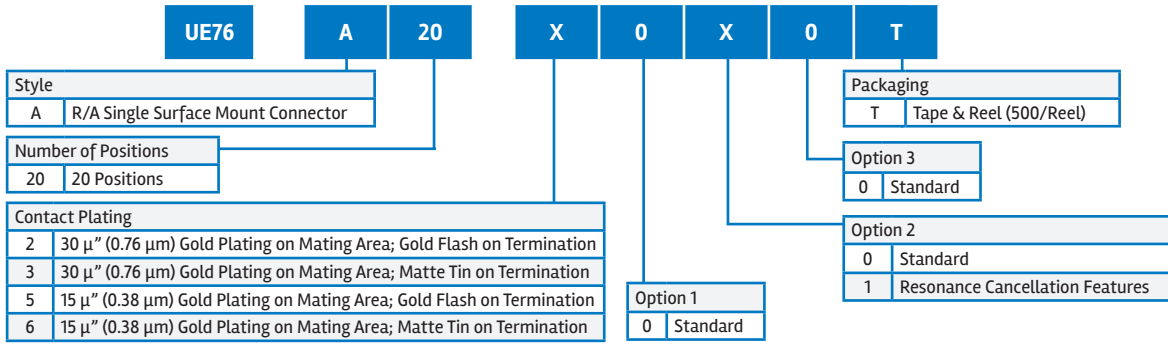
Hubs  
Servers  
Storage



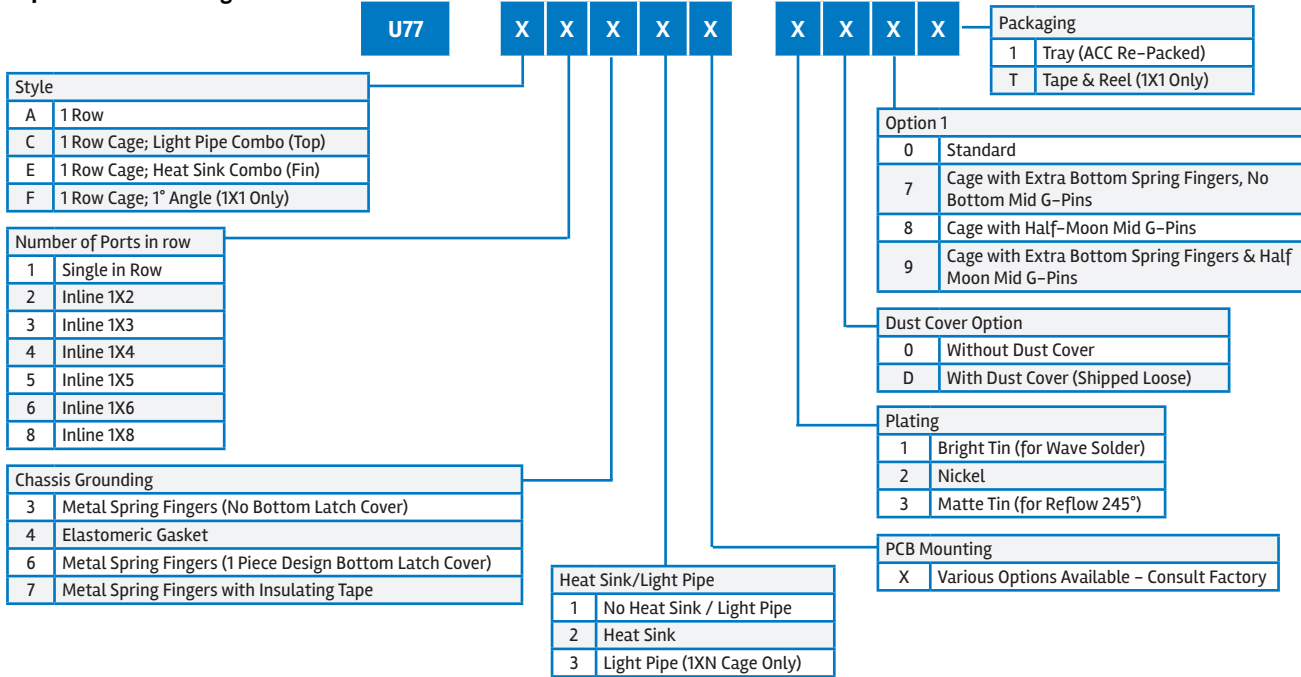
Test and Measurement Equipment

# ExpressPort® SFP+

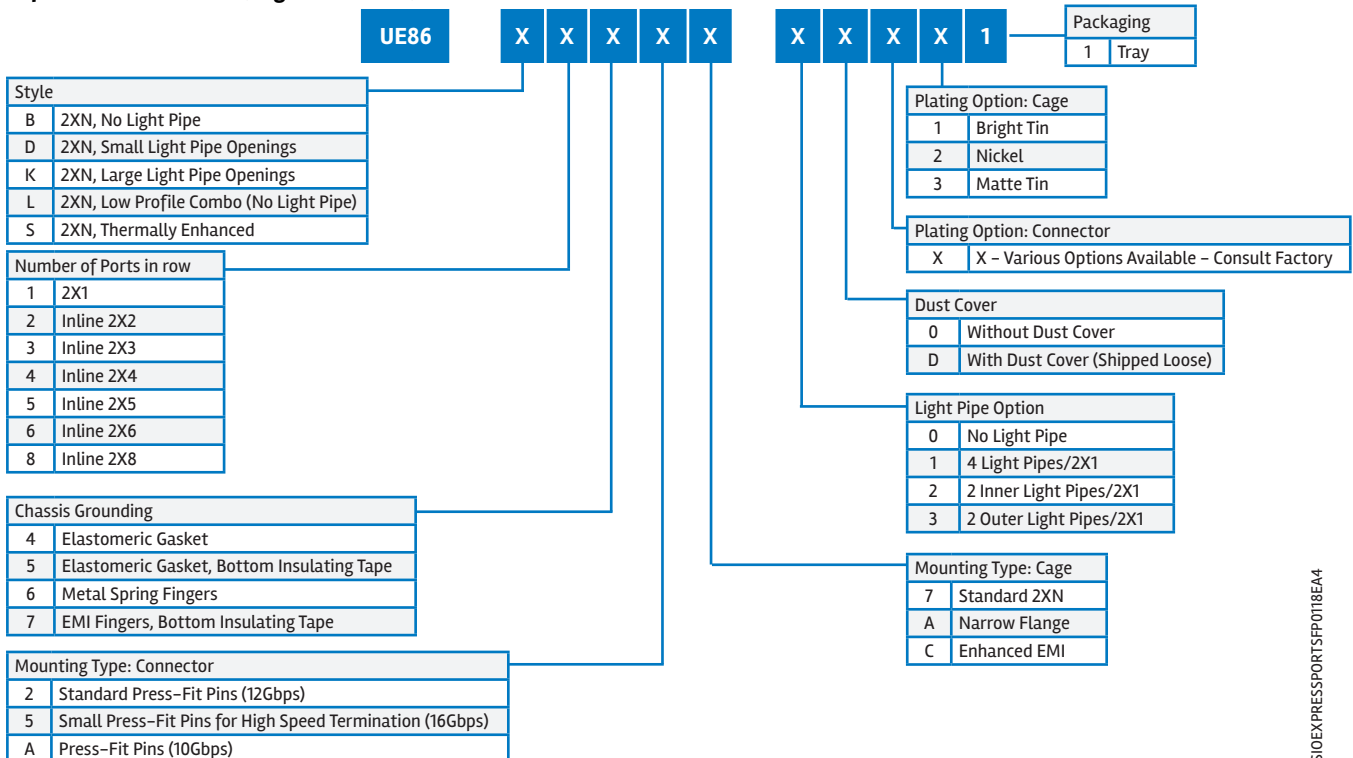
## ExpressPort® SFP+ Connector



## ExpressPort® SFP+ Cage



## ExpressPort® SFP+ 2XN (Cage/Connector)



HSIOEXPRESSPORTSFP018EA4

## X-ON Electronics

Largest Supplier of Electrical and Electronic Components

*Click to view similar products for [I/O Connectors](#) category:*

*Click to view products by [Amphenol](#) manufacturer:*

Other Similar products are found below :

[571763P](#) [61-168618-12P](#) [72.250.1628.2](#) [72.250.2428.2](#) [74720-0505](#) [76.350.0729.0](#) [76871-1403](#) [MP-5T180MUNNA-005](#) [PCR-E36PM](#) [PCS-XES68MS+](#) [G38A71314B](#) [9776-18-6](#) [1571250010](#) [157-22500-3](#) [MS3471L14-19P L/C](#) [192991-0703](#) [91-644626-35P](#) [SM3100F14S-58S](#)  
[172501-6002](#) [FCN-260C008-A/L0](#) [FCN-260C024-AL0](#) [FCN-261Z008](#) [2000314-1](#) [200331-1](#) [PCR-E36FC+](#) [PCS-E28FS+](#) [PCS-XE26SLFD+](#)  
[PCS-XE26SLFDT+](#) [G730VID08BDC24](#) [HDMR-29-01-S-SM-TR](#) [HDRA-E68W1LFDTC-SL+](#) [HDR-E14MSG1+](#) [54182-0605](#) [38113800006](#)  
[DP3AR020WQ1R200](#) [Z4.102.0680.0](#) [500-1040](#) [500-1052](#) [500-1054](#) [ZP-4008-66L](#) [10-584459-12P](#) [SM3106F14S-7S-LC](#) [SM3106R18-18S](#)  
[U90B3054061110](#) [U65-E04-4020](#) [ZPF000000000097891](#) [557-262M2-06C](#) [60-042222-02S](#) [10099439-003C-TRLF](#) [226-0348-000](#)