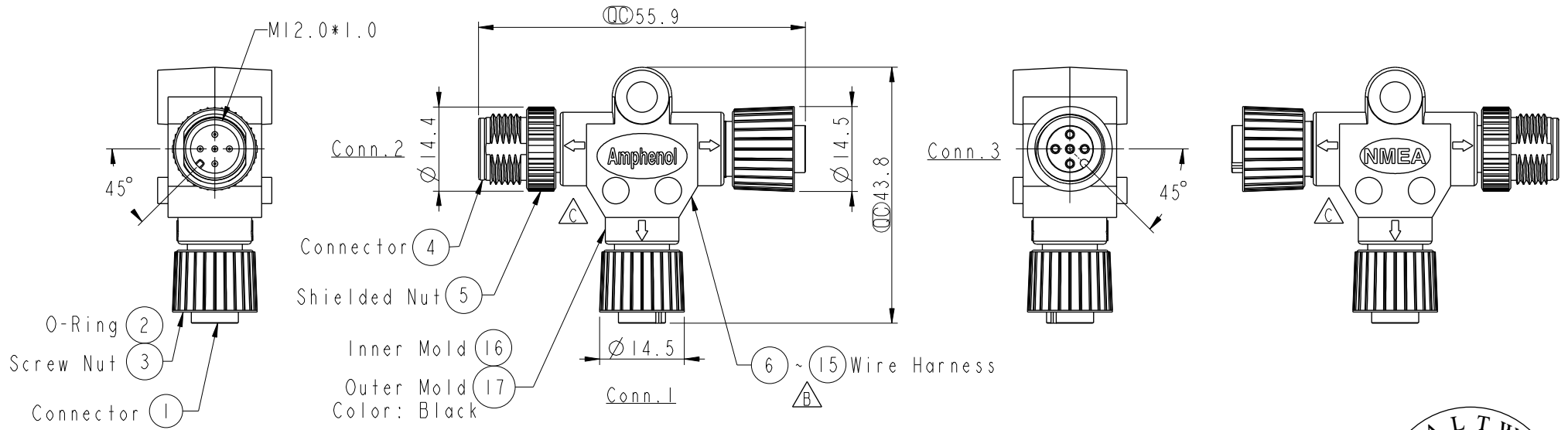
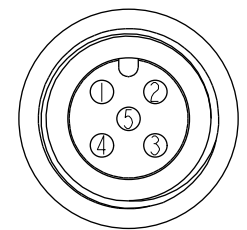


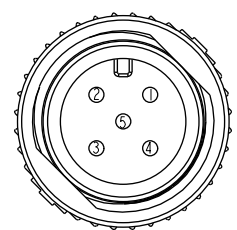
REV.	ECN NO.	DATE	SIGN	DESCRIPTION
A	Initial Release	2009/07/09	Doreen	Change REV.01 to REV.A
B	LE3-030120	2010/03/16	Li Xiu Zhi	Add Wire Harness
C	LE31720107	2017/01/25	Ruru	Change Logo & Outer Mold Design



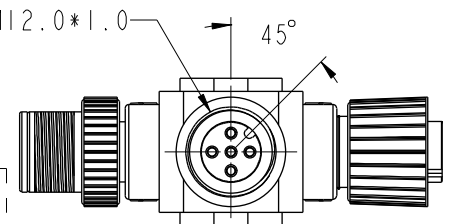
ALTW
CONFIDENTIAL
2017-01-25
R&D DEPT.



Conn. 1&3
Pin Assignments
Front View



Conn. 2
Pin Assignments
Front View



Wire Color	Conn. 1	Conn. 2	Conn. 3
Blue 藍 (24AWG)	5	5	5
White 白 (24AWG)	4	4	4
Black 黑 (22AWG)	3	3	3
Red 紅 (22AWG)	2	2	2
Green 綠 (22AWG)	1	1	1

Note:
 * \varnothing Important Dimension.
 * Waterproof Rate: IP68.
 * Connector: PU, Black
 * O-Ring: Silicone, Gray
 * Nut: Zinc Alloy, Nickel Plated.
 * Male Pin: Copper Alloy, Gold Plated.
 * Wire Harness: UL1007/TR64 22AWG, Green, Red, Black.
 * Wire Harness: UL1007/TR64 24AWG, White, Blue.

UNIT: mm
 TOLERANCE
 ± 0.5 mm

TITLE
 M12 Conn T Adaptor Screw
 FMF Conn FMF Pin

SCALE 1:1 SIZE A4 SHEET 1 OF 1

REV. C WC-REV. A.1 \varnothing : Inspection item

Amphenol LTW
 安費諾亮泰企業股份有限公司

ITEM NO	DRAWN BY	DATE
	Ruru	2017-01-25
DWG NO	CHECKED BY	DATE
UMC-050505-FMF-TS001	Rita	2017-01-25
CUSTOMER	APPROVED BY	DATE
ALTW	Max	2017-01-25

THIS DOCUMENT IS SUBJECT TO CHANGE WITHOUT NOTICE. IT IS CONFIDENTIAL AND A PROPERTY OF Amphenol LTW. DISCLOSURE TO THIRD PARTY HAS TO BE AUTHORIZED BY Amphenol LTW.

X-ON Electronics

Largest Supplier of Electrical and Electronic Components

Click to view similar products for [Standard Circular Connector](#) category:

Click to view products by [Amphenol](#) manufacturer:

Other Similar products are found below :

[5M2530B10P](#) [600259N006](#) [600273N007](#) [6134-336-13149](#) [6134-337-11149](#) [6134-337-2390](#) [6134-341-17149](#) [6280-4SG-516](#) [6280-7SG-3DC](#)
[6290](#) [6291A](#) [66200A-10](#) [680-SMG](#) [681-PMG](#) [CXS3102A14S2P](#) [CXS3102A181S](#) [7251-6SG-300](#) [7271-6SG-300](#) [7282-3PG-300-CH3](#) [75-](#)
[474014-05S](#) [75-474618-01S](#) [75-474618-04P](#) [75-474618-04S](#) [799539-000](#) [MI8-SE](#) [805-005-07NF11-19PC](#) [805-005-07NF15-7PA](#) [8280-4PG-](#)
[516](#) [8280-7PG-519](#) [8282-5PG-519](#) [836783-1](#) [MP-4102-25P-C](#) [862256-1](#) [864019-2](#) [866857-1](#) [867865-1](#) [PT01SP-14-18P](#) [PT08P-14-5S](#)
[PTSF06SE-14-12S](#) [120-1833-000](#) [QCM019PC2DC012B](#) [1-2069279-1](#) [121583-0217](#) [121667-0020](#) [129591AU](#) [1000B BULK](#) [RD10A16-19-](#)
[P6CS051/1](#) [RD10A20-31-P8CS051/1](#) [RD16A14-12-S6CS051/2](#) [1301240290](#) [1301240347](#)