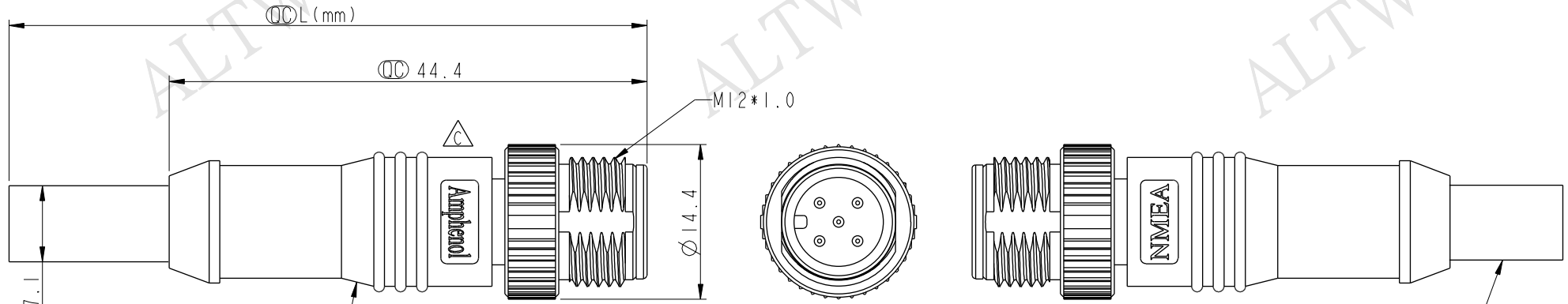


| REV. | ECN NO. | DATE | SIGN | DESCRIPTION |
|------|-----------------|------------|-------------|-----------------------------|
| A | Initial Release | 2009/04/15 | Doreen | Change REV.01 to REV.A |
| B | LEN1270113-117 | 2012/07/16 | Jason Jiang | Change Cable Color To Gray |
| C | LEN15C0339-343 | 2015/12/09 | Ruru | Change Logo LTW To Amphenol |

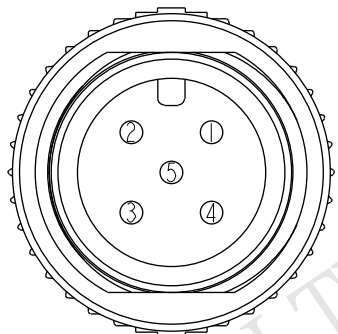


UMC-05BMMM-SL8000
Color: Black

UMC-05BMMM-SL8AXX

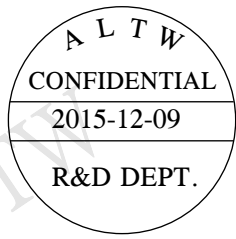
- XX : 01~99Meters
- 01 : 01Meter
- 02 : 02Meters
- ...
- 99 : 99Meters

Cable Length(L): 01~99Meters



Pin Assignments
Front View

| | | | |
|-------|------------|-----------|-------------|
| 5 | Blue | 藍(24AWG) | Twist 對線 |
| 4 | White | 白(24AWG) | |
| 3 | Black | 黑(24AWG) | Twist 對線 |
| 2 | Red | 紅(24AWG) | |
| 1 | Drain | 地線(24AWG) | |
| Conn. | Wire Color | | |
| | Pin Out | | |



- Note:
- * \varnothing Important Dimension.
 - * Waterproof Rate: IP68
 - * Connector: PU, Black
 - * Male Pin: Copper Alloy, Gold Plated
 - * Cable: (24#*IP+A)+(22#*IP+A)+D+AL/My+Braid
PVC UV Cable, OD=7.1mm, Gray
 - * Cable Length Tolerance:
 - 01M: ±40mm
 - 02M~05M: ±60mm
 - 06M~10M: ±100mm
 - 11M~30M: ±200mm
 - 31M~99M: ±500mm

| | | | | | | | |
|--------------------------------|-----------------------------------|----------------|-------------------------------|---------------------------------|-----------------------------|---------------------|--------------------|
| UNIT:mm TOLERANCE ±0.5mm | TITLE M12 Male Conn. Male Pin, | | Amphenol LTW 安費諾亮泰企業股份有限公司 | ITEM NO | DRAWN BY Ruru | DATE 2015-12-09 | |
| | SCALE 2:1 | SIZE A4 | | SHEET 1 | DWG NO UMC-05BMMM-SL8AXX | CHECKED BY Rita | DATE 2015-12-09 |
| | REV. C | WC-REV. A.1 | | \varnothing : Inspection item | CUSTOMER ALTW | APPROVED BY Lisa | DATE 2015-12-09 |

THIS DOCUMENT IS SUBJECT TO CHANGE WITHOUT NOTICE. IT IS CONFIDENTIAL AND A PROPERTY OF Amphenol LTW. DISCLOSURE TO THIRD PARTY HAS TO BE AUTHORIZED BY Amphenol LTW.

X-ON Electronics

Largest Supplier of Electrical and Electronic Components

Click to view similar products for [Sensor Cables / Actuator Cables](#) category:

Click to view products by [Amphenol](#) manufacturer:

Other Similar products are found below :

[60963](#) [60964](#) [M83513/19-F01CP](#) [703000D02F2002](#) [703001D02F0602](#) [703001D02F300](#) [704000D02F120](#) [773032K02F030](#) [802027107404-1](#)
[802027213811-1](#) [804001A09M150](#) [805001A09M0502](#) [84914-0235](#) [84914-0237](#) [885030A09M020](#) [8R4J30E03C3003](#) [1200651332](#)
[1200651713](#) [1200660844](#) [1200660845](#) [1200661173](#) [1200680071](#) [1200720053](#) [1200720081](#) [1200720099](#) [1200720217](#) [1200800231](#)
[1200860125](#) [1200870123](#) [1200980102](#) [1200650267](#) [1200650298](#) [1200660183](#) [1200660782](#) [1200660849](#) [1200661295](#) [1200661297](#)
[1200661342](#) [1200661343](#) [1200670080](#) [1200670220](#) [1200680331](#) [1200720252](#) [1200730184](#) [1200860344](#) [1200870359](#) [1200870643](#)
[1200980008](#) [1200980031](#) [1210502211](#)