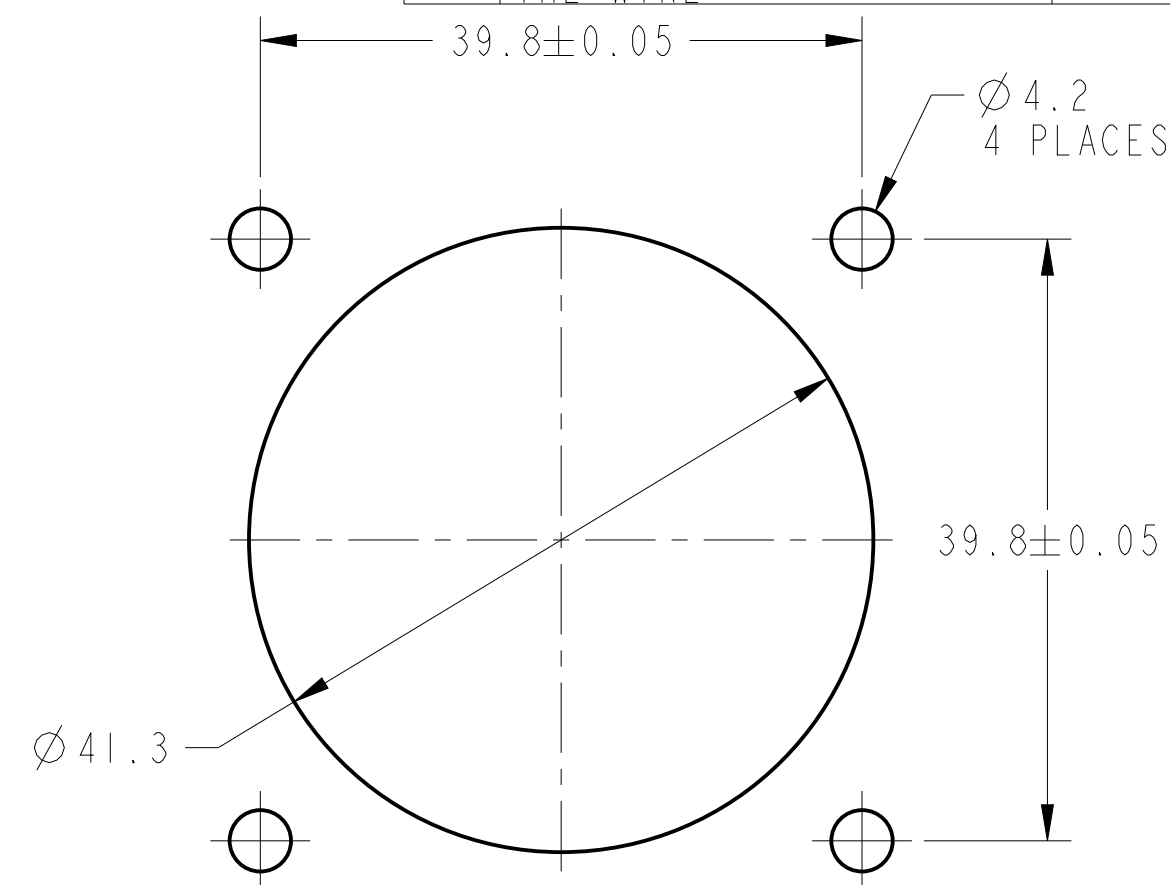
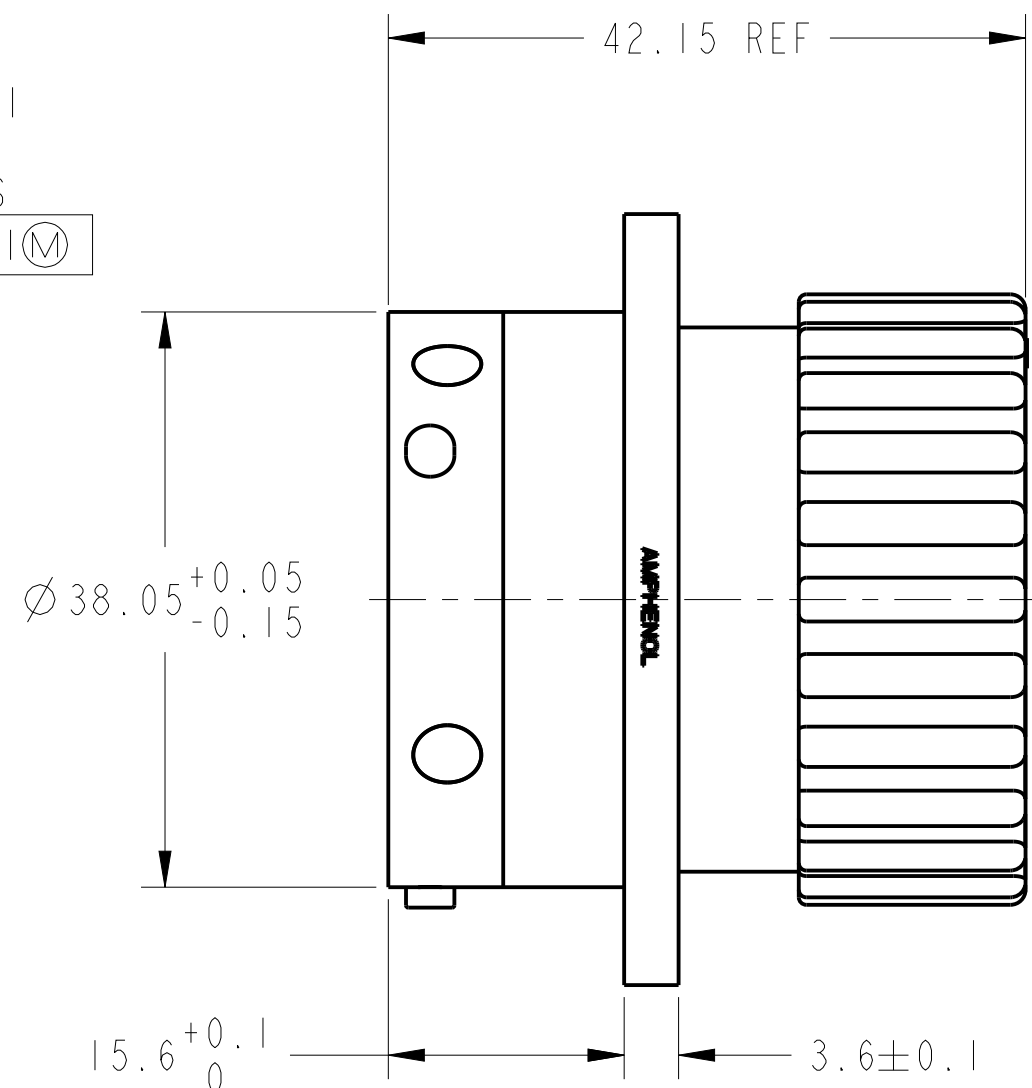
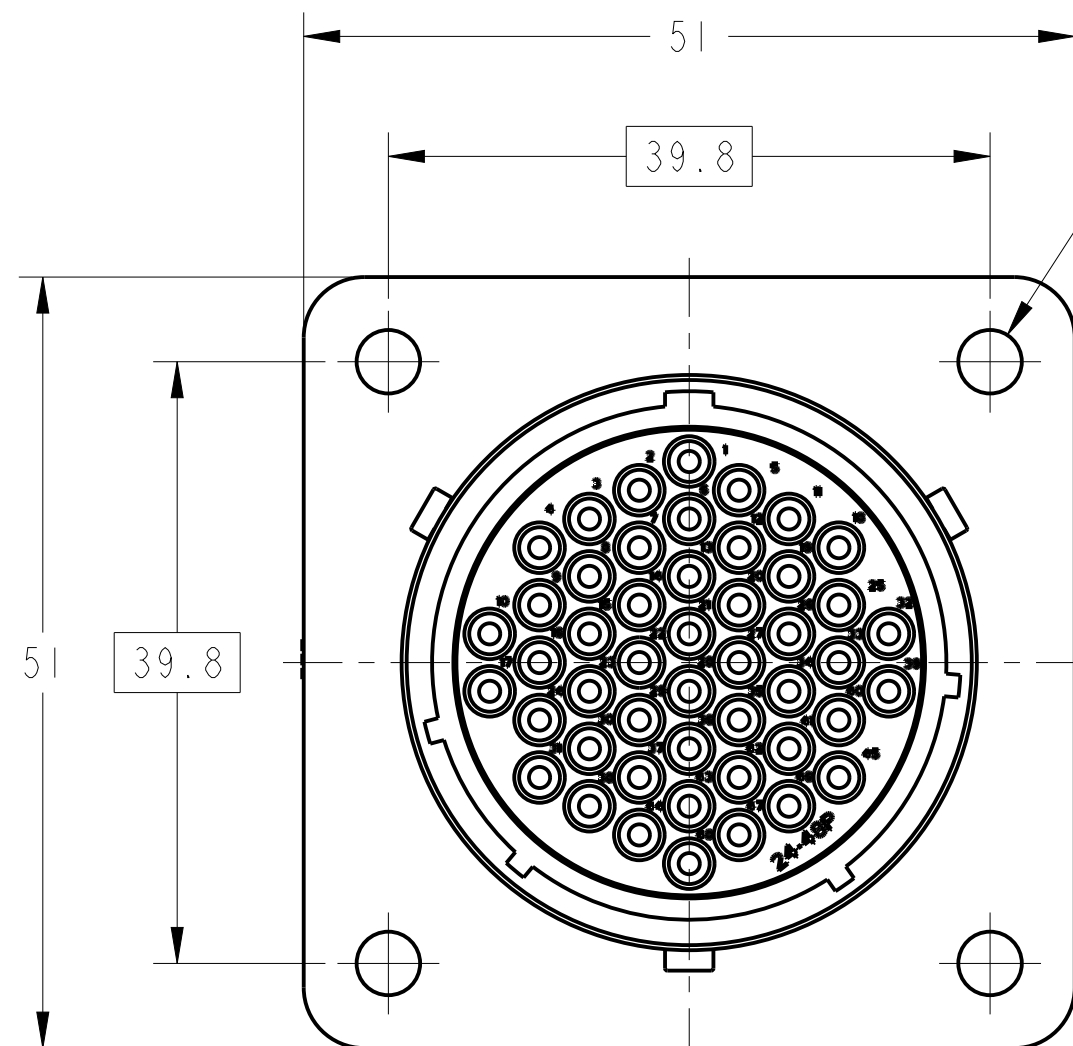


GENERAL TOLERANCE

DIM. RANGE	0.5 ~ 3	> 3 ~ 6	> 6 ~ 30	> 30 ~ 120	> 120 ~ 400
TOLERANCE	±0.1	±0.1	±0.2	±0.3	±0.5

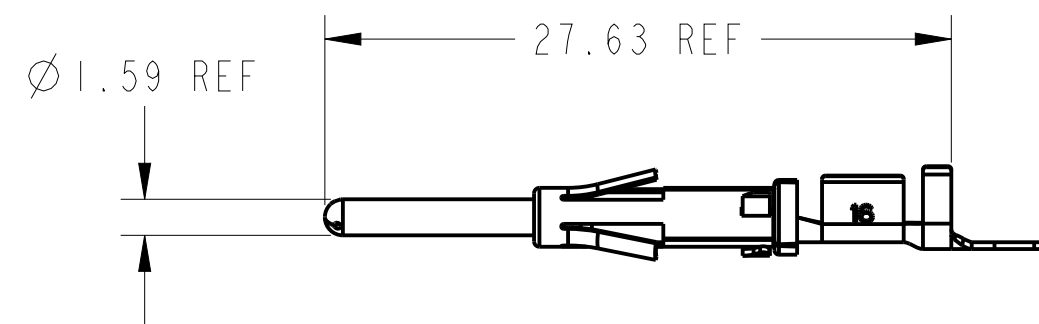
CUSTOMER DRAWING

REV	DESCRIPTION	DATE
PA1	INITIAL RELEASE	2015-09-18
PA2	CHANGE THE CONTACT PART NUMBER	2017-03-22
PA3	ADD THE GASKET	2017-06-29
PA4	ADD THE RANGE OF THE WIRE	2017-08-01



RECOMMEND CUT-OUT

SPECIFICATIONS 技术参数	
RATED CURRENT SIZE 16 额定电流	13Amps
OPERATING VOLTAGE 工作电压	250VAC
WITHSTANDING VOLTAGE 耐电压	2000V DC
INSULATION RESISTANCE 绝缘电阻	5000 MEGOHMS MIN.
OPERATING TEMPERATURE 工作温度	-55°C - 105°C
WATER PROOF 防水等级	IP67 (MATED)
FLAMMABILITY 防火等级	UL 94 V-0
DURABILITY 机械寿命	500 CYCLES



PIN CONTACT SIZE 16 (48 PCS)  
 (16号公端子每套48个)  
 RANGE OF THE INSULATION DIAMETER  
 IS 1.8-2.4mm  
 (绝缘皮直径范围是1.8-2.4mm)

THE PART NUMBER OF THE GASKET IS C10-040450-028,  
 WHICH MUST BE PURCHASED SEPARATELY.

1. CONTACT MUST BE PURCHASED SEPARATELY (端子必须单独购买).

SIZE 16 PIN CONTACT P/N (16号公端子料号)		FINISH (表面处理)
APPLICABLE 16-18 AWG 适用电缆	APPLICABLE 20-22 AWG 适用电缆	
C10-731537-161	C10-731538-201	TIN PLATING
C10-731537-162	C10-731538-202	NICKEL PLATING
C10-731537-163	C10-731538-203	GOLD FLASH
C10-731537-164	C10-731538-204	10 μ" GOLD PLATING
C10-731537-165	C10-731538-205	30 μ" GOLD PLATING

NOTES:

THIS DOCUMENT CONTAINS PROPRIETARY INFORMATION AND SUCH INFORMATION MAY NOT BE DISCLOSED TO OTHERS FOR ANY PURPOSE OR USED FOR MANUFACTURING PURPOSES WITHOUT WRITTEN PERMISSION FROM THE AMPHENOL CORP.

N/A	PRO/ENGINEER INFORMATION
NEXT ASSEMBLY	Pro/e Model Used:
METRIC DOCUMENT	UPT00D-24-48P.ASSEM
	Drawing Name:
	10-731729-48P

UNLESS OTHERWISE SPECIFIED	SPECIFICATIONS	POS	QTY	PART NUMBER	DESCRIPTION	NOTE
LINEAR DIMENSIONS ARE IN: MILLIMETERS	MATERIAL SPEC. N/A	APPROVALS		DATE	PARTS LIST	
TOLERANCES: ANGLES= ±2°	PROCESS SPEC. N/A	PREPARED BY	Jerry Pu		AMPHENOL INDUSTRIAL OPERATIONS	
DEFAULT LINEAR TOLERANCES SEE TABLE		ENGINEER IN CHARGE	Jerry Pu	Aug-02-17	Amphenol Technology(Zhuhai)Co.,Ltd	
DIM. & TOL. PER ASME Y14.5M-1994;		DESIGN MANAGER	Ran Xiao		No.63, Xingnan Road, Sanzao Town, Jinwan, Zhuhai, PRC	
DRM PER MIL-DTL-31000;		DESIGN ACTIVITY GROUP	C3		CONNECTOR RECEPTACLE, TYPE UPT00D-24-48P	
OTHER AMPHENOL STANDARDS: 9-9318		THIRD ANGLE PROJECTION			SIZE C	CAGE CODE 77820
LEGENDS: △=FLAG NOTE CALL OUT REFERENCE ONLY		DRAWING SYMBOLS			DOCUMENT NO. 10-731729-48P	REV. PA4
		SCALE: 1.0			SHEET 1 OF 1	

10-731729-48P SHEET 1 OF 1 REV. PA4

10-731729-48P SHEET 1 OF 1 REV. PA4

## X-ON Electronics

Largest Supplier of Electrical and Electronic Components

*Click to view similar products for [Circular MIL Spec Connector](#) category:*

*Click to view products by [Amphenol](#) manufacturer:*

Other Similar products are found below :

[0025-262-542](#) [0025-264-3014](#) [58-570121-04S](#) [0134-202-1200](#) [0134-207-1206](#) [0134-207-1800](#) [0134-207-2207](#) [0134-213-0806](#) [0134-213-1007](#) [0134-213-1009](#) [0134-213-1208](#) [0134-213-1800](#) [0134-213-2209](#) [0025-258-000](#) [015-9516-002](#) [60-042722-19P](#) [0114-201-1278](#) [602GB06EG24-61SN](#) [0134-201-1207](#) [0134-201-1806](#) [0134-201-2006](#) [0134-201-2007](#) [0134-201-2010](#) [0134-202-1400](#) [0134-207-0809](#) [0134-207-1208](#) [0134-207-2009](#) [0134-213-1006](#) [6104-207-2302](#) [6104-208-1902](#) [6131-202-19149P](#) [6131-204-21149P](#) [6131-207-13149P](#) [6131-208-13149P](#) [6131-209-17149P](#) [6131-210-11149P](#) [6131-211-19149P](#) [6131-216-19149P](#) [6131-220-25149P](#) [6131-259-11149P](#) [6131-259-21149P](#) [6131-259-23149P](#) [6131-263-19149P](#) [6131-265-17149P](#) [6131-265-19149P](#) [CS3102A-20-15P](#) [CS3102A-20-15S](#) [CS3102C18-4P-472](#) [CS3106A-20-29P](#) [CS3106A-20-74P](#)