

## USB3AP

Composite USB3.2 Gen 1 Access point



### Description

The rugged USB3.2 Gen1 plastic access point is a rugged USB access point solution designed to be used in any industrial harsh environments.

The Self Closing Cap enclosure protects the USB-A receptacle from splash and dust when the plug or the USB Memory key is unmated.

### Main features

#### Main characteristics:

- Data transmission: USB specification **3.2 Gen 1**
- Data rate: up to **5GB/s** for high speed USB
- **USB-A interface**
- **USB2.0 backward compatible**

#### Environmental protection:

- Sealing level: IP54 when not mated
- Temperature range: - 40°C / + 85°C
- RoHS compliant



### Markets & Applications



Industry



*Applications :*

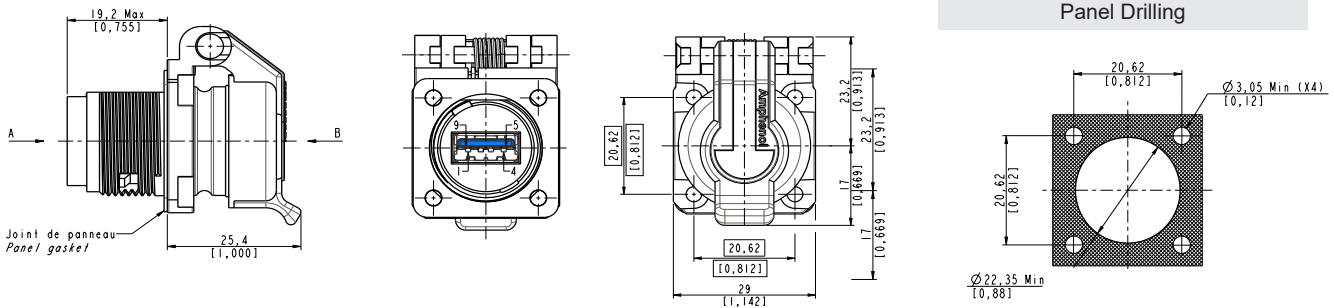
- ▶ Video control
- ▶ Access point
- ▶ CNC machines
- ▶ Industrial proccess control
- ▶ Robotics
- ▶ Telecom equipments
- ▶ Special machines



## Available configurations

### Square flange receptacle – Shell type 2 - 4 mounting holes

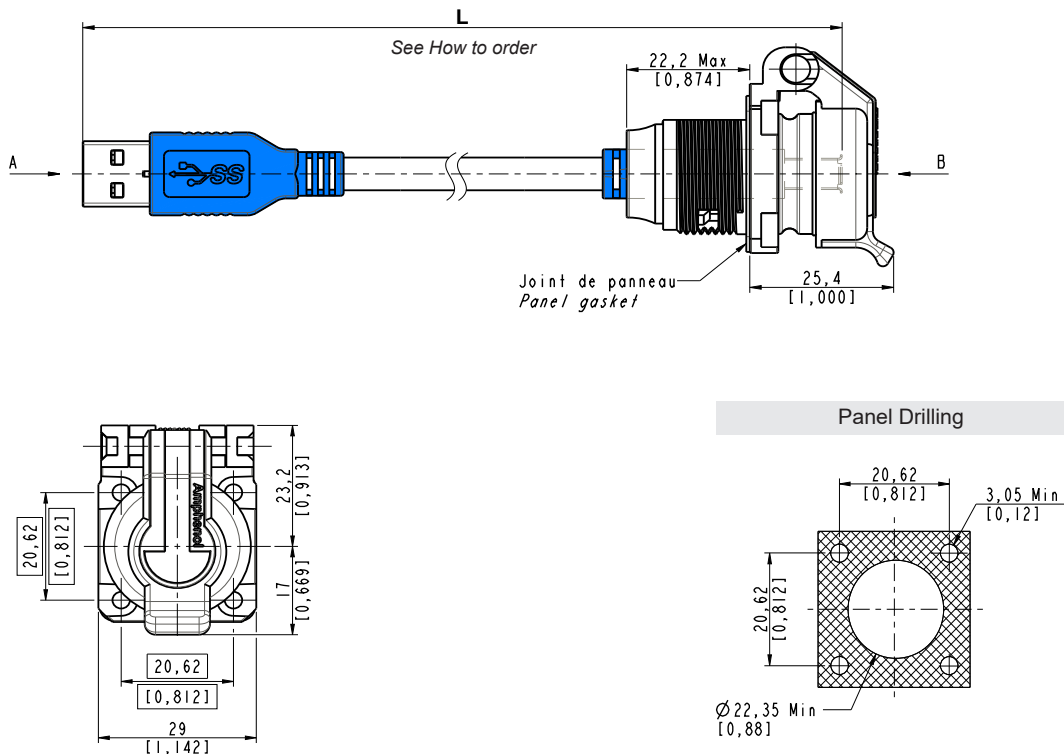
Part number type: **USB3APSCC 2 1**



### Square flange receptacle – Shell type 2 - With cordset - 4 mounting holes

Part number type: **USB3APSCC 2 2 XX A**

**X:** see the How to order to complete your part number

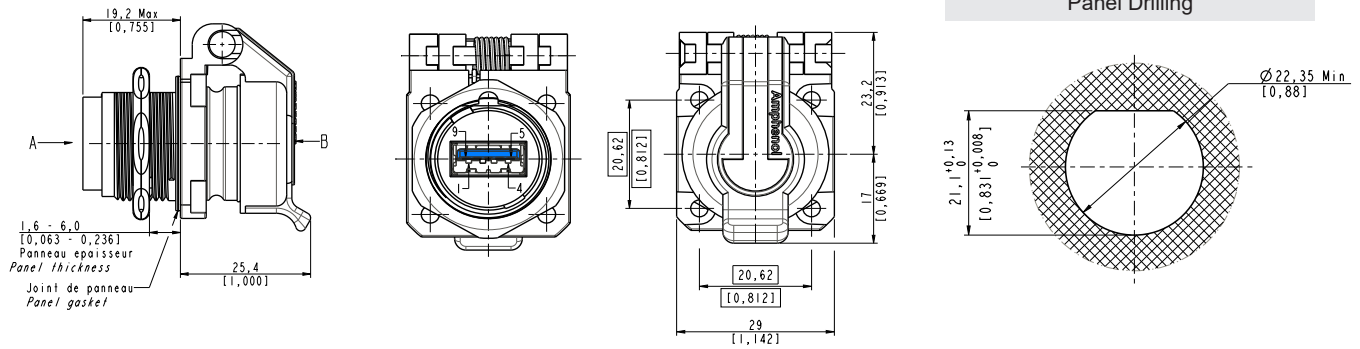




## Available configurations

### Jam nut receptacle – Shell type 7

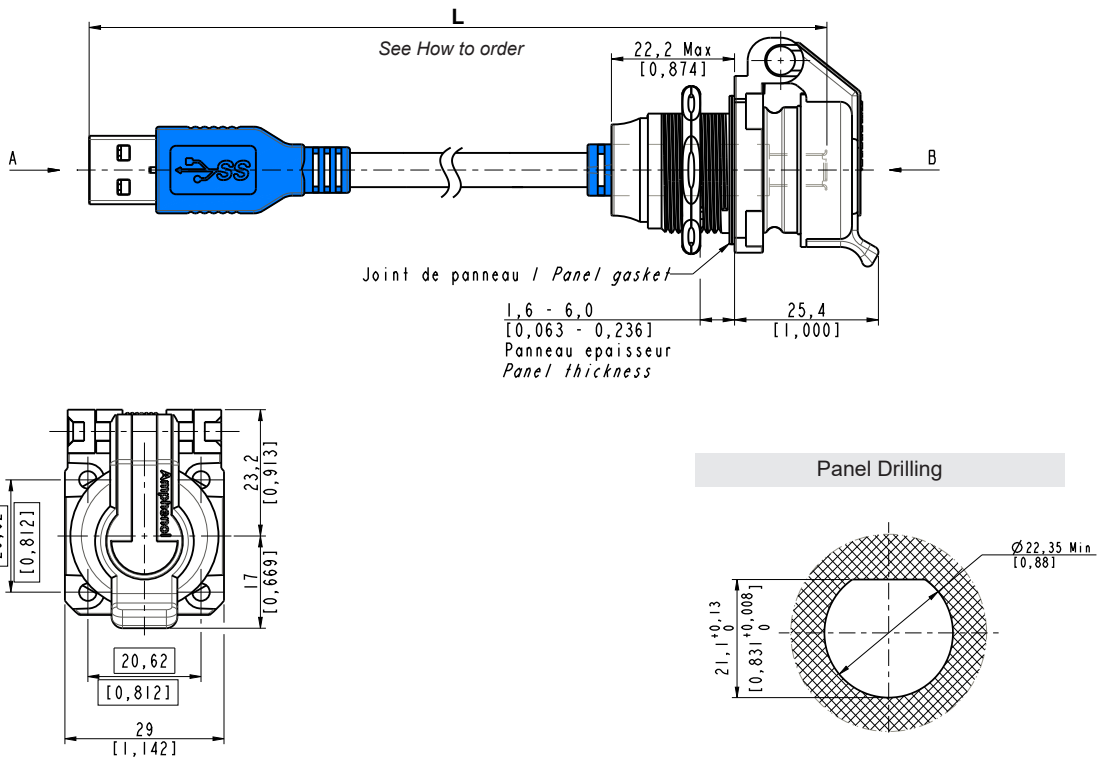
Part number type: **USB3APSCC 7 1**



### Jam nut receptacle – Shell type 7 - With cordset

Part number type: **USB3APSCC 7 2 XX A**

X: see the How to order to complete your part number



## How to order

1.	2.	3.	4.	5.
Series	Shell type	USB output	Cordset length	Cordset termination
USB3APSCC	2	2	15	A

1. Series	
USB3APSCC	USB3 Access Point series

2. Shell type	
2	Square flange receptacle
7	Jam nut receptacle

3. USB output	
1	Female - female coupler
2	Cordset termination

4. Cordset length (only for cordset termination)		
	Meters	Inch
03	0,3 m	11,82
● 05	0,5 m	19,69
● 10	1 m	39,38
15	1,5 m	59,06
18	1,8 m	70,87
● 20	2 m	78,75

5. Cordset termination (only for cordset termination)	
A	USB3 Type-A plug

● Standard cordset configurations available from stock in our distributors network.

### Examples :

Part number	Description
USB3APSCC 7 1	USB3 Access Point, jam nut receptacle, with female-female coupler termination
USB3APSCC 2 2 10 A	USB3 Access Point, square flange receptacle, cordset termination, 1-meter cordset length



## X-ON Electronics

Largest Supplier of Electrical and Electronic Components

*Click to view similar products for [USB Connectors](#) category:*

*Click to view products by [Amphenol](#) manufacturer:*

Other Similar products are found below :

[950](#) [A-USB A-LP-SMT-C](#) [A-USB B-TOP-C](#) [MUSBD11135](#) [17-200721](#) [217450-1](#) [KMBVX-TH-5S-B30](#) [KUSBX-AS2N-W](#) [KUSBX-SMT2AP1S-W30](#) [935](#) [957](#) [30-498-6](#) [SK-60A-2](#) [1734082-1](#) [30-470](#) [30-489](#) [30-541](#) [MIKROE-1451](#) [USBFTVSCCG](#) [1-1734084-2](#) [10135326-001LF](#) [USB3FTV7APEG](#) [4198](#) [1310-1023-02](#) [690-024-633-031](#) [UB-20PMFP-LC7001](#) [17-200011](#) [UB-20AFMM-LL7A01](#) [1040870124](#) [CAP-WCCMLPB1](#) [2274475-3](#) [UB-20BMFA-SL8001](#) [UB-20BFM-SA7A02](#) [UB-20BFM-SA7A05](#) [914-614A2025S10200](#) [MUSBR-AHD2-M41-SK](#) [ZX40-B-5S-1500-STDA\(30\)](#) [GSB3116344HR](#) [USB3FTV2SAZNF459](#) [USBF21GSCC](#) [U221-041N-1WVS62-F5D](#) [HYCW153-USBD05-500B](#) [HYCW219-USBD05-075B](#) [HYCW148-USBD05-117B](#) [HYCW149-USBD05-740B](#) [HYCW204-USBD05-108B](#) [HYCW214-USBA04-113B](#) [HYCW213-USBA04-113B](#) [UB-20AMFM-SL7A01](#) [KMMX-BSMT35S-1-B30TR](#)