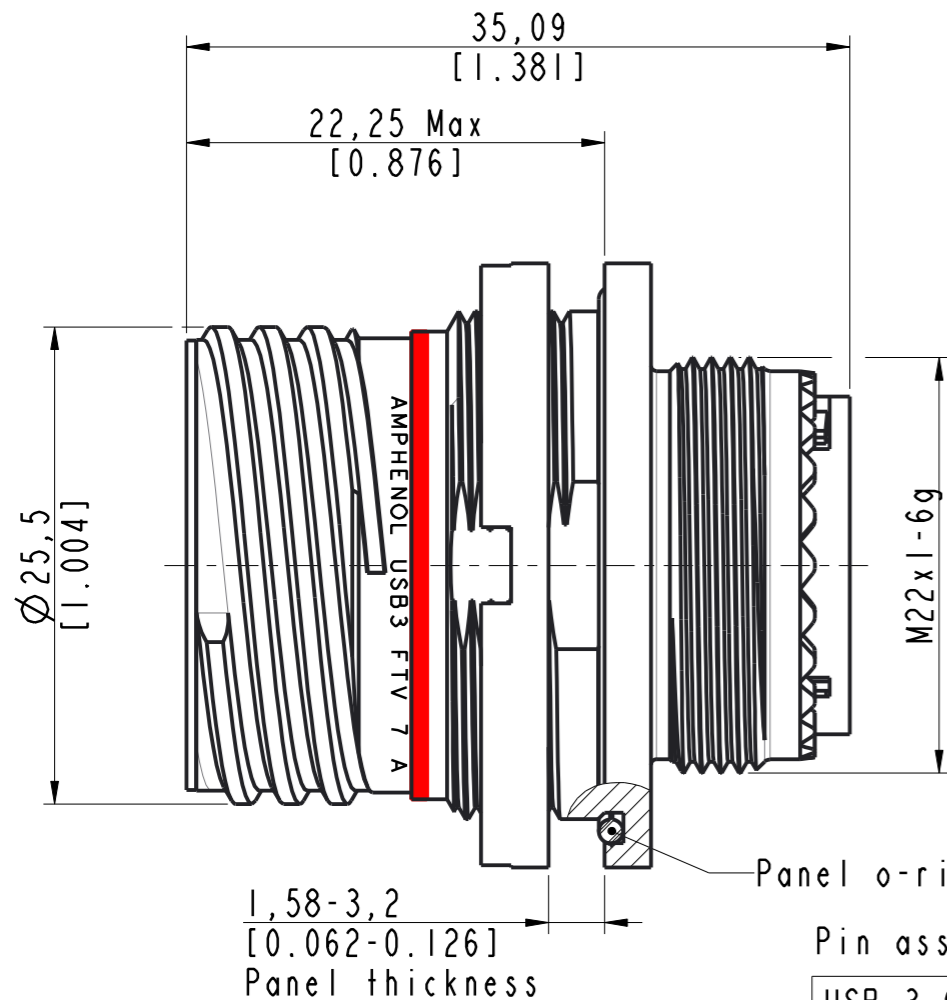
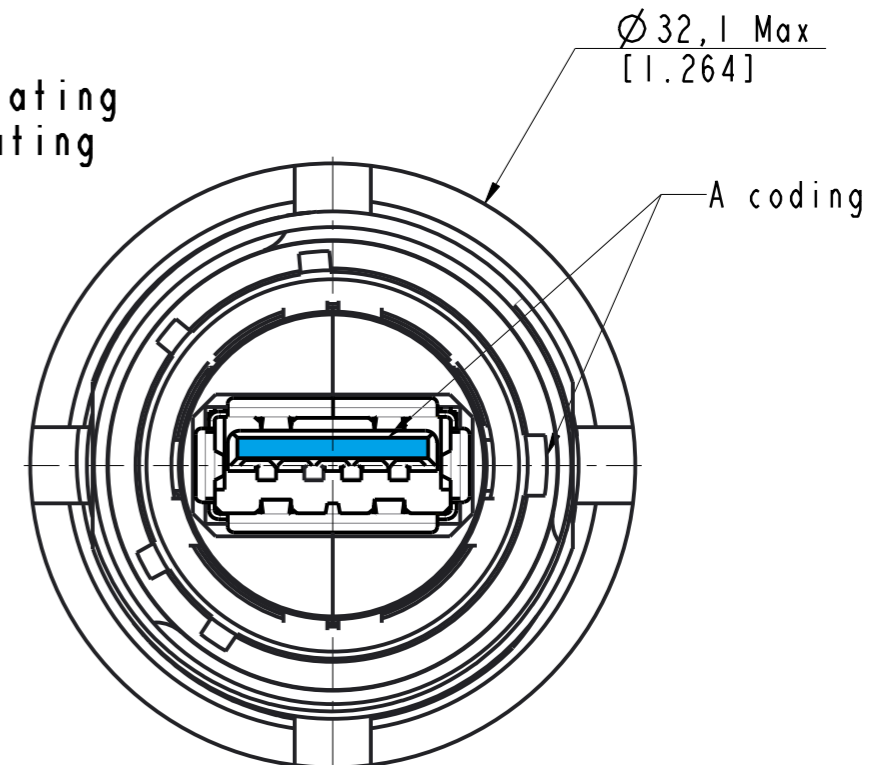


DANS LE BUT CONSTANT D'AMELIORER SES PRODUITS, Amphenol Socapex SE RESERVE LE DROIT D'EN MODIFIER TOUTE COTE OU CARACTERISTIQUE. IMP 036 A

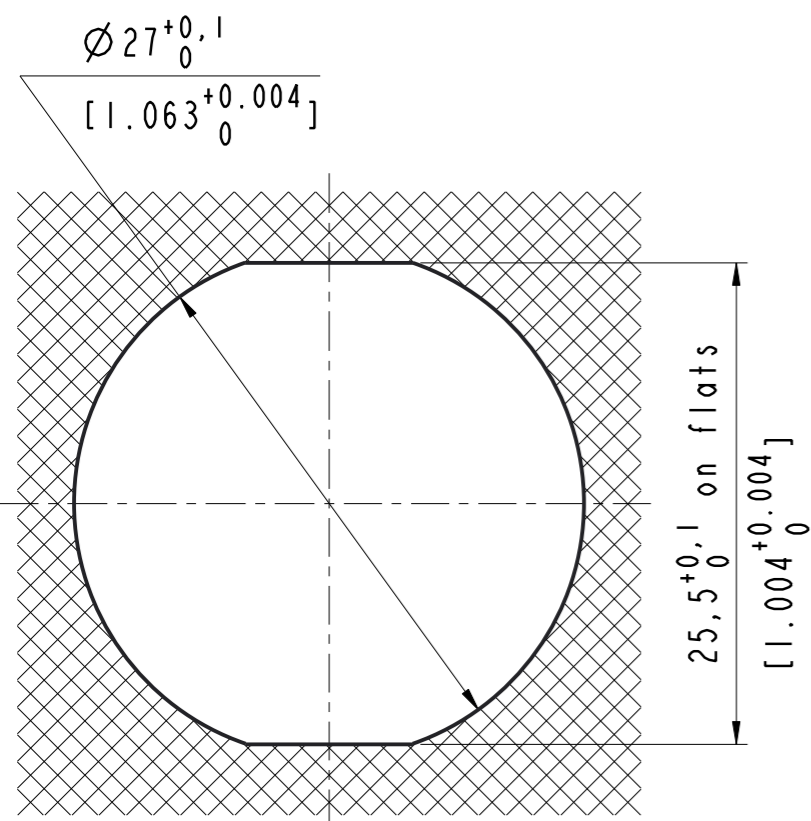


Possible references:  
 USB3 FTV 7 A N F312 Nickel plating  
 USB3 FTV 7 A G F312 Olive drab cadmium plating  
 USB3 FTV 7 A ZN F312 Black zinc nickel plating

- ⚠ For PC to peripheral application use a "CROS" USB3 crossed cord set
- ⚠ For PC to PC application use a "STR" USB3 straight cord set

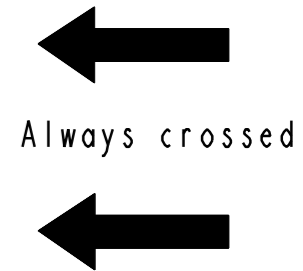


Panel o-ring is delivered with the receptacle  
 1,58-3,2 [0.062-0.126] Panel thickness



Pin assignments:

USB 3.0 Standard A front coupling side connector to USB 3.0 Standard A back side connector					
Pin number	Signal name	Description	Sequence	Pin number	Signal name
1	VBUS	Power	Second	1	VBUS
2	D-	USB 2.0 differential pair	Third	2	D-
3	D+			3	D+
4	GND	Ground for power return	Second	4	GND
5	StdA_SSRX-	Superspeed receiver differential pair	Last	8	StdB_SSTX-
6	StdA_SSRX+			9	StdB_SSTX+
7	GND_DRAIN	Ground for signal return	Last	7	GND_DRAIN
8	StdA_SSTX-	Superspeed transmitter differential pair		5	StdB_SSRX-
9	StdA_SSTX+		6	StdB_SSRX+	
Shell	Shield	Connector metal shell	First	Shell	Shield



Panel drilling

USB3 FTV 7 A X F312

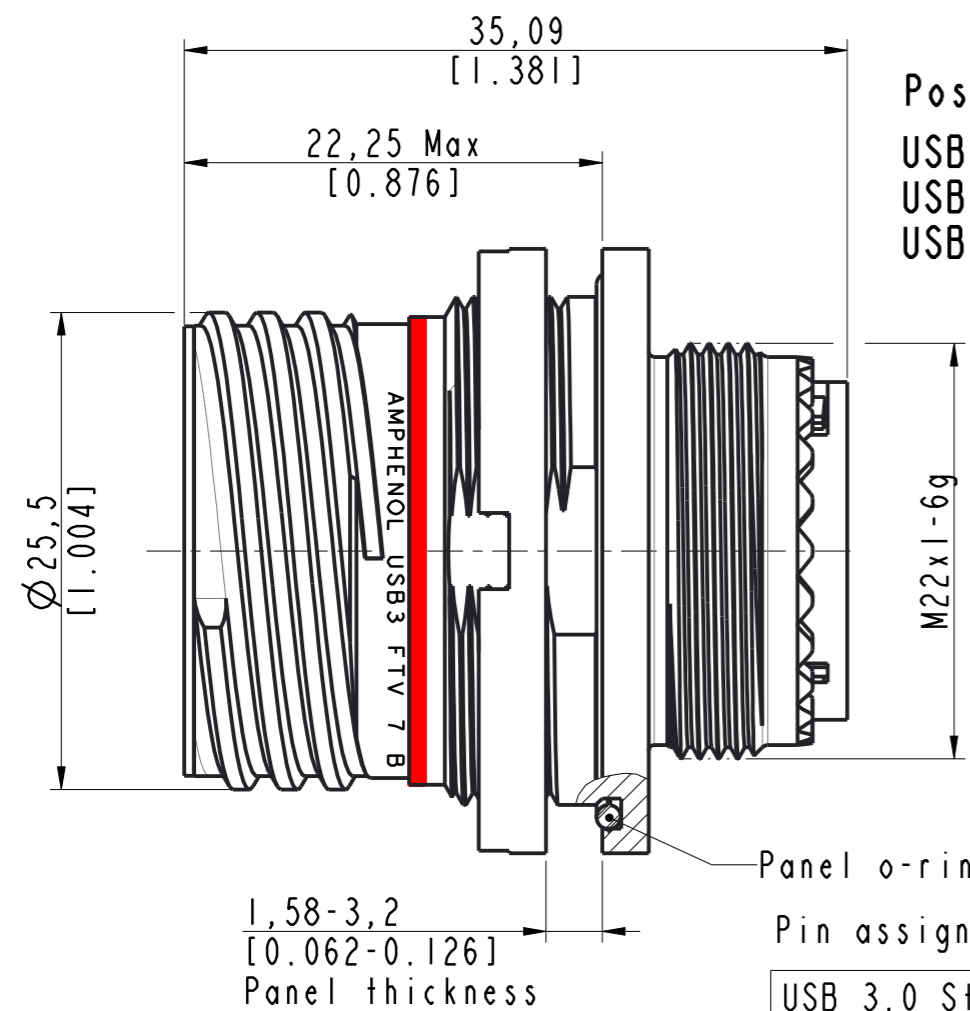
Reduced Flange

USB3.0 Standard A Receptacle

Customer Approval \_\_\_\_\_

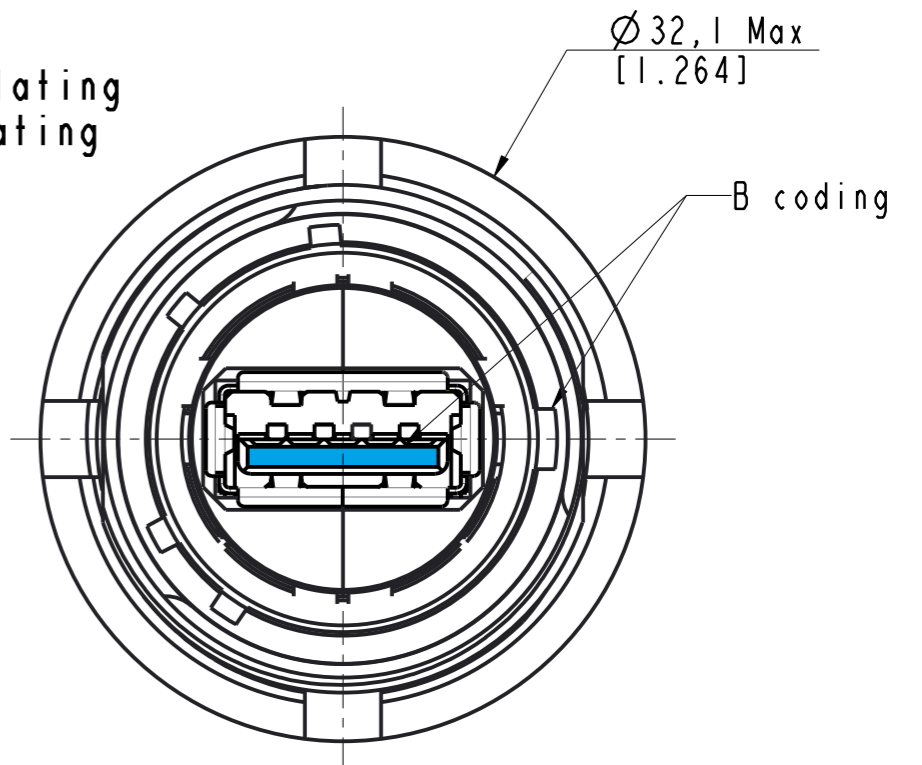
MODIFICATIONS	A	Plan original	ECHELLE	Amphenol Socapex	DESSIN: M.Peters	LE: 11/01/17
			2,5		TECHNIQUE: L.Guyomar	LE: 11/01/17
					BP 29 - 74311 THYEZ CEDEX	A
					191-PLC-742-00 1/2	

DANS LE BUT CONSTANT D'AMELIORER SES PRODUITS, Amphenol Socapex SE RESERVE LE DROIT D'EN MODIFIER TOUTE COTE OU CARACTERISTIQUE. IMP 036 A



Possible references:  
 USB3 FTV 7 B N F312 Nickel plating  
 USB3 FTV 7 B G F312 Olive drab cadmium plating  
 USB3 FTV 7 B ZN F312 Black zinc nickel plating

- ⚠ For PC to peripheral application use a "CROS" USB3 crossed cord set
- ⚠ For PC to PC application use a "STR" USB3 straight cord set



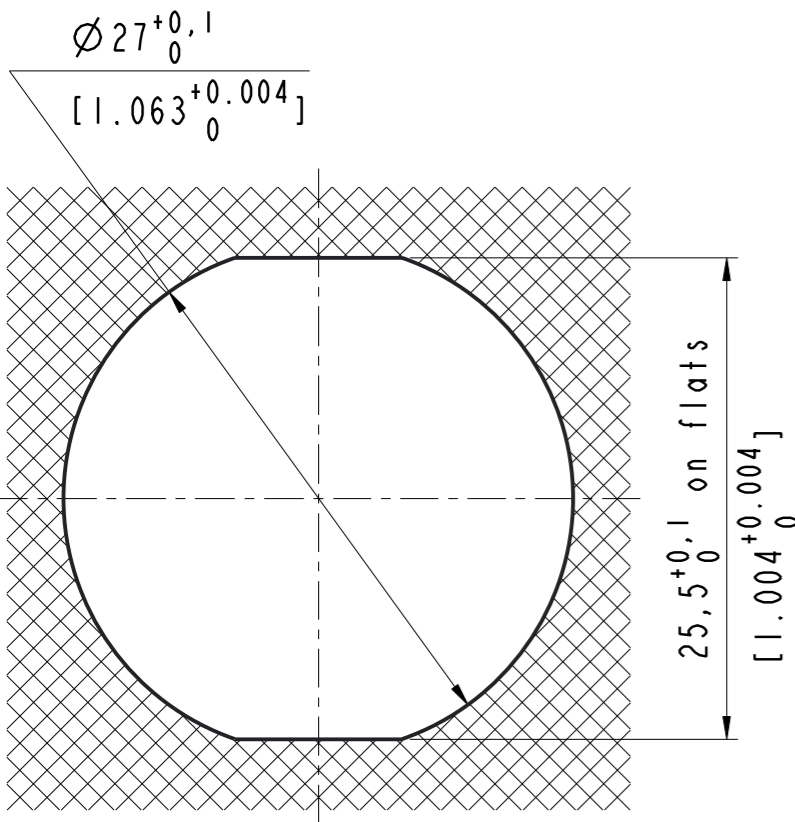
Panel o-ring is delivered with the receptacle

Pin assignments:

USB 3.0 Standard A front coupling side connector to USB 3.0 Standard A back side connector

Pin number	Signal name	Description	Sequence	Pin number	Signal name
1	VBUS	Power	Second	1	VBUS
2	D-	USB 2.0 differential pair	Third	2	D-
3	D+			3	D+
4	GND	Ground for power return	Second	4	GND
5	StdA_SSRX-	Superspeed receiver differential pair	Last	8	StdB_SSTX-
6	StdA_SSRX+			9	StdB_SSTX+
7	GND_DRAIN	Ground for signal return	Last	7	GND_DRAIN
8	StdA_SSTX-	Superspeed transmitter differential pair	Last	5	StdB_SSRX-
9	StdA_SSTX+			6	StdB_SSRX+
Shell	Shield	Connector metal shell	First	Shell	Shield

← Always crossed ←



Panel drilling

USB3 FTV 7 B X F312 Reduced Flange

USB3.0 Standard A Receptacle

Customer Approval \_\_\_\_\_

MODIFICATIONS	A	Plan original	ECHELLE
			2,5

Amphenol Socapex  
 BP 29 - 74311 THYEZ CEDEX

DESSIN: M.Peters	LE: 11/01/17
TECHNIQUE: L.Guyomar	LE: 11/01/17
A	
191-PLC-742-00	2/2

## X-ON Electronics

Largest Supplier of Electrical and Electronic Components

*Click to view similar products for [USB Connectors](#) category:*

*Click to view products by [Amphenol](#) manufacturer:*

Other Similar products are found below :

[65-647-8-BK-BU](#) [950](#) [E8144-B01021-L](#) [A-USB A-LP-SMT-C](#) [A-USB B-TOP-C](#) [MUSBA511N5](#) [MUSBD11135](#) [217450-1](#) [CA 6 W LD](#)  
[KMBVX-TH-5S-B30](#) [896-30-004-00-000000](#) [KUSBVX-BS1N-W30](#) [KUSBX-AP-KIT-SCBLK](#) [KUSBX-AS2N-W](#) [KUSBX-SMT2AP1S-W](#)  
[KUSBX-SMT2AP1S-W30](#) [935](#) [957](#) [30-498-6](#) [17-210051](#) [1734082-1](#) [30-1574](#) [30-470](#) [30-489](#) [30-541](#) [30-572-3](#) [MAB 8 SN V](#) [A-USB A-](#)  
[2P-C](#) [MIKROE-1451](#) [USBFTV2PEM2G](#) [USBFTVC6ZN](#) [KUSBX-AS2N-W30](#) [KUSBX-SLAS1N-W](#) [KUSBX-SMT-AS1N-W30](#) [4689-1](#) [1-](#)  
[1734084-2](#) [E8110-001-01](#) [MUSBA81130](#) [33UBARS1-04SW11](#) [33UBAR-04SW11](#) [USBF21ZNSCC](#) [USBBFTV6ZC](#) [10135326-001LF](#)  
[M9177/3-1](#) [925](#) [4198](#) [690-024-633-031](#) [KUSBEX-BSFS1N-W](#) [USBFTVC6MRG](#) [UA-20BMFA-SL8001](#)