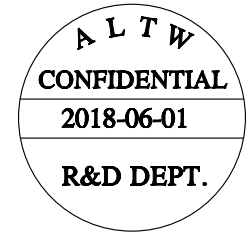
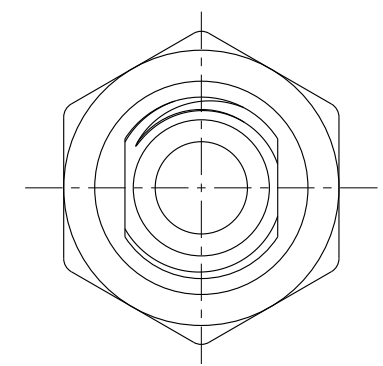
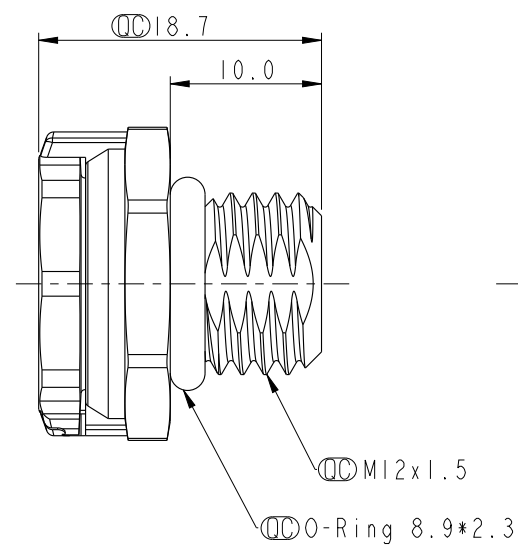
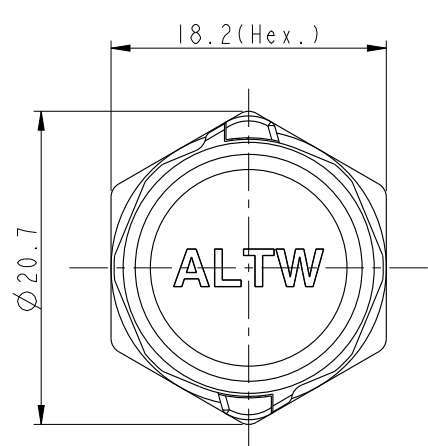
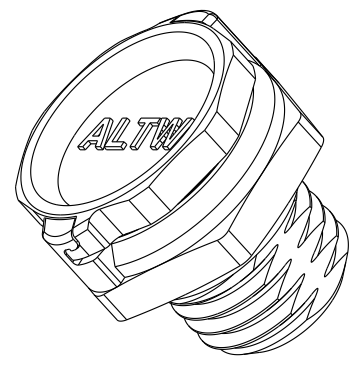


THIS DOCUMENT IS SUBJECT TO CHANGE WITHOUT NOTICE. IT IS CONFIDENTIAL AND A PROPERTY OF AMPHENOL LTW. DISCLOSURE TO THIRD PARTY HAS TO BE AUTHORIZED BY AMPHENOL LTW.

REV.	ECN NO.	DATE	SIGN	DESCRIPTION
A	Initial Release	2018-02-28	Ethan	
B	LEN1860001	2018-06-01	Ethan	Update Note IP68 Spec



F
E
D
C
B
A

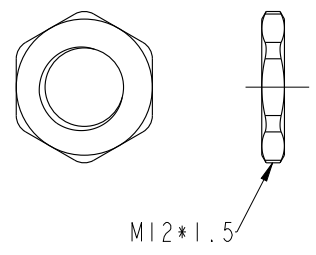
UNIT: mm TOLERANCE .X ±0.25 .XX ±0.1 .XXX ±0.05 ANGLES ±1°			TITLE VENT Metal-type			ITEM NO. VENT-MSINME-08001		DRAWN BY Ethan		DATE 2018-06-01		
	SCALE 2:1		SIZE A4		SHEET 1 OF 2		DWG NO. VENT-MSINME-08001		CHECKED BY Feng Li		DATE 2018-06-01	
	REV. B		WC-REV. A.16		(CC): Inspection item		CUSTOMER ALTW		APPROVED BY Jerry		DATE 2018-06-01	

Amphenol LTW
安費諾亮泰企業股份有限公司

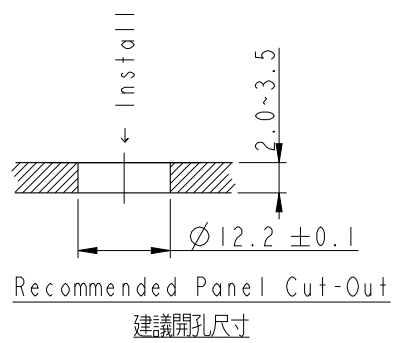
THIS DOCUMENT IS SUBJECT TO CHANGE WITHOUT NOTICE. IT IS CONFIDENTIAL AND A PROPERTY OF Amphenol LTW. DISCLOSURE TO THIRD PARTY HAS TO BE AUTHORIZED BY Amphenol LTW.

REV.	ECN NO.	DATE	SIGN	DESCRIPTION

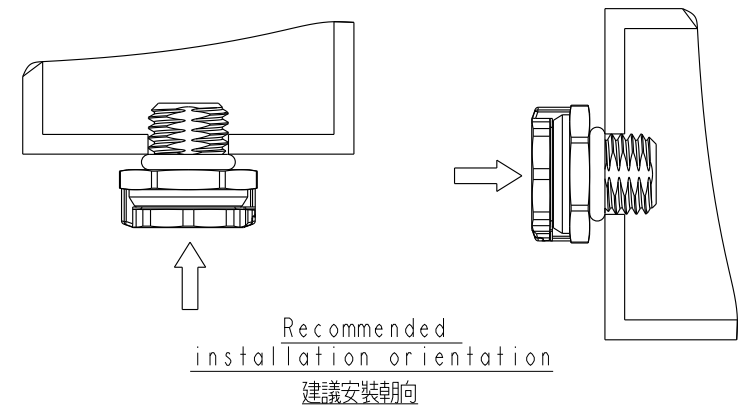
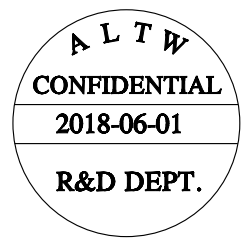
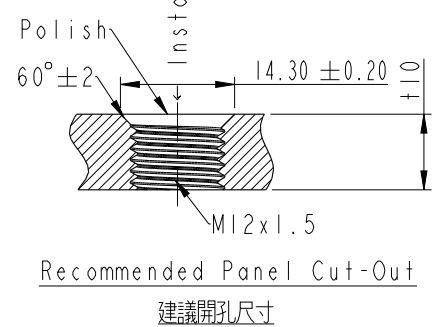
Screw Nut: Optional part
 No.: APTM-AMBPC012-001
 螺母作為選配件



Through-hole



Threaded-hole



- Note:
- * CC Important Dimension.
 - * B Waterproof Rate: IP68 (Immersion for 60 minutes at a depth of 2 meter), IP69K
 - * Housing: Zinc Alloy, Nickel Plated
 - * Cap: Zinc Alloy, Nickel Plated
 - * Membrane: ePTFE, Oleophobic
 - * O-Ring: Silicone, Dark Gray
 - * Air Permeability: >1760ml/min @70mbar

UNIT: mm		
TOLERANCE	.X ± 0.25	
	.XX ± 0.1	
	.XXX ± 0.05	
ANGLES	$\pm 1^\circ$	

TITLE VENT Metal-type			
SCALE 2:1	SIZE A4	SHEET 2 OF 2	
REV. B	WC-REV. A.16	CC : Inspection item	

Amphenol LTW
 安費諾亮泰企業股份有限公司

ITEM NO. VENT-MSINME-08001	DRAWN BY Ethan	DATE 2018-06-01
DWG NO. VENT-MSINME-08001	CHECKED BY Feng Li	DATE 2018-06-01
CUSTOMER ALTW	APPROVED BY Jerry	DATE 2018-06-01

X-ON Electronics

Largest Supplier of Electrical and Electronic Components

Click to view similar products for [Circular Metric Connectors](#) category:

Click to view products by [Amphenol](#) manufacturer:

Other Similar products are found below :

[600X518037X](#) [6STD15PCR99B70A](#) [8R4000A16M020](#) [8R5000A16M005](#) [1200910002](#) [1203580030](#) [1200910008](#) [1200910011](#) [1300140094](#)
[130203-0054](#) [1300140026](#) [1300150099](#) [1-3637-600-5205](#) [1612618](#) [21036836414](#) [8R4006A16M010](#) [1R3006A20M005](#) [41-40011](#) [42-00006](#)
[42-01015](#) [4-22279-4](#) [4-22281-1](#) [4-22284-9](#) [43-00113](#) [43-01203](#) [41-40013](#) [42-00008](#) [43-00343](#) [43-01026](#) [43-01162](#) [43-01173](#) [43-10000](#)
[XS3P-M421-2](#) [600X518050X](#) [8R5006A16M020](#) [8R5006A16M005](#) [8R4000A16M010](#) [6-22279-3](#) [1605332](#) [N03FA03144](#) [1300140077](#) [43-](#)
[16213](#) [43-01338](#) [XS2RD4265](#) [XS2R-D426-1](#) [XS8A-0441](#) [859RD04-103R004](#) [860RD04-113R004](#) [860RD04-213R004](#) [1-213245-2](#)