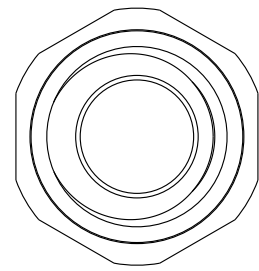
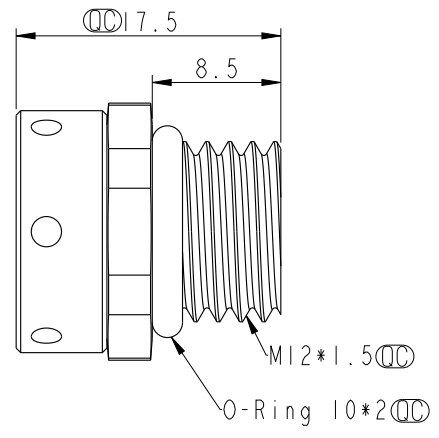
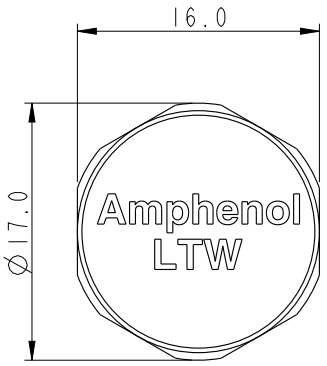
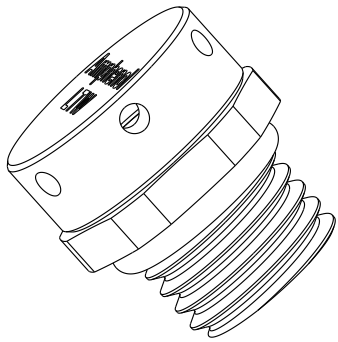


THIS DOCUMENT IS SUBJECT TO CHANGE WITHOUT NOTICE. IT IS CONFIDENTIAL AND A PROPERTY OF Amphenol LTW. DISCLOSURE TO THIRD PARTY HAS TO BE AUTHORIZED BY Amphenol LTW.

| REV. | ECN NO. | DATE | SIGN | DESCRIPTION |
|------|-----------------|------------|-------|-------------|
| A | Initial Release | 2018/03/24 | Ethan | |
| | | | | |
| | | | | |

ALTW
CONFIDENTIAL
2018-03-24
R&D DEPT.



| | | |
|-----------|-------|--|
| UNIT: mm | | |
| TOLERANCE | ±0.25 | |
| .X | ±0.1 | |
| .XX | ±0.05 | |
| .XXX | ±0.05 | |
| ANGLES | ±1° | |

| | | |
|-----------------------------|----------------|---------------------|
| TITLE Metal M12*1.5 VENT | | |
| SCALE 2:1 | SIZE A4 | SHEET 1 OF 2 |
| REV. A | WC-REV. A.6 | QC: Inspection item |

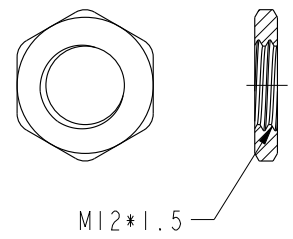
Amphenol LTW
安費諾亮泰企業股份有限公司

| | | |
|-------------------------------|-----------------------|--------------------|
| ITEM NO. VENT-MSINMS-08001 | DRAWN BY Ethan | DATE 2018-03-24 |
| DWG NO. VENT-MSINMS-08001 | CHECKED BY Feng-li | DATE 2018-03-24 |
| CUSTOMER ALTW | APPROVED BY Jerry | DATE 2018-03-24 |

THIS DOCUMENT IS SUBJECT TO CHANGE WITHOUT NOTICE. IT IS CONFIDENTIAL AND A PROPERTY OF Amphenol LTW. DISCLOSURE TO THIRD PARTY HAS TO BE AUTHORIZED BY Amphenol LTW.

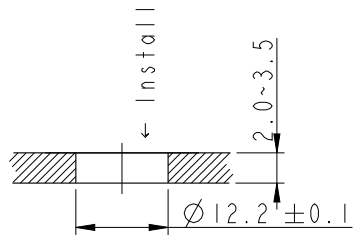
| REV. | ECN NO. | DATE | SIGN | DESCRIPTION |
|------|---------|------|------|-------------|
| | | | | |
| | | | | |
| | | | | |

Screw Nut: Optional part
 No.: APTM-AMBPC012-001
 鐵件螺母作為選配件



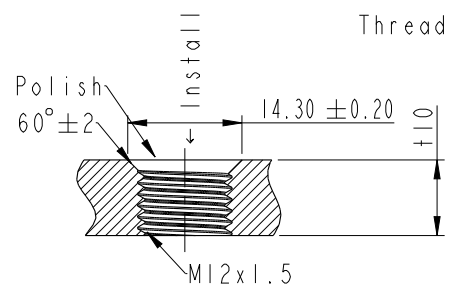
M12*1.5

Through-hole

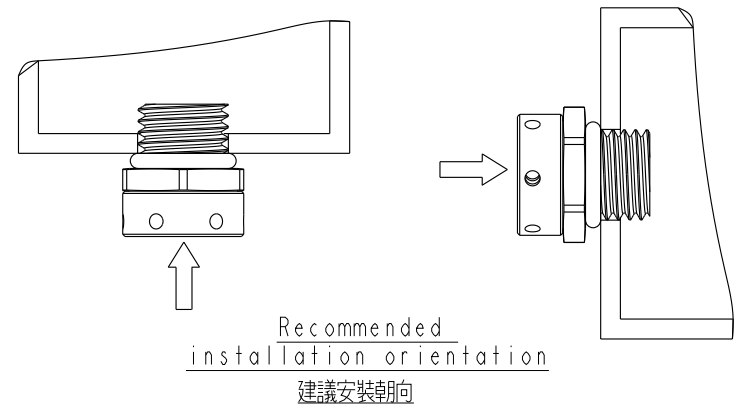


Recommended Panel Cut-Out
 建議開孔尺寸

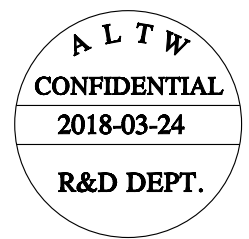
Threaded-hole



Recommended Panel Cut-Out
 建議開孔尺寸



Recommended
 installation orientation
 建議安裝朝向



- Note:
- * \varnothing Important Dimension.
 - * Waterproof Rate: IP68 (Immersion for 60 minutes at a depth of 2 meter), IP69K
 - * Housing: SUS316L
 - * Cap: SUS316L
 - * Membrane: ePTFE, Oleophobic
 - * O-Ring: Silicone, 94V-0
 - * Air Permeability: >1600ml/min @70mbar

| | | | |
|---|----------------|---------------------------------|-----------------------------|
| UNIT: mm | | | TITLE Metal M12*1.5 VENT |
| TOLERANCE .X ±0.25 .XX ±0.1 .XXX ±0.05 ANGLES ±1° | SCALE 2:1 | SIZE A4 | SHEET 2 OF 2 |
| REV. A | WC-REV. A.6 | \varnothing : Inspection item | |

Amphenol LTW
 安費諾亮泰企業股份有限公司

| | | |
|-------------------------------|-----------------------|--------------------|
| ITEM NO. VENT-MSINMS-08001 | DRAWN BY Ethan | DATE 2018-03-24 |
| DWG NO. VENT-MSINMS-08001 | CHECKED BY Feng-li | DATE 2018-03-24 |
| CUSTOMER ALTW | APPROVED BY Jerry | DATE 2018-03-24 |

X-ON Electronics

Largest Supplier of Electrical and Electronic Components

Click to view similar products for [Circular Metric Connectors](#) category:

Click to view products by [Amphenol](#) manufacturer:

Other Similar products are found below :

[600X518037X](#) [6STD15PCR99B70A](#) [8R4000A16M020](#) [8R5000A16M005](#) [1200910002](#) [1203580030](#) [1200910008](#) [1200910011](#) [1300140094](#)
[130203-0054](#) [1300140026](#) [1300150099](#) [1-3637-600-5205](#) [1612618](#) [21036836414](#) [8R4006A16M010](#) [1R3006A20M005](#) [41-40011](#) [42-00006](#)
[42-01015](#) [4-22279-4](#) [4-22281-1](#) [4-22284-9](#) [43-00113](#) [43-01203](#) [41-40013](#) [42-00008](#) [43-00343](#) [43-01026](#) [43-01162](#) [43-01173](#) [43-10000](#)
[XS3P-M421-2](#) [600X518050X](#) [8R5006A16M020](#) [8R5006A16M005](#) [8R4000A16M010](#) [6-22279-3](#) [1605332](#) [N03FA03144](#) [1300140077](#) [43-](#)
[16213](#) [43-01338](#) [XS2RD4265](#) [XS2R-D426-1](#) [XS8A-0441](#) [859RD04-103R004](#) [860RD04-113R004](#) [860RD04-213R004](#) [1-213245-2](#)