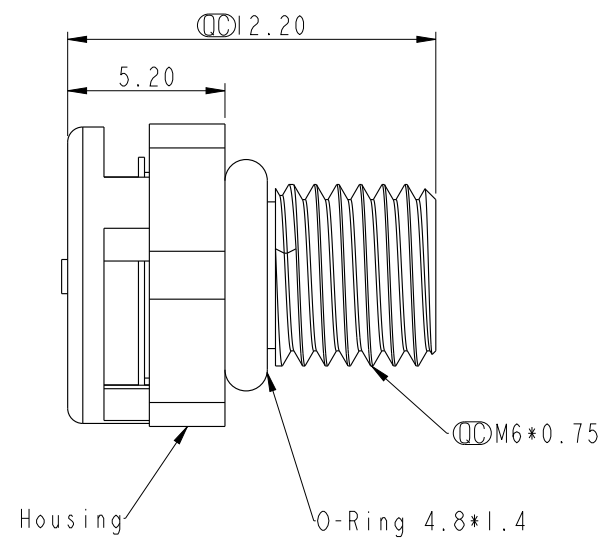
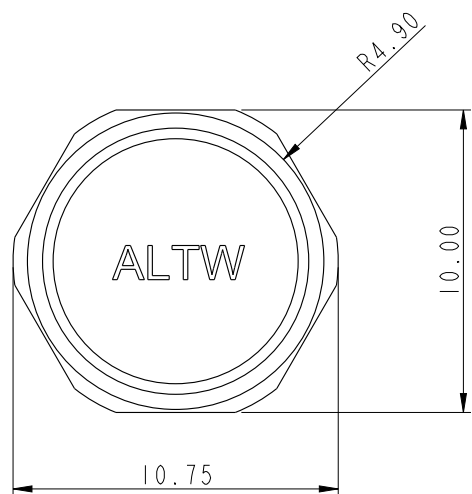


THIS DOCUMENT IS SUBJECT TO CHANGE WITHOUT NOTICE. IT IS CONFIDENTIAL AND A PROPERTY OF Amphenol LTW. DISCLOSURE TO THIRD PARTY HAS TO BE AUTHORIZED BY Amphenol LTW.

REV.	DESCRIPTION
A	New Item
B	Update Drawing

**ALTW**  
**CONFIDENTIAL**  
 2018-11-16  
**R&D DEPT.**



Without Nut

成品料號 (Product no.)	透氣量 ml/min@70mbar	主體顏色 (Body Colour)	O-Ring Color	疏油性 (Oleophobic)	Waterproof Rate
VENT-PS2NBK-08001	>300	Black	Red	Y	IP68/IP66
VENT-PS2NGY-08001	>300	Gray	Red	Y	IP68/IP66

UNIT : mm			TITLE M6*0.75 VENT		
TOLERANCE	±0.25		SCALE	SIZE	SHEET
.X	±0.1		4:1	A4	1 OF 2
.XX	±0.05		REV.	WC-REV.	
.XXX	±1*		B	A.5	
ANGLES					

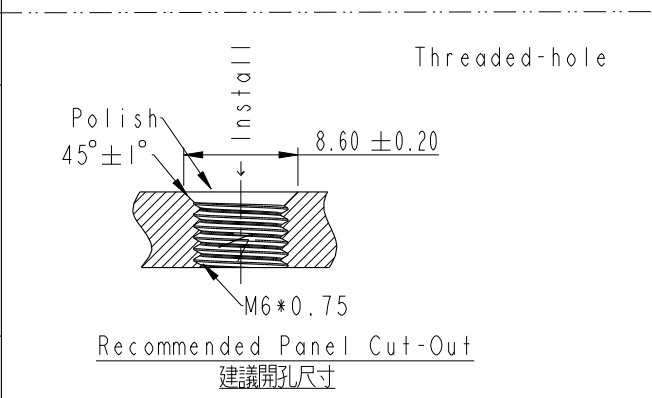
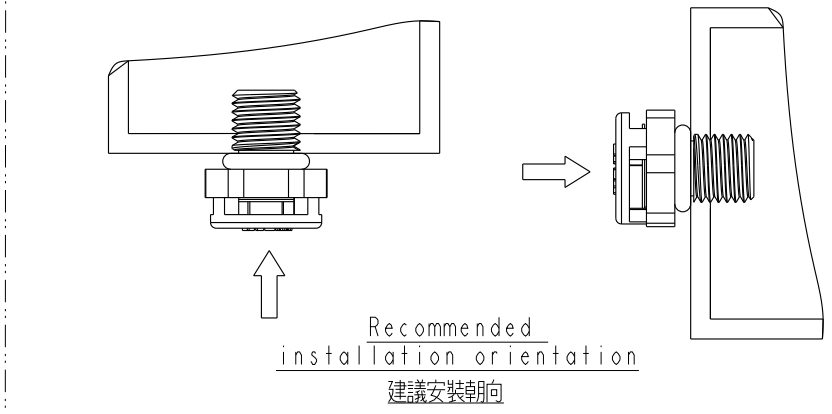
**Amphenol LTW**  
**安費諾亮泰企業股份有限公司**

ITEM NO	VENT-PS2XXX-XXXXX	DRAWN BY	Xiaofeng	DATE	2018/11/16
DWG NO	VENT-PS2XXX-XXXXX	CHECKED BY	Mafei	DATE	2018/11/16
CUSTOMER	ALTW	APPROVED BY	Jerry	DATE	2018/11/16

THIS DOCUMENT IS SUBJECT TO CHANGE WITHOUT NOTICE. IT IS CONFIDENTIAL AND A PROPERTY OF Amphenol LTW. DISCLOSURE TO THIRD PARTY HAS TO BE AUTHORIZED BY Amphenol LTW.

REV.	DESCRIPTION
A	New Item
B	Update Drawing

**ALTW**  
**CONFIDENTIAL**  
 2018-11-16  
**R&D DEPT.**



- Note:
- \*  $\varnothing$  Important Dimension.
  - \* Membrane: ePTFE
  - \* Body: Thermoplastic, 94V-0, UV Resistance
  - \* O-Ring: Silicone, 94V-0
  - \* Recommended Torque: 2.0~4.0 Kgf.cm

UNIT: mm   
 TOLERANCE

TITLE M6*0.75 VENT			
SCALE 4:1	SIZE A4	SHEET 2 OF 2	
REV. B	WC-REV. A.5	$\varnothing$ : Inspection item	

**Amphenol LTW**  
**安費諾亮泰企業股份有限公司**

ITEM NO VENT-PS2XXX-XXXXX	DRAWN BY Xiaofeng	DATE 2018/11/16
DWG NO VENT-PS2XXX-XXXXX	CHECKED BY Mafei	DATE 2018/11/16
CUSTOMER LATW	APPROVED BY Jerry	DATE 2018/11/16

## X-ON Electronics

Largest Supplier of Electrical and Electronic Components

*Click to view similar products for [Circular Metric Connectors](#) category:*

*Click to view products by [Amphenol](#) manufacturer:*

Other Similar products are found below :

[600X518037X](#) [6STD15PCR99B70A](#) [8R4000A16M020](#) [8R5000A16M005](#) [1200910002](#) [1203580030](#) [1200910008](#) [1200910011](#) [1300140094](#)  
[130203-0054](#) [1300140026](#) [1300150099](#) [1-3637-600-5205](#) [1612618](#) [21036836414](#) [8R4006A16M010](#) [1R3006A20M005](#) [41-40011](#) [42-00006](#)  
[42-01015](#) [4-22279-4](#) [4-22281-1](#) [4-22284-9](#) [43-00113](#) [43-01203](#) [41-40013](#) [42-00008](#) [43-00343](#) [43-01026](#) [43-01162](#) [43-01173](#) [43-10000](#)  
[XS3P-M421-2](#) [600X518050X](#) [8R5006A16M020](#) [8R5006A16M005](#) [8R4000A16M010](#) [6-22279-3](#) [1605332](#) [N03FA03144](#) [1300140077](#) [43-](#)  
[16213](#) [43-01338](#) [XS2RD4265](#) [XS2R-D426-1](#) [XS8A-0441](#) [859RD04-103R004](#) [860RD04-113R004](#) [860RD04-213R004](#) [1-213245-2](#)