

RoHS Compliant

REV	SIGN	DATE	DESCRIPTION	APPROVER
B		2020.11.11	The first release	Guoxue
C	△	2021.01.26	Add TUV certification	Rhine

THIS IS CAD DRAWING, DO NOT REVISE MANUALLY!!!

DIMENSION

DIM.L	NX5.0
DIM.B	(N-1)X5.0

N=Number of poles

Poles	Dim.L Tolerance
2p-6p	±0.15
7p-12p	±0.25
13p-18p	±0.35
19p-24p	±0.40

Material:

- Item ① Insulator body:Thermoplastic (UL 94V-0)
- Item ② Terminal body(house): Brass ,Ni plated
- Item ③ Contacts:Brass ,Tin plated
- Item ④ Terminal screw: Steel Zinc plating"-slot type

△ Electrical cULus TUV

- Voltage rating: 300VAC 250VAC
- Current rating: 16A 17.5A
- Wire range: 0.2-1.5mm²
- Solid wire(AWG): 12-28
- Stranded wire(AWG): 12-28
- Torque: 3.5Lb-in. 0.5N.m
- Screw: M3
- Wire strip length: 6-7mm
- Withstanding Voltage: 1.6KV 2.0KV
- Operating temperature: -40°C to +115°C
- Wave soldering temperature: 260°C±5°C/5 Sec
- Safety Approval: cULus △
- Critical dimension: ▲

● Reference dimension: (×)The dimensions of pitch are just for reference,take the actual assembly result as a judgment when inserting the terminal block into the PCB hole.



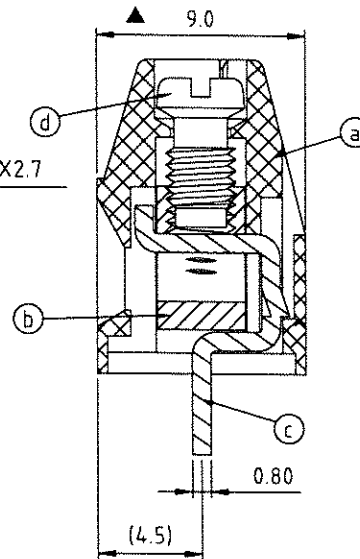
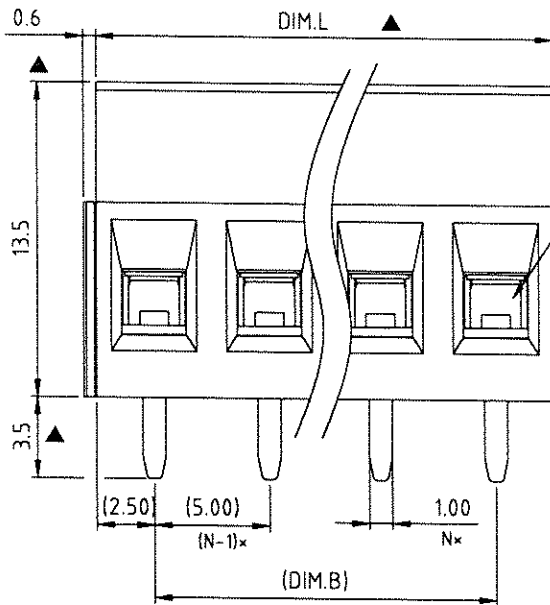
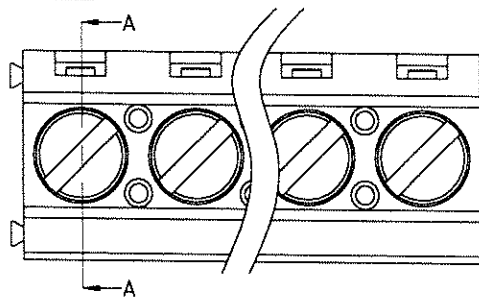
VI xx 01 x 5 xxxx G

RoHS compliant (lead=4%) In copper Alloy

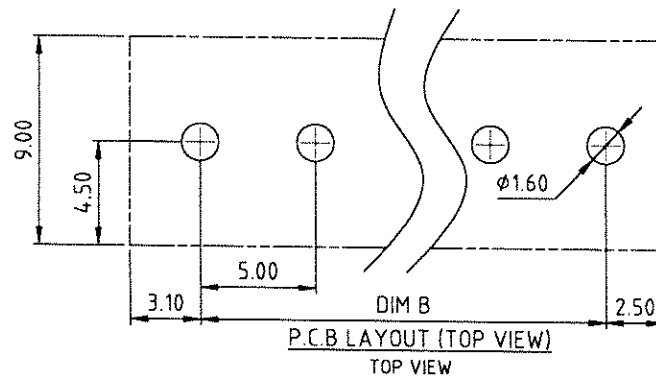
0000:"@ "Logo (Standard)
000A:"ANYTEK"Logo
Any special item by customer request, please contact sales department.

0 Black (RAL9005)
2 Red (RAL3001/D)
3 Orange(RAL2011/P)
4 Yellow(RAL1018/A)
5 Green(RAL6018/T)
6 Blue (RAL5015/A)
8 Grey(RAL7035/D)
C Green(RAL6018/U)

- 02 2 POLES
- 03 3 POLES
-
- 24 24 POLES



SECTION A-A



P.C.B LAYOUT (TOP VIEW)
TOP VIEW

Amphenol				CUSTOMER COPY	
ANYTEK				ALL RIGHTS RESERVED. REPRODUCTION OR ISSUE TO THIRD PARTIES IN ANY FORM WHATSOEVER IS NOT PERMITTED WITHOUT WRITTEN AUTHORITY FROM THE PROPRIETOR. PROPERTY OF ANYTEK TECHNOLOGY CO., LTD	
TITLE	VI 5.0 SERIES Solid block 180° wire inlet (without cover)---have Probe hole				
PART NO.	VIxx01x5xxxxG	DWG NO.	8VI0434		
APPROVED	CHECKED	DESIGNED	DRAWN	CUST NO.	Tolerance
		Rhine 2021.01.26	Rhine 2021.01.26		X. ±0.50 X.X ±0.30 X.XX ±0.10 X° ±1°
SHEET: 01/01				UNIT: mm	SCALE: NONE
				REV.: C	

12/03/2021

X-ON Electronics

Largest Supplier of Electrical and Electronic Components

Click to view similar products for [Circular MIL Spec Connector](#) category:

Click to view products by [Amphenol](#) manufacturer:

Other Similar products are found below :

[89075GULPR](#) [0025-262-542](#) [0025-263-3014](#) [0025-264-3014](#) [0031-065-002](#) [0031-071-002](#) [0134-201-1007](#) [0134-202-0800](#) [0134-202-1200](#)
[0134-202-2407](#) [0134-207-1206](#) [0134-207-1800](#) [0134-207-2207](#) [0134-213-0806](#) [0134-213-1007](#) [0134-213-1009](#) [0134-213-1200](#) [0134-213-1208](#) [0134-213-1800](#) [0134-213-2209](#) [0025-258-000](#) [0025-259-542](#) [0031-066-002](#) [0031-068-002](#) [0031-069-002](#) [0031-070-002](#) [0031-072-002](#)
[015-9516-002](#) [020313-0043](#) [020340-0009](#) [020418-0036](#) [020419-0080](#) [020419-0120](#) [020420-0108](#) [60-042022-07P](#) [60-042722-19P](#) [0104-201-2402](#) [0114-201-1278](#) [024251-0015](#) [602GB06EG1832SN](#) [0134-201-1207](#) [0134-201-1410](#) [0134-201-1806](#) [0134-201-2006](#) [0134-201-2007](#)
[0134-201-2010](#) [0134-201-2200](#) [0134-202-1400](#) [0134-207-0809](#) [0134-207-1208](#)