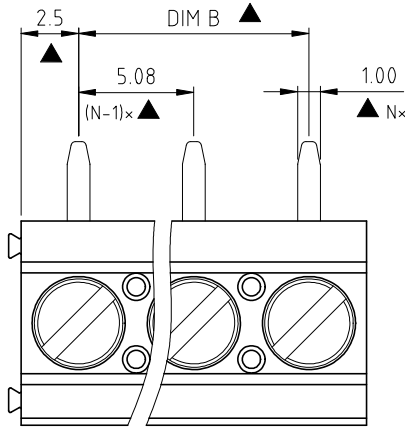


RoHS Compliant

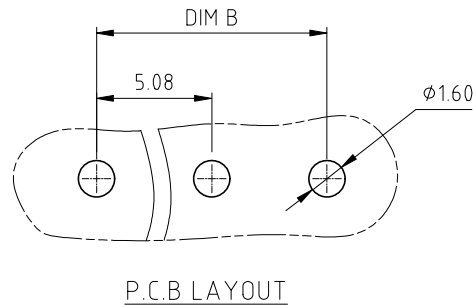
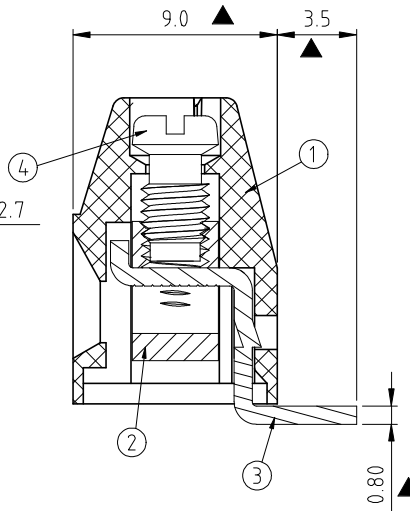
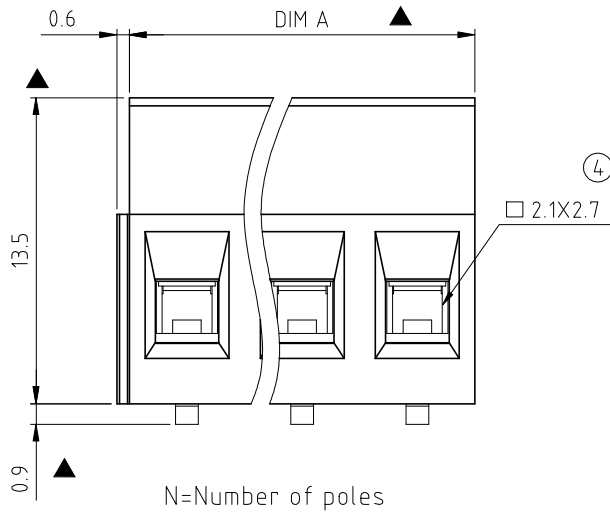


Dimension

|       |            |
|-------|------------|
| DIM A | N×5.08     |
| DIM B | (N-1)×5.08 |

N=Number of poles

| POLES   | TOL   |
|---------|-------|
| 2p-6p   | ±0.15 |
| 7p-12p  | ±0.25 |
| 13p-16p | ±0.35 |
| 17p-24p | ±0.40 |



P.C.B LAYOUT

| Rev | SIGN | DATE     | DESCRIPTION   | APPROVER |
|-----|------|----------|---|----------|
| E   | △    | 8/07'06  | Added FIMKO standard  | 梁仁松      |
| F   | △    | 01/18'07 | Soldering temperature changed from 245° to 250°                 | Tason    |
|     | △    | 01/18'07 | Part NO is Changed  | Tason    |
| G   | △    | 07/02'18 | Modify the drawing frame  | PansLee  |
|     | △    | 07/02'18 | Cancel FI certification   | PansLee  |
|     | △    | 07/02'18 | Add critical dimension  | PansLee  |
|     | △    | 07/02'18 | Add the color of the P/N and poles tolerance table              | PansLee  |
|     | △    | 07/02'18 | Wave soldering temperature changed from 250°C±10°C to 260°C±5°C | PansLee  |
|     | △    | 07/02'18 | Modify the Electrical arguments                                 | PansLee  |
| H   | △    | 07/02'18 | Modify the Material annotation                                  | PansLee  |
|     | △    | 07/27'20 | Add TUV certification   | Rhine    |

THIS IS CAD DRAWING, DO NOT REVISE MANUALLY!!!

△ Material:

- Item ① Terminal housing :Thermoplastic (UL 94V-0)
- Item ② Clamp : Brass ,Ni plated
- Item ③ Wire guard solder pin :Brass ,Bright Tin plated
- Item ④ Terminal screw: Steel Zinc plating"-slot type

△△△ Electrical cULus TUV

- Voltage rating: 300VAC 250VAC
- Current rating: 16A 17.5A
- Wire range: 0.2-1.5mm<sup>2</sup>
- Solid wire(AWG): 12-28
- Stranded wire(AWG): 12-28
- Torque: 3.5Lb-In. 0.5N.m
- Screw: M3
- Wire strip length: 6-7mm
- Withstanding Voltage: 1.6KV 2.0KV
- Operating temperature: -40°C to +115°C

△△ ● Wave soldering temperature: 260°C±5°C/5 Sec

△ ● Safety Approval: cULus △

△ ● Critical dimension: ▲

△ VI xx 21 x 0 xxxx G

- 02 2 POLES
- 03 3 POLES
- ...
- 24 24 POLES

- 0 Black (RAL9005)
- 5 Green(RAL6018/T)
- 6 Blue (RAL5015/A)
- 8 Grey(RAL7035/D)
- C Green(RAL6018/U)

0000:"@Logo (Standard)  
000A:"ANYTEK"Logo  
Any special item by customer request, please contact sales department.

RoHS compliant (lead<4%)  
In copper Alloy



**Amphenol ANYTEK**

**CUSTOMER COPY**

ALL RIGHTS RESERVED. REPRODUCTION OR ISSUE TO THIRD PARTIES IN ANY FORM WHATSOEVER IS NOT PERMITTED WITHOUT WRITTEN AUTHORITY FROM THE PROPRIETOR. PROPERTY OF ANYTEK TECHNOLOGY CO., LTD

|          |         |                               |                     |              |            |
|----------|---------|-------------------------------|---------------------|--------------|------------|
| TITLE    |         | VI 5.08 SERIES 90° wire inlet |                     |              |            |
| PART NO. |         | VIxx21x0xxxxG                 |                     | DWG NO.      | 8VI0102    |
| APPROVED | CHECKED | DESIGNED                      | DRAWN               | CUST NO.     |            |
|          |         | Rhine<br>2020.07.27           | Rhine<br>2020.07.27 |              |            |
|          |         |                               |                     |              | Tolerance  |
|          |         |                               |                     |              | UNIT: mm   |
|          |         |                               |                     | SCALE: NONE  | X.X ±0.30  |
|          |         |                               |                     | SHEET: 01/01 | X.XX ±0.10 |
|          |         |                               |                     | REV: H       | X° ±1°     |

## **X-ON Electronics**

Largest Supplier of Electrical and Electronic Components

*Click to view similar products for [Fixed Terminal Blocks](#) category:*

*Click to view products by [Amphenol](#) manufacturer:*

Other Similar products are found below :

[MBE-1512](#) [MBE-1520](#) [MBE-154](#) [MBE-156](#) [MBES-156](#) [MH-2512](#) [MHE-132](#) [MHE-163](#) [MI-254 \(35\)](#) [MPT-275](#) [ELM10110G](#) [BA311TU](#)  
[BA411SU](#) [MV-254-D](#) [MV-255](#) [MV-493](#) [MVE-252](#) [MVE-253](#) [MVEB-153](#) [1705142](#) [1-796689-8](#) [1841320000](#) [S451](#) [29.007](#) [29.116](#) [30.204](#)  
[30.503](#) [30.853](#) [9872-0-00-15-00-00-33-0](#) [996750](#) [1710052](#) [20020316-G071B01LF](#) [20020327-C061B01LF](#) [29590](#) [30.652](#) [30.710](#) [30.754](#)  
[30.757](#) [32.058](#) [37.206](#) [37.208](#) [37.507](#) [37.558](#) [38331-5812](#) [38331-8018](#) [38540-1910](#) [39.002](#) [MBE-1517](#) [MBE-153](#) [MBE-155](#)