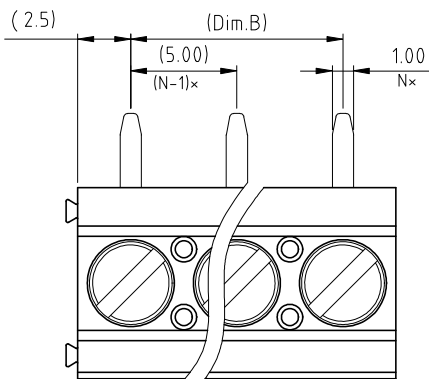


RoHS Compliant

Rev.	SIGN	DATE	DESCRIPTION	APPROVER
B	—	03/31'20	The first release	Guoxue
C	△	06/30'20	Add TUV certification	Rhine

THIS IS CAD DRAWING, DO NOT REVISE MANUALLY!!!

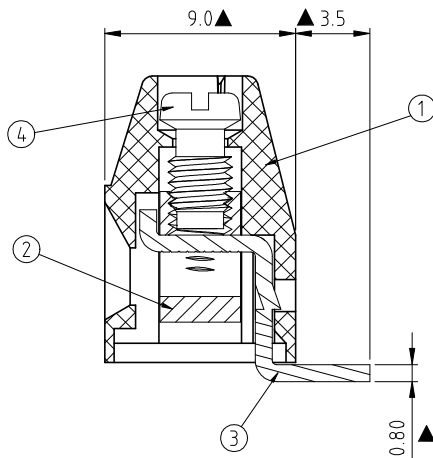
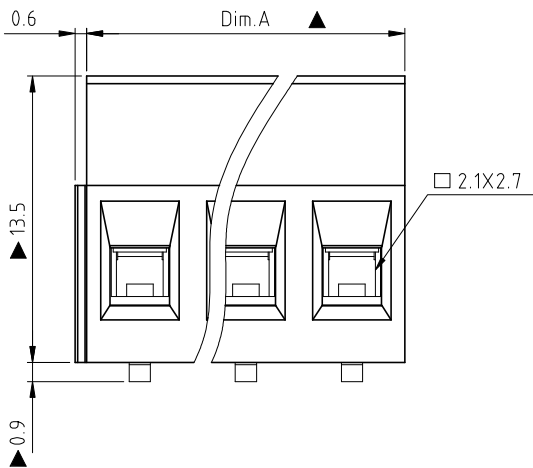


Material:

- Item ① Terminal housing :Thermoplastic (UL 94V-0)
- Item ② Clamp : Brass ,Ni plated
- Item ③ Wire guard solder pin : Brass ,Bright Tin plated
- Item ④ Terminal screw: Steel Zinc plating"-slot type

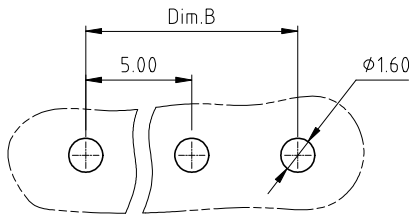
- △ Electrical cULus TUV
- Voltage rating: 300VAC 250VAC
 - Current rating: 16A 17.5A
 - Wire range: 0.2-1.5mm²
 - Solid wire(AWG): 12-28
 - Stranded wire(AWG): 12-28
 - Torque: 3.5Lb-In. 0.5N.m
 - Screw: M3
 - Wire strip length: 6-7mm
 - Withstanding Voltage: 1.6KV 2.0KV
 - Operating temperature: -40°C to +115°C
 - Wave soldering temperature: 260°C±5°C/5 Sec
 - Safety Approval:
 - Critical dimension: ▲

● Reference dimension: (x)The dimensions of pitch are just for reference, take the actual assembly result as a judgment when inserting the terminal block into the PCB hole.



VI xx 01 x 0 xxxx G

No. of poles end	0 Black	0000:"@Logo (Standard)	
stackable design	5 Green(RAL6018/T)	000A:"ANYTEK"Logo	RoHS compliant
02 2 POLES	6 Blue	Any special item by	(lead<4%)
03 3 POLES	8 Grey(RAL7035/D)	customer request,	In copper Alloy
... ..	C Green(RAL6018/U)	please contact sales	
24 24 POLES		department.	



P.C.B LAYOUT

N = Number of poles
 Dim.A=Nx5.0
 Dim.B=(N-1)x5.0

Poles	Dim.A Tol.
2-6p	±0.15
7-12p	±0.20
13-18p	±0.30
19-24p	±0.40

Amphenol ANYTEK		CUSTOMER COPY	
ALL RIGHTS RESERVED. REPRODUCTION OR ISSUE TO THIRD PARTIES IN ANY FORM WHATSOEVER IS NOT PERMITTED WITHOUT WRITTEN AUTHORITY FROM THE PROPRIETOR. PROPERTY OF ANYTEK TECHNOLOGY CO., LTD			
TITLE	VI 5.0 SERIES 90° wire inlet		
PART NO.	VIxx01x0xxxxG	DWG NO.	8VI0059
APPROVED	CHECKED	DESIGNED	DRAWN
		Rhine 2020.06.30	Rhine 2020.06.30
CUST NO.		Tolerance	
		UNIT: mm	X. ±0.50
SHEET: 01/01		SCALE: NONE	X.X ±0.30
REV: C			X.XX ±0.10
			X° ±1°

X-ON Electronics

Largest Supplier of Electrical and Electronic Components

Click to view similar products for [Circular MIL Spec Connector](#) category:

Click to view products by [Amphenol](#) manufacturer:

Other Similar products are found below :

[89075GULPR](#) [0025-262-542](#) [0025-263-3014](#) [0025-264-3014](#) [0031-065-002](#) [0031-071-002](#) [0134-201-1007](#) [0134-202-0800](#) [0134-202-1200](#)
[0134-202-2407](#) [0134-207-1206](#) [0134-207-1800](#) [0134-207-2207](#) [0134-213-0806](#) [0134-213-1007](#) [0134-213-1009](#) [0134-213-1200](#) [0134-213-1208](#) [0134-213-1800](#) [0134-213-2209](#) [0025-258-000](#) [0025-259-542](#) [0031-066-002](#) [0031-068-002](#) [0031-069-002](#) [0031-070-002](#) [0031-072-002](#)
[015-9516-002](#) [020313-0043](#) [020340-0009](#) [020418-0036](#) [020419-0080](#) [020419-0120](#) [020420-0108](#) [60-042022-07P](#) [60-042022-23P](#) [60-042217-10P](#) [60-042217-11P](#) [60-042722-19P](#) [0104-201-2402](#) [0114-201-1278](#) [024251-0015](#) [602GB06EG1832SN](#) [0134-201-1207](#) [0134-201-1410](#) [0134-201-1806](#) [0134-201-2006](#) [0134-201-2007](#) [0134-201-2010](#) [0134-201-2200](#)