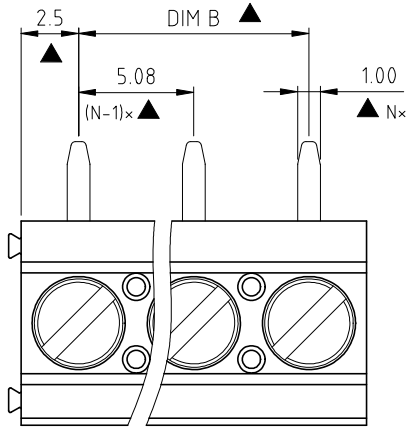


RoHS Compliant

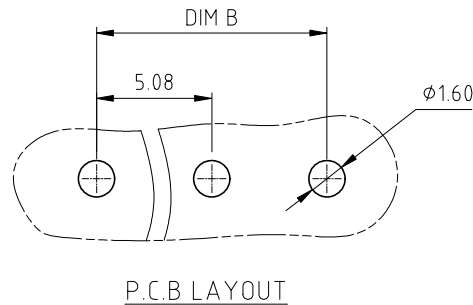
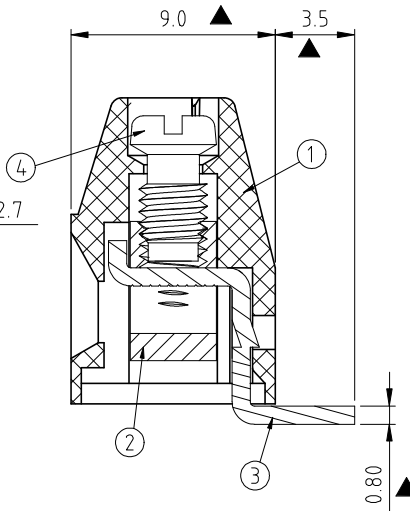
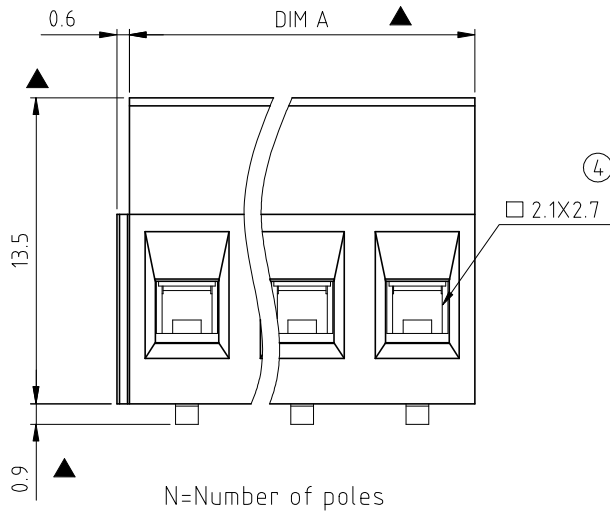


Dimension

DIM A	N×5.08
DIM B	(N-1)×5.08

N=Number of poles

POLES	TOL
2p-6p	±0.15
7p-12p	±0.25
13p-16p	±0.35
17p-24p	±0.40



P.C.B LAYOUT

Rev	SIGN	DATE	DESCRIPTION	APPROVER
E	△	8/07'06	Added FIMKO standard	梁仁松
F	△	01/18'07	Soldering temperature changed from 245° to 250°	Tason
	△	01/18'07	Part NO is Changed	Tason
G	△	07/02'18	Modify the drawing frame	PansLee
	△	07/02'18	Cancel FI certification	PansLee
	△	07/02'18	Add critical dimension	PansLee
	△	07/02'18	Add the color of the P/N and poles tolerance table	PansLee
	△	07/02'18	Wave soldering temperature changed from 250°C±10°C to 260°C±5°C	PansLee
	△	07/02'18	Modify the Electrical arguments	PansLee
H	△	07/02'18	Modify the Material annotation	PansLee
	△	07/27'20	Add TUV certification	Rhine

THIS IS CAD DRAWING, DO NOT REVISE MANUALLY!!!

△ Material:

- Item ① Terminal housing :Thermoplastic (UL 94V-0)
- Item ② Clamp : Brass ,Ni plated
- Item ③ Wire guard solder pin :Brass ,Bright Tin plated
- Item ④ Terminal screw: Steel Zinc plating"-slot type

△△△ Electrical cULus TUV

- Voltage rating: 300VAC 250VAC
- Current rating: 16A 17.5A
- Wire range: 0.2-1.5mm²
- Solid wire(AWG): 12-28
- Stranded wire(AWG): 12-28
- Torque: 3.5Lb-In. 0.5N.m
- Screw: M3
- Wire strip length: 6-7mm
- Withstanding Voltage: 1.6KV 2.0KV
- Operating temperature: -40°C to +115°C

△△ ● Wave soldering temperature: 260°C±5°C/5 Sec

△ ● Safety Approval: cULus △

△ ● Critical dimension: ▲

△ VI xx 21 x 0 xxxx G

- 02 2 POLES
- 03 3 POLES
- ...
- 24 24 POLES

- 0 Black (RAL9005)
- 5 Green(RAL6018/T)
- 6 Blue (RAL5015/A)
- 8 Grey(RAL7035/D)
- C Green(RAL6018/U)

0000:"@Logo (Standard)
000A:"ANYTEK"Logo
Any special item by
customer request,
please contact sales
department.

RoHS compliant
(lead<4%)
In copper Alloy



Amphenol
ANYTEK

CUSTOMER COPY

ALL RIGHTS RESERVED. REPRODUCTION OR ISSUE TO THIRD PARTIES IN ANY FORM WHATSOEVER IS NOT PERMITTED WITHOUT WRITTEN AUTHORITY FROM THE PROPRIETOR. PROPERTY OF ANYTEK TECHNOLOGY CO., LTD

TITLE		VI 5.08 SERIES 90° wire inlet			
PART NO.		VIxx21x0xxxxG		DWG NO.	8VI0102
APPROVED	CHECKED	DESIGNED	DRAWN	CUST NO.	
		Rhine 2020.07.27	Rhine 2020.07.27		
					Tolerance
					UNIT: mm
				SCALE: NONE	X.X ±0.30
				SHEET: 01/01	X.XX ±0.10
				REV: H	X° ±1°

X-ON Electronics

Largest Supplier of Electrical and Electronic Components

Click to view similar products for [Fixed Terminal Blocks](#) category:

Click to view products by [Amphenol](#) manufacturer:

Other Similar products are found below :

[MBE-1512](#) [MBE-1520](#) [MBE-154](#) [MBE-156](#) [MBES-156](#) [MH-2512](#) [MHE-132](#) [MHE-163](#) [MI-254 \(35\)](#) [MPT-275](#) [ELM023100](#) [ELM10110G](#)
[BA311TU](#) [BA411SU](#) [MV-254-D](#) [MV-255](#) [MV-493](#) [MVE-252](#) [MVE-253](#) [MVEB-153](#) [1705142](#) [1-796689-8](#) [1841320000](#) [20020314-](#)
[C121B01LF](#) [KP03215000J0G](#) [KP04215000J0G](#) [S451](#) [29.007](#) [29.116](#) [30.204](#) [30.503](#) [30.756](#) [30.853](#) [9872-0-00-15-00-00-33-0](#) [996750](#)
[1710052](#) [20020316-G071B01LF](#) [20020327-C061B01LF](#) [29590](#) [30.652](#) [30.710](#) [30.754](#) [30.757](#) [32.058](#) [37.206](#) [37.208](#) [37.507](#) [37.558](#) [38331-](#)
[5812](#) [38331-8018](#)