


SIGN	DATE	DESCRIPTION	APPROVER
△	8/07'06	Added FIMKO standard	梁仁松
△	01/18'07	Soldering temperature changed from 245° to 250°	Tason
△	01/18'07	Part NO is Changed	Tason
△	12/28'09	The shape of digging hole is Changed	Aaron

THIS IS CAD DRAWING, DO NOT REVISE MANUALLY!!!

Material:

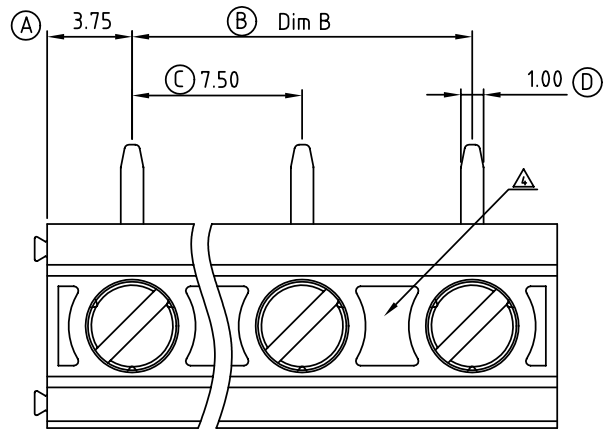
- Item 1 Terminal housing :Thermoplastic (UL 94V-0)
- Item 2 Clamp : Brass ,Ni plated
- Item 3 Wire guard solder pin : Brass ,Tin plated
- Item 4 Terminal screw: Steel Zinc plating"- "slot type

△ Electrical cULus/FIMKO

- Voltage rating: 300VAC/300VAC
- Current rating: 16A/17.5A
- Wire range: 1.5mm²
- Solid wire(AWG): 12-28
- Stranded wire(AWG): 12-28
- Torque: 3.5Lb-In./0.5Nm
- Screw: M3
- Wire strip length: 6-7mm
- Withstanding Voltage: 1.6KV/2.5KV
- Operating temperature: -40°C to +115°C
- Soldering temperature: 250°C±10°C/5 Sec
- Safety Approval: 

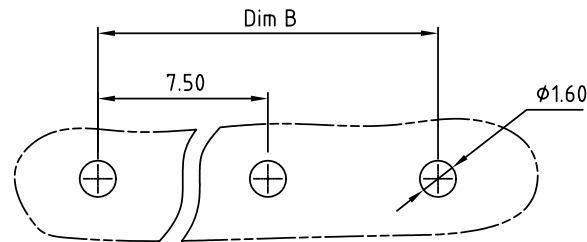
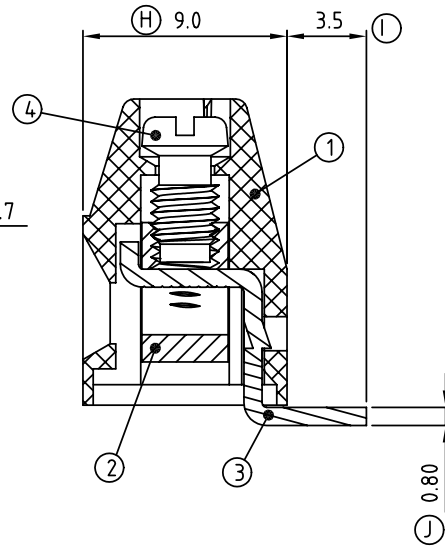
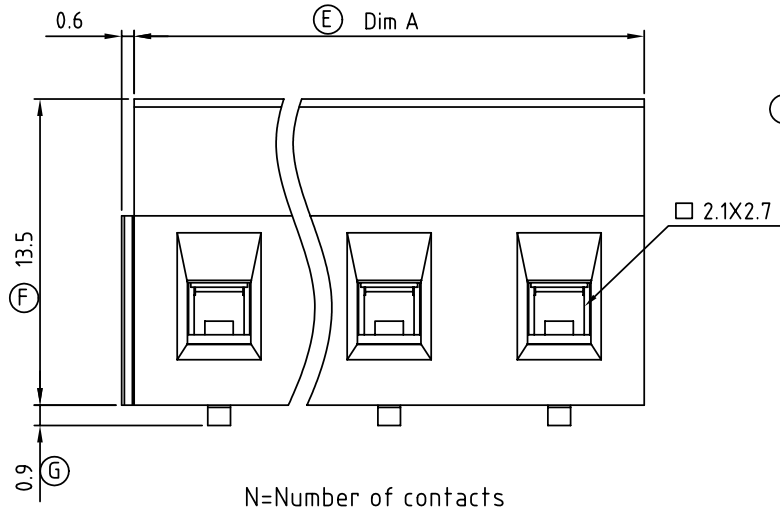
△ VI xx 41 x 0 xxxx G

02 2 CONTACTS	0 Black	0000:"@ "Logo (Standard)	Pb < 40,000ppm (RoHS)
03 3 CONTACTS	5 Green (RAL 6018/T)	000A:"ANYTEK" Logo	
... ..	6 Blue	Any special item by customer request,	please contact sales department.
16 16 CONTACTS	8 Grey (RAL 7035/D)		



DIMENSION		Poles	Tolerance
Dim A	N×7.5	2p-6p	±0.15
Dim B	(N-1)×7.5	7p-12p	±0.25
		13p-16p	±0.35

N=Number of contacts

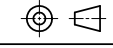


P.C.B LAYOUT

ANYTEK

CUSTOMER COPY

ALL RIGHTS RESERVED. REPRODUCTION OR ISSUE TO THIRD PARTIES IN ANY FORM WHATSOEVER IS NOT PERMITTED WITHOUT WRITTEN AUTHORITY FROM THE PROPRIETOR. PROPERTY OF ANYTEK TECHNOLOGY CO., LTD

TITLE		VI 7.5 SERIES 90° wire inlet			
PART NO.		VIxx41x0xxxxG		DWG NO.	8VI0202
APPROVED	CHECKED	DESIGNED	DRAWN	CUST NO.	
		Aaron 2009.12.28	熊海燕 2007.01.18		
				UNIT: mm	Tolerance
				SCALE: NONE	X. ±0.50
				SHEET: 01/01	X.X ±0.30
				REV.: G	X.XX ±0.10
					X° ±1°

X-ON Electronics

Largest Supplier of Electrical and Electronic Components

Click to view similar products for [Fixed Terminal Blocks](#) category:

Click to view products by [Amphenol](#) manufacturer:

Other Similar products are found below :

[MBE-1512](#) [MBE-154](#) [MBE-156](#) [MBES-153](#) [MBES-156](#) [MH-2512](#) [MHE-132](#) [MHE-163](#) [MI-254 \(35\)](#) [MI-272](#) [880507](#) [MPT-275](#)
[15602-04-08-21](#) [BA311TU](#) [BA411SU](#) [MV-152](#) [MV-252-D](#) [MV-253/NCNOC](#) [MV-254-D](#) [MV-255](#) [MV-462](#) [MV-493](#) [MVE-252](#) [MVE-253](#)
[MVE-273](#) [MVEB-153](#) [1700096](#) [1705142](#) [1745195](#) [1760594](#) [1776118-2](#) [1-796689-8](#) [1-796692-6](#) [20020314-C121B01LF](#) [CB2-12](#)
[KP03215000J0G](#) [KP04215000J0G](#) [S451](#) [282802-2](#) [29.007](#) [29.116](#) [30.103](#) [30.106](#) [30.252](#) [30.503](#) [30.608](#) [30.753](#) [30.755](#) [30.756](#) [30.853](#)