

REV	SCR NO.	DESCRIPTION	BY	DATE	APPROVED
-	55281	NEW RELEASE	B. B.	04/26/10	H. COOK
A	55347	ADDED NOTE 8, ADDED DIMENSIONS TO BOARD DETAIL FOR KEEPOUT AREA. UPDATED NOTE 2	B. B.	06/22/10	H. COOK

NOTES:

- REFER TO FOLLOWING TECH BULLETINS FOR VIPER PRODUCT SPECIFICATIONS:
 TB-2094: VIPER GENERAL PRODUCT SPECIFICATION
 TB-2095: VIPER CONNECTOR QUALIFICATION PLAN SUMMARY
 TB-2096: VIPER SIGNAL INTEGRITY CHARACTERIZATION REPORT
 TB-2097: VIPER SIGNAL TRACE ROUTING GUIDELINES BACKPLANE AND DAUGHTERCARD
 TB-2098: INSTALLATION OF RIGHT-ANGLE PRESSFIT VIPER DAUGHTERCARD CONNECTORS
 TB-2099: VIPER CONNECTOR REPAIR PROCEDURES
 TB-2100: VIPER BACKPLANE CONNECTOR PRESS-FIT INSTALLATION PROCESS
- TYPICAL MODULE TRAY MARKING AS FOLLOWS:
 LINE 1: VJ776-10001 REV
 LINE 2: MFR: 55KX1 YYWW
 LINE 3: QTY
- GUIDE PIN IS INTENDED FOR USE IN 6.35 [.250 in] MAX THICK BOARD. ALTERNATE GUIDANCE/KEY PIN AVAILABLE FOR DIFFERENT BACKPLANE THICKNESSES. CONSULT FACTORY FOR OPTIONS.
- THIS CONFIGURATION AND HOLES ARE REQUIRED TO SUPPORT VITA 46 PRODUCT SPECIFICATION AND ARE NOT REQUIRED FOR VIPER PRODUCT LINE TO BE INSTALLED.
- BACKPLANE KEYING TO BE SPECIFIED BY CUSTOMER WHEN ORDERING. IF NO KEYING SPECIFIED KEYS ARE BAGGED AND SHIPPED UNASSEMBLED WITH CONNECTOR.
- Ø9.00 GROUND PAD PLATED AROUND GUIDE PIN MOUNTING HOLE ON TOP AND BOTTOM SIDES OF BOARD.
- MATES WITH VP776-10001
- REQUIRED KEEP OUT AREA FOR BACKPLANE MODULE INSTALLATION.

GUIDE PIN KEYING REFERENCE

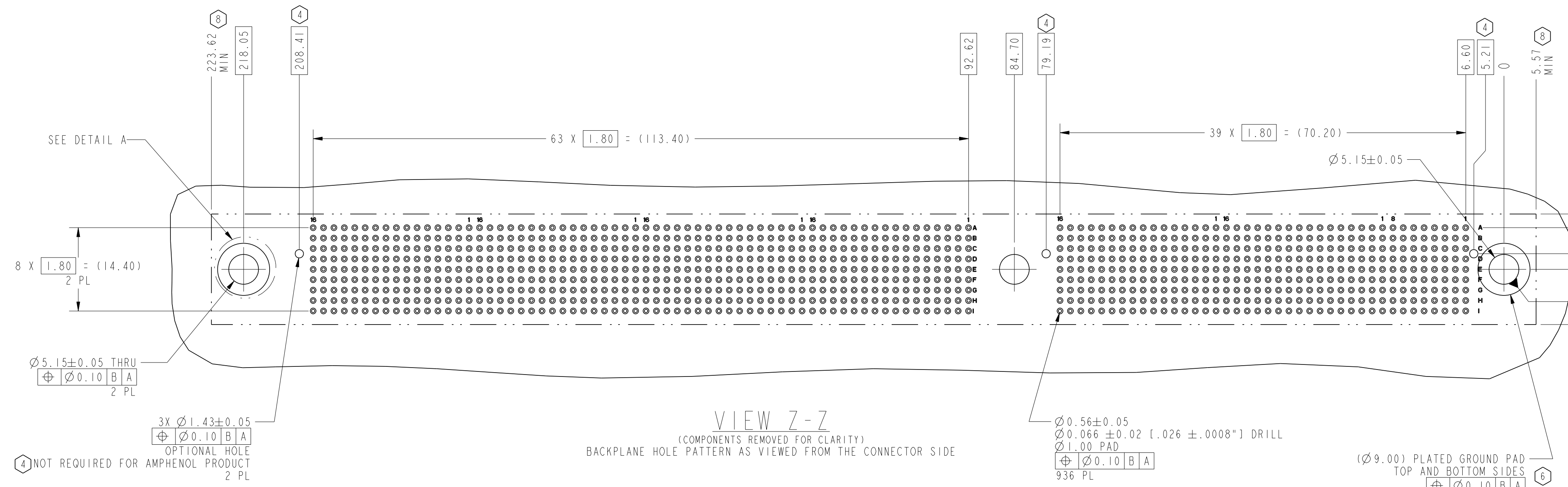
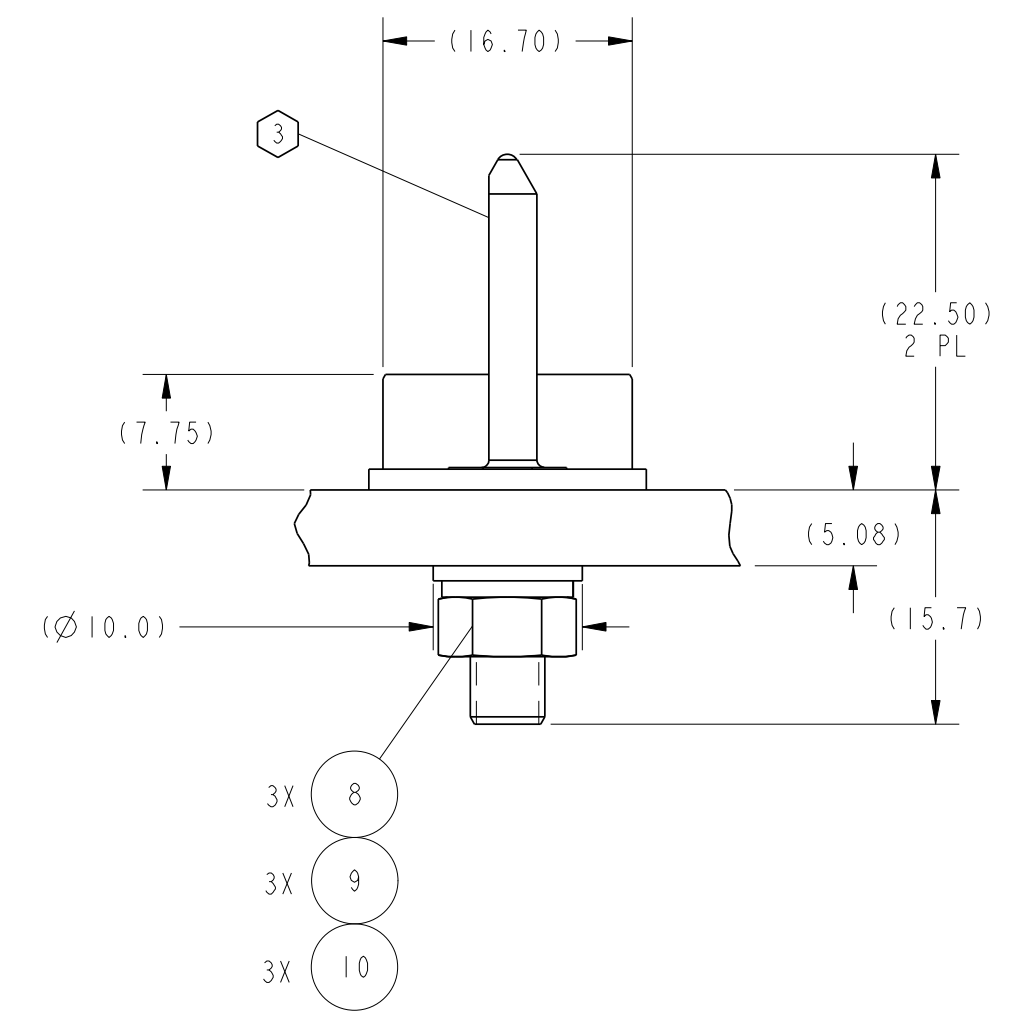
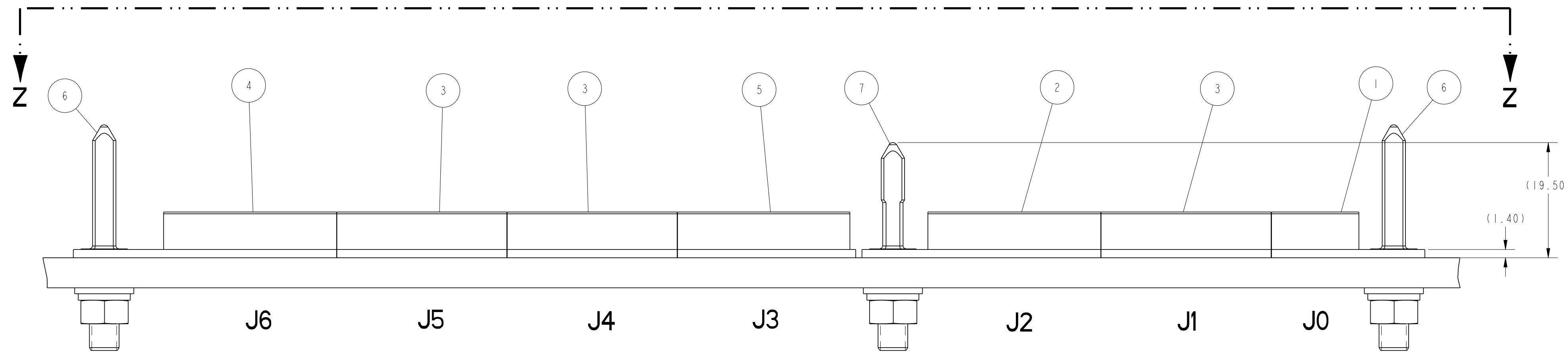
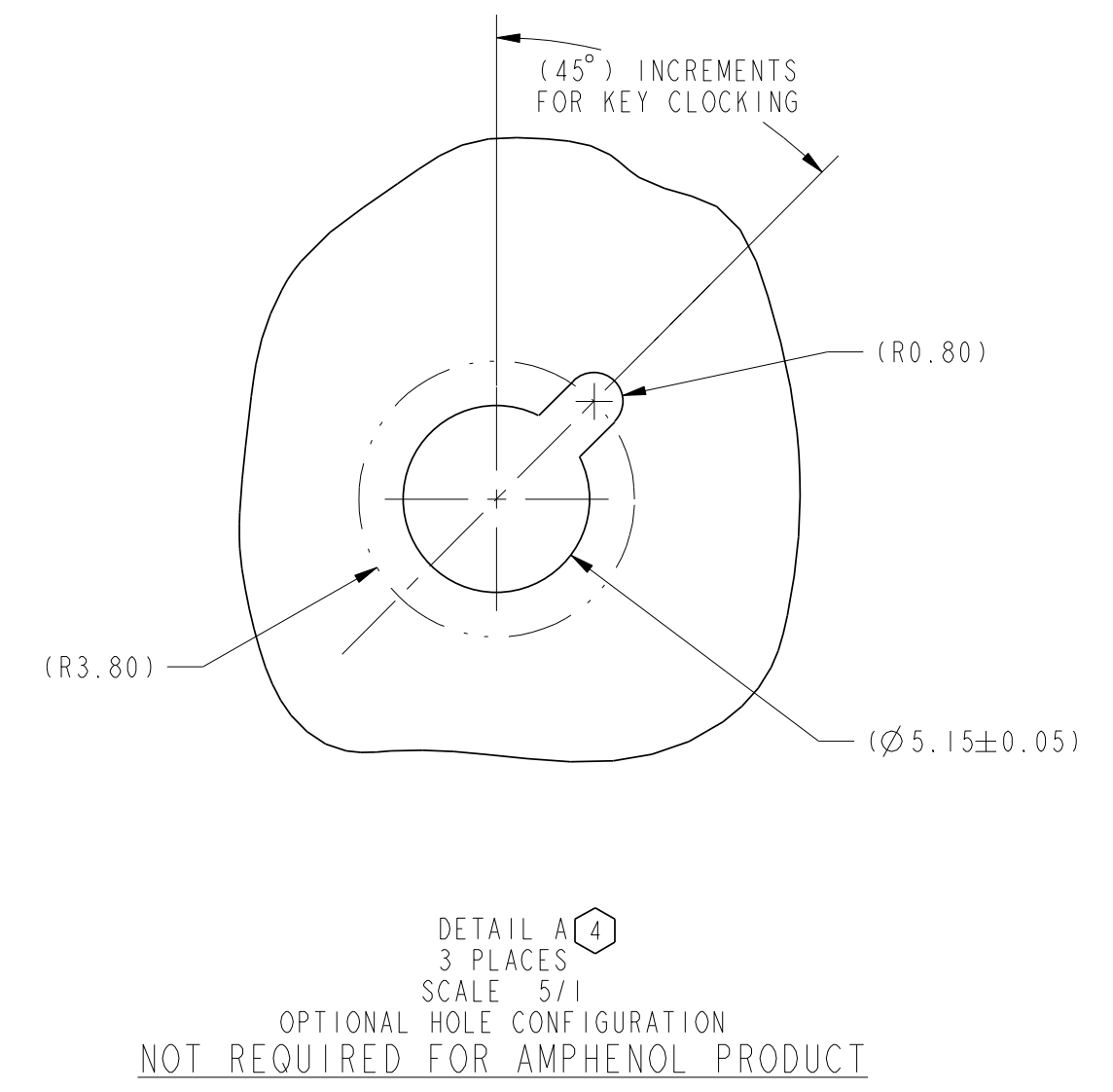
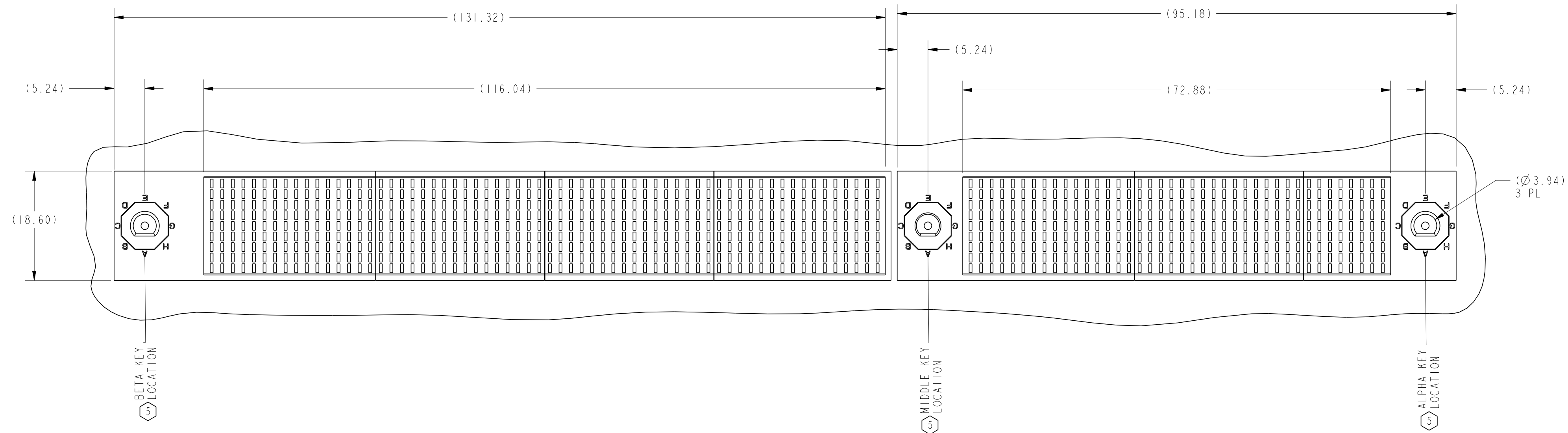
	GUIDE PIN POSITION "A"
	GUIDE PIN POSITION "B"
	GUIDE PIN POSITION "C"
	GUIDE PIN POSITION "D"
	GUIDE PIN POSITION "E"
	GUIDE PIN POSITION "F"
	GUIDE PIN POSITION "G"
	GUIDE PIN POSITION "H"

BACKPLANE PARTS LIST

ITEM	PART NUMBER	DESCRIPTION	MATERIAL/PLATING	QTY
1	344-5004-000	8 POSITION KEYING MODULE ASSEMBLY "J0"	INSULATOR: LCP UL94 V0 PER MIL-M-24519 CONTACTS: OLIN C7025 TMO3 PLATING: 50µ IN. GOLD OVER 150µ IN. NICKEL TIN-LEAD ON COMPLIANTS	1
2	344-5002-000	16 POSITION KEYING MODULE DIFFERENTIAL ASSEMBLY "J2"	INSULATOR: LCP UL94 V0 PER MIL-M-24519 CONTACTS: OLIN C7025 TMO3 PLATING: 50µ IN. GOLD OVER 150µ IN. NICKEL TIN-LEAD ON COMPLIANTS	1
3	344-5001-000	16 POSITION CENTER MODULE DIFFERENTIAL ASSEMBLY "J1", "J4" & "J5"	INSULATOR: LCP UL94 V0 PER MIL-M-24519 CONTACTS: OLIN C7025 TMO3 PLATING: 50µ IN. GOLD OVER 150µ IN. NICKEL TIN-LEAD ON COMPLIANTS	3
4	344-5005-000	16 POSITION KEYING MODULE DIFFERENTIAL ASSEMBLY "J6"	INSULATOR: LCP UL94 V0 PER MIL-M-24519 CONTACTS: OLIN C7025 TMO3 PLATING: 50µ IN. GOLD OVER 150µ IN. NICKEL TIN-LEAD ON COMPLIANTS	1
5	344-5011-000	16 POSITION END MODULE DIFFERENTIAL ASSEMBLY "J3"	STAINLESS STEEL, TYPE 303, PASSIVATED	1
6	564-0498-000	GUIDANCE/KEYING PIN	STAINLESS STEEL, TYPE 303, PASSIVATED	2
7	564-0508-000	SHORT CENTER GUIDANCE/KEYING PIN	STAINLESS STEEL, TYPE 303, PASSIVATED	1
8	800-7667-100	HEX NUT, METRIC, M5	316 STAINLESS STEEL, DIN 934	3
9	800-7668-100	FLAT WASHER, METRIC, M5	316 STAINLESS STEEL, DIN 125	3
10	800-7669-100	LOCK WASHER, METRIC, M5	316 STAINLESS STEEL, DIN 127B	3

- ⑤
- ⑤
- ⑤
- ⑤
- ⑤

PROENGINEER PART	TOLERANCES	DWN 01/04/10	Amphenol Corporation AMPHENOL BACKPLANE SYSTEMS NASHUA, NH 03063
VJ77610001.ASSEM	0.0 ±	T. DOUCET	
PROENGINEER DRAWING	0.00 ±	CHK 04/23/10	
CVJ77610001	0.000 ±	R. CHIFFY	TITLE
	ANGLES ±°	APVD 04/26/10	VIPER VARIANT "C" CONNECTOR, BACKPLANE 6U CONFIGURATION
	UNLESS OTHERWISE SPECIFIED DIMENSIONS ARE IN MILLIMETERS		H. COOK
INTERPRET PER ASME Y14.5M	CUSTOMER USE DRAWING		PART NO. VJ776-10001
CODE IDENT 55KX1	SIZE D SCALE 2/1		DRAWING NO. C-VJ776-10001
	SHEET 1 OF 2		REV A



NOT REQUIRED FOR AMPHENOL PRODUCT

CODE IDENT 55KX1

CUSTOMER USE DRAWING	PART NO. VJ776-10001	REV A
	DRAWING NO. C-VJ776-10001	REV A
	SIZE D SCALE 2/1	SHEET 2 OF 2

X-ON Electronics

Largest Supplier of Electrical and Electronic Components

Click to view similar products for [High Speed/Modular Connectors](#) category:

Click to view products by [Amphenol](#) manufacturer:

Other Similar products are found below :

[650827-1](#) [74040-1346](#) [1410191-1](#) [1410337-1](#) [1410368-3](#) [1410964-2](#) [1410326-3](#) [1410367-3](#) [1410971-4](#) [1467833-1](#) [2000877-1](#) [2000878-1](#)
[2041314-1](#) [2065387-1](#) [2187307-1](#) [163P](#) [1934290-1](#) [2000875-1](#) [2065917-1](#) [2102736-2](#) [FSR-40](#) [2169868-2](#) [22354-8](#) [437-5040-000](#) [5-](#)
[1393565-0](#) [039-0246-000](#) [0740618502](#) [0761601016](#) [10123159-12ELF](#) [030-2415-003/100 PK](#) [030-7380-004](#) [030-2494-001](#) [532939-1](#)
[5532901-3](#) [3-1469268-7](#) [74748-102LF](#) [73670-0247](#) [10041743-101LF](#) [10066670-100002LF](#) [1-533915-1](#) [249-4515-000](#) [7-1469373-3](#) [DL2-](#)
[2J/S](#) [2000713-8](#) [2000713-7](#) [3011-21](#) [757105208](#) [EBTF-4-10-2.0-S-RA-1](#) [430305-001](#) [4395800100](#)