

# Switchable junction boxes

## VLL series

Wilcoxon's VLL enclosures are a cost-effective solution where simplicity of design fulfills your requirements. With many of the same configurable features of VLS and VLD models, the VLL can be tailored to a variety of industrial applications.

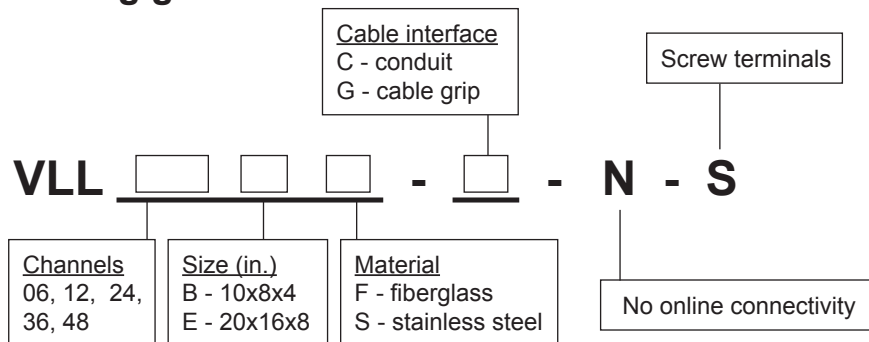


Expandable size (12-48 channels)



Standard size (6-12 channels)

### Ordering guide



Example:

**VLL06BF-G-N-S:** 6-channel switchbox, 10x8x4 in. fiberglass enclosure with cable grip option

### Key features

- Up to 48 channels
- Available in base or expandable size
- BNC connector for compatibility with data collectors
- Supports all IEPE sensors
- Manufactured in an approved ISO 9001 facility

### Certifications



Note: Due to continuous process improvement, specifications are subject to change without notice. This document is cleared for public release.

# Switchable junction boxes

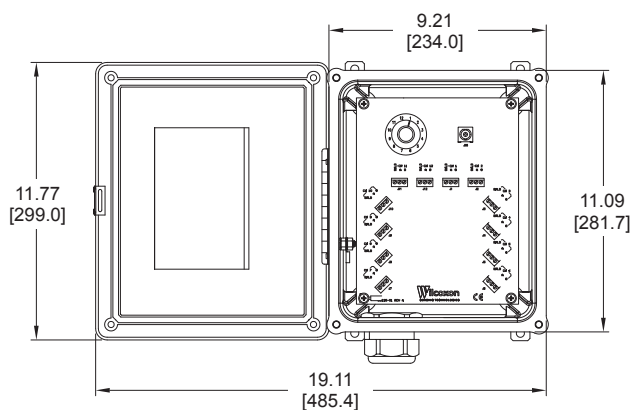
## VLL series

### SPECIFICATIONS

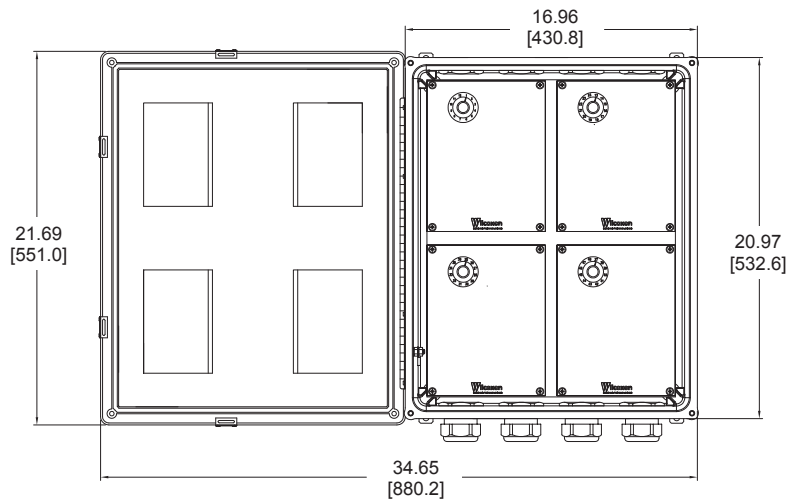
<b>Channels, user-selected</b>	6, 12, 24, 36, 48
<b>Output connector</b>	BNC
<b>Material, user-selected</b>	fiberglass or stainless steel
<b>Dimensions</b>	10 x 8 x 4 in. (6-12 channels, non-expandable) 20 x 16 x 8 in. (12-48 channels, expandable)
<b>Hinge</b>	stainless steel continuous weld
<b>Latch</b>	stainless steel butterfly knob
<b>Cable interface, user-selected</b>	cable grips or conduit
<b>Terminal block connectors</b>	3 positions per channel
<b>Rating:</b>	
<b>fiberglass</b>	NEMA 4X/IP66
<b>stainless steel</b>	NEMA 4/IP66
<b>Mounting</b>	Pole or wall mountable using four-corner stainless steel feet (fiberglass models include configurable feet)
<b>Sensor support</b>	IEPE
<b>Channel selector</b>	12 position dial switch, differential switching

**Accessories supplied:** Transducer location log; mounting feet; grounding lug; cable grip plugs (if applicable)

Standard size, 6-12 channels



Expandable size, 12-48 channels



Note: Due to continuous process improvement, specifications are subject to change without notice.  
This document is cleared for public release.

## X-ON Electronics

Largest Supplier of Electrical and Electronic Components

*Click to view similar products for [Electrical Enclosures](#) category:*

*Click to view products by [Amphenol](#) manufacturer:*

Other Similar products are found below :

[120-401](#) [120-905](#) [120-909](#) [120-403](#) [130-004](#) [MR-25L+](#) [30-8739](#) [PIP-11774SCREW](#) [30-9715](#) [30-9777-BU](#) [105-905](#) [110-901](#) [A16N12BLP](#)  
[110-406](#) [110-401](#) [110-403](#) [110-404](#) [120-405](#) [34861601](#) [106-009](#) [106-505](#) [111-005](#) [127-909](#) [106-502](#) [130-503](#) [127-401](#) [127-455](#) [9511150](#)  
[9820011](#) [137-455](#) [130-001](#) [105-904](#) [120-404](#) [137-005](#) [130-505](#) [127-406](#) [AB 1,5.0](#) [AB2.0](#) [ABM.0](#) [73345601](#) [F-MP](#) [M-MP](#) [PAT 12040](#)  
[9121230](#) [79541301](#) [19001001](#) [19001101](#) [TM 1224](#) [79503401](#) [79506401](#)