



SIGN	DATE	DESCRIPTION	APPROVER
△	2010.04.17	The Grey code changed from RAL7004/P to RAL7035/D	Jacke
△	2010.04.17	Add cULus standard	Jacke
△	2011.08.29	The dimension are added	Aaron
△	2011.08.29	Material is changed from Brass to Steel	Aaron
△	2011.08.29	Poles is changed from 7p-24p to 2p-24p	Aaron

THIS IS CAD DRAWING, DO NOT REVISE MANUALLY!!!

Material

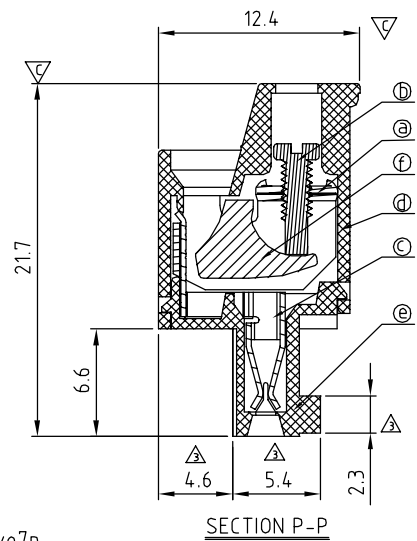
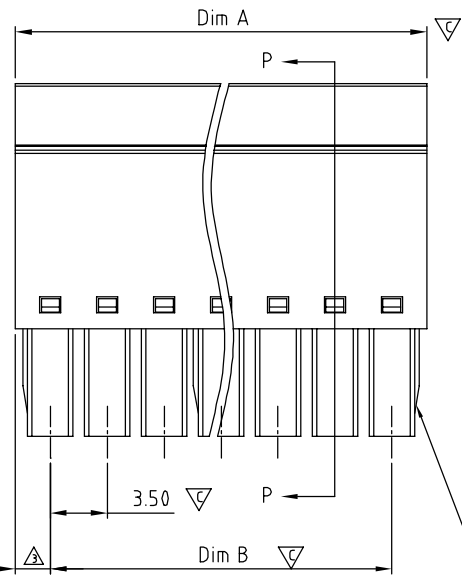
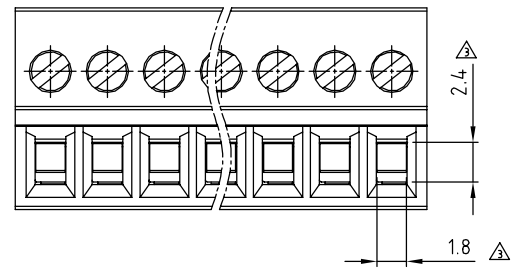
- Item a Clamp: Steel zine plated.
- Item b Terminal screw: Steel Zinc plating "-" slot type
- Item c Female contact: PhBz Tin plated
- Item d Terminal (Up body): Thermoplastic (UL94V-0)
- Item e Terminal (Down body): Thermoplastic (UL94V-0)
- Item f Clampage: Steel Zinc plated

Electrical cULus

- Voltage rating: 300VAC
- Current rating: 10A
- Wire range:
- Solid wire(AWG): 16-28
- Stranded wire(AWG): 16-28
- Torque: 1.7Lb-In
- Screw: M2
- Wire strip length: 6-7mm
- Withstanding Voltage: 1.6KV
- Operating temperature: -40°C to +115°C
- Safety approval: 
- Critical dimension: 

VM xx 15 x 0 xxxx G

No. OF POLES ———— G: Pb<40000ppm
 02: 2 POLES ———— 0000: "@ "logo
 : : : : 000A: "ANYTEK" logo
 24: 24 POLES ———— Any special item by customer request.
 0 Black (RAL9005) please contact sales department.
 △ 5 Green(RAL6018/T)
 6 Blue (RAL5015/A)
 8 Grey(RAL7035/D)
 C Green(RAL6018/U)

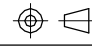


Dimension

Dim A	Nx3.5+0.80
Dim B	(N-1)x3.5

N = Number of poles

Poles	Tolerance
2p-6p	±0.10
7p-12p	±0.20
13p-18p	±0.30
19p-24p	±0.40

ANYTEK				CUSTOMER COPY			
ALL RIGHTS RESERVED. REPRODUCTION OR ISSUE TO THIRD PARTIES IN ANY FORM WHATSOEVER IS NOT PERMITTED WITHOUT WRITTEN AUTHORITY FROM THE PROPRIETOR. PROPERTY OF ANYTEK TECHNOLOGY CO., LTD							
TITLE	VM 3.5mm W/O Flange Series (2P-24P)			DWG NO.	8VM0602		
PART NO.	VMxx15x0xxxxG			CUST NO.			
APPROVED	CHECKED	DESIGNED	DRAWN	Tolerance			
		Aaron 2011.08.29	Aaron 2011.08.29			UNIT: mm/in	X. ±0.50
				SHEET: 01/01		SCALE: NONE	X.X ±0.30
				REV.: D			X.XX ±0.10
							X° ±1°

X-ON Electronics

Largest Supplier of Electrical and Electronic Components

Click to view similar products for [Pluggable Terminal Blocks](#) category:

Click to view products by [Amphenol](#) manufacturer:

Other Similar products are found below :

[57.510.0053](#) [MC 1.5/ 6-ST-3.5 GY AU](#) [734-104](#) [734-302](#) [8-141-P](#) [8426620000](#) [860505](#) [860810](#) [GBPACX-12](#) [93.731.4953.0](#) [PV05-5,08-K](#)
[PVP04-3,50](#) [PVS02-5,00](#) [1-1986160-3](#) [1377680000](#) [1531000000](#) [1546228-5](#) [ELFH16150](#) [ELFP03110](#) [ELFP10210](#) [ELFT06250](#)
[ELVP03100](#) [1700410](#) [1700425](#) [1702246](#) [1717806](#) [1719600](#) [1734692](#) [1734795](#) [1740291](#) [1752441](#) [1752865](#) [1754144](#) [1760051](#) [1760336](#)
[1777701](#) [1783410](#) [1800227](#) [1801080](#) [1836888](#) [1848818](#) [1849079](#) [1860870](#) [1876327](#) [1896417](#) [1903096](#) [19346](#) [1946309](#) [1970579](#) [1973592](#)