

SIGN	DATE	DESCRIPTION	APPROVER
△	11/25'04	The dimension changed from N×3.81 TO N×3.81+0.80	何恩華
△	11/25'04	Part No. changed from VMxx35x2 to VMxx35x2G	何恩華
△	02/07'06	Part No. changed	Tony
△	08/22'09	Add pad for 2P - 6P .	Kind

THIS IS CAD DRAWING, DO NOT REVISE MANUALLY!!!

Material

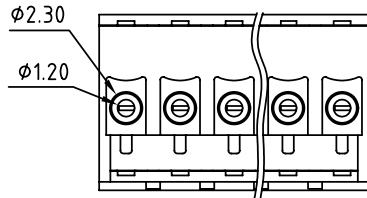
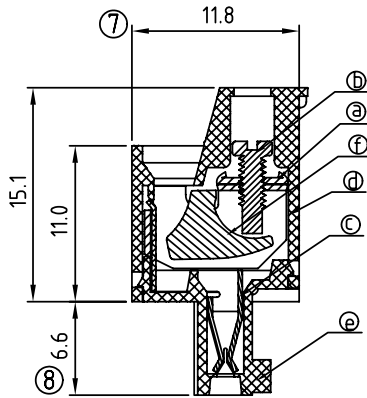
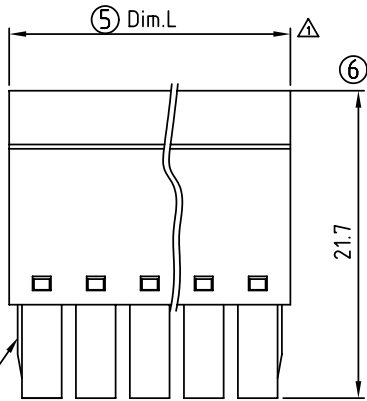
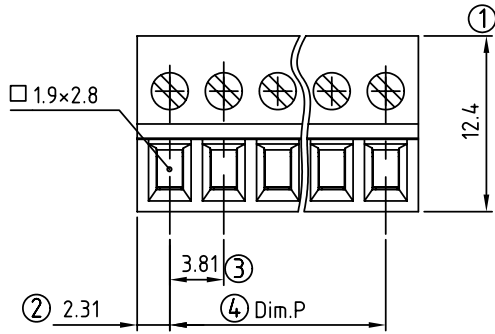
- Item a Clamp: Steel zine plated.
- Item b Terminal screw: Brass Zinc plating "-" slot type
- Item c Female contact: PhBz Tin plated
- Item d Terminal (Up body): Thermoplastic (UL94V-0)
- Item e Terminal (Down body): Thermoplastic (UL94V-0)
- Item f Clampage: Steel Zinc plated

Electrical cULus

- Voltage rating: 300VAC
- Current rating: 10A
- Wire range:
- Solid wire(AWG): 16-28
- Stranded wire(AWG): 16-28
- Torque: 1.7Lb-In
- Screw: M2
- Wire strip length: 6-7mm
- Withstanding Voltage: 1.6KV
- Operating temperature: -40°C to +115°C
- Safety approval: cULus

△ VM xx 3 5 x 0 xxxx G

- POLES ————
- 02 pole
-
- 24 pole
- G: Pb<40000ppm
- Color
- 0 Black (RAL9005)
- 2 Red (RAL3001/D)
- 3 Orange(RAL2011/P)
- 4 Yellow(RAL1018/A)
- 5 Green(RAL6018/T)
- 6 Blue (RAL5015/A)
- 8 Grey(RAL7035/D)
- 0000: "@"logo
- 000A: "ANYTEK"logo
- Any special item by customer request. please contact sales department.



△ 此肋只有2P-6P有, 7P<含7P>以上無.

POLE		2	3	4	5	6	7	8	9	10	11	12
Dim.L		8.42	12.23	16.04	19.85	23.66	27.47	31.28	35.09	38.90	42.71	46.52
Dim.P		3.81	7.62	11.43	15.24	19.05	22.86	26.67	30.48	34.29	38.10	41.91
Tol.		±0.20					±0.25					
POLE	13	14	15	16	17	18	19	20	21	22	23	24
Dim.L	50.33	54.14	57.95	61.76	65.57	69.38	73.19	77.00	80.81	84.62	88.43	92.24
Dim.P	45.72	49.53	53.34	57.15	60.96	64.77	68.58	72.39	76.20	80.01	83.82	87.63
Tol.		±0.30					±0.40					

ANYTEK

CUSTOMER COPY

ALL RIGHTS RESERVED. REPRODUCTION OR ISSUE TO THIRD PARTIES IN ANY FORM WHATSOEVER IS NOT PERMITTED WITHOUT WRITTEN AUTHORITY FROM THE PROPRIETOR. PROPERTY OF ANYTEK TECHNOLOGY CO., LTD

TITLE		VM 3.81mm W/O Flange Series			
PART NO.	VMxx35x0xxxxG	DWG NO.	8VM0201		
APPROVED	CHECKED	DESIGNED	DRAWN	CUST NO.	Tolerance
		Kind	Kind		X. ±0.50
		2009.08.22	2009.08.22		UNIT: mm
				SHEET: 01/01	X.XX ±0.10
				REV.: D	X° ±1°

X-ON Electronics

Largest Supplier of Electrical and Electronic Components

Click to view similar products for [Pluggable Terminal Blocks](#) category:

Click to view products by [Amphenol](#) manufacturer:

Other Similar products are found below :

[57.510.0053](#) [MC 1.5/ 6-ST-3.5 GY AU](#) [734-104](#) [734-302](#) [8-141-P](#) [8426620000](#) [860505](#) [860810](#) [GBPACX-12](#) [93.731.4953.0](#) [PV05-5,08-K](#)
[PVP04-3,50](#) [PVS02-5,00](#) [1-1986160-3](#) [1377680000](#) [1531000000](#) [1546228-5](#) [ELFH16150](#) [ELFP03110](#) [ELFP10210](#) [ELFT06250](#)
[ELVP03100](#) [1700410](#) [1700425](#) [1702246](#) [1717806](#) [1719600](#) [1734692](#) [1734795](#) [1740291](#) [1752441](#) [1752865](#) [1754144](#) [1760051](#) [1760336](#)
[1777701](#) [1783410](#) [1800227](#) [1801080](#) [1836888](#) [1848818](#) [1849079](#) [1860870](#) [1876327](#) [1896417](#) [1903096](#) [19346](#) [1946309](#) [1970579](#) [1973592](#)