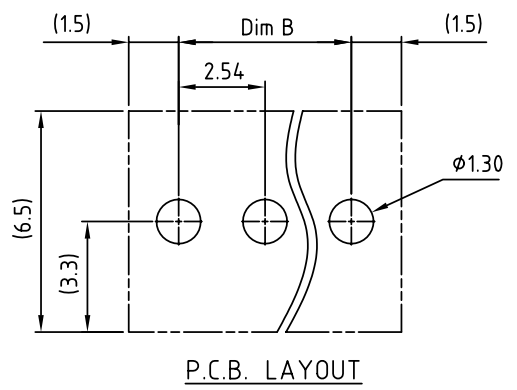
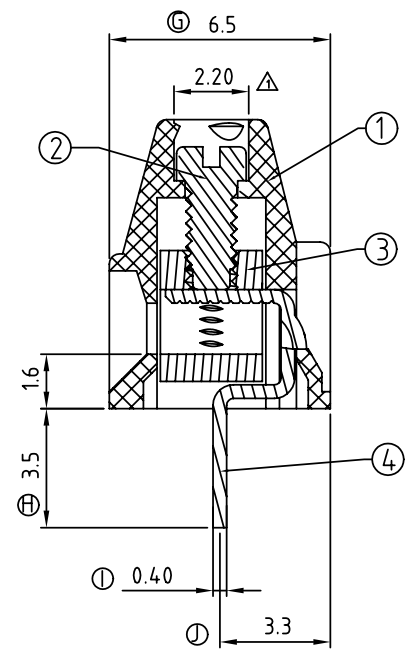
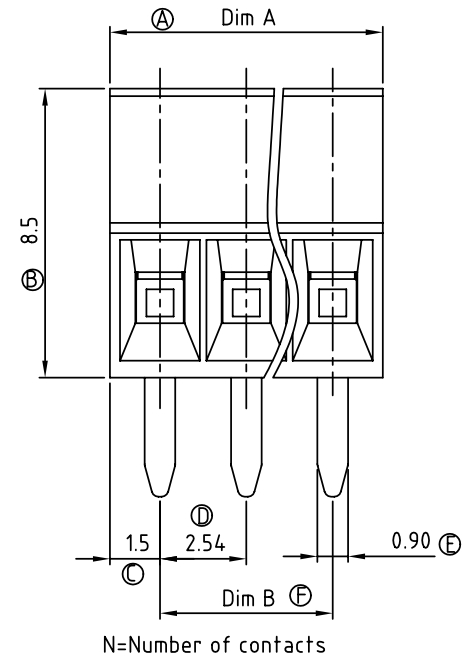
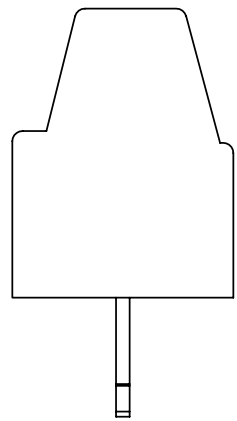


N = Number of poles  
 Dim A =  $N \times 2.54 + 0.4$   
 Dim B =  $(N - 1) \times 2.54$

	Dim A	Dim B
2-6p	±0.15	±0.10
7-12p	±0.20	±0.20
13-18p	±0.30	±0.25
19-24p	±0.40	±0.30



SIGN	DATE	DESCRIPTION	APPROVER
△	11/12'08	螺絲孔加大由 2.10 變更為 2.20	Kind
△	11/12'08	Voltage rating changed from 125V AC to 150V AC	Kind
△	11/12'08	Wire changed from 20-30AWG to 18-30AWG	Kind
△	11/12'08	Withstanding voltage changed from 1.25KV to 1.3KV	Kind

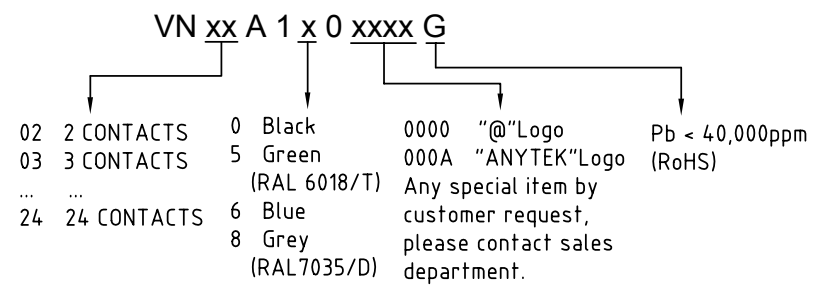
THIS IS CAD DRAWING, DO NOT REVISE MANUALLY!!!

Material

- Item 1 Terminal housing :PA66 ( UL94V-0 )
- Item 2 Terminal screw : Steel Zinc plating "-" slot type
- Item 3 Clamp : Brass, Ni plated
- Item 4 Wire guard solder pin (entry) : Brass, Tin plated

Electrical cULus

- △ ● Voltage rating: 150VAC
- Current rating: 6A
- Wire range:
- △ ● Solid wire(AWG): 18-30
- △ ● Stranded wire(AWG): 18-30
- Torque: 1.3Lb-In
- Screw: M1.6
- Wire strip length: 4-5mm
- △ ● Withstanding Voltage: 1.3KV
- Operating temperature: -40°C to +115°C
- Soldering temperature: 250°C±10°C/5 Sec
- Safety Approval: cULus



<b>ANYTEK</b>				<b>CUSTOMER COPY</b>									
								ALL RIGHTS RESERVED. REPRODUCTION OR ISSUE TO THIRD PARTIES IN ANY FORM WHATSOEVER IS NOT PERMITTED WITHOUT WRITTEN AUTHORITY FROM THE PROPRIETOR. PROPERTY OF ANYTEK TECHNOLOGY CO., LTD					
TITLE		VN 2.54mm Series				PART NO.		VNxxA1x0xxxxG		DWG NO.		8VN0001	
APPROVED		CHECKED		DESIGNED		DRAWN		CUST NO.				Tolerance	
				Kind 2008.11.12		Kind 2008.11.12						UNIT: mm	
										SCALE: NONE		X.X ±0.30	
										SHEET: 01/01		REV.: E	
										X.XX ±0.10		X° ±1°	

## X-ON Electronics

Largest Supplier of Electrical and Electronic Components

*Click to view similar products for [Fixed Terminal Blocks](#) category:*

*Click to view products by [Amphenol](#) manufacturer:*

Other Similar products are found below :

[MBE-1512](#) [MBE-1520](#) [MBE-154](#) [MBE-156](#) [MBES-156](#) [MH-2512](#) [MHE-132](#) [MHE-163](#) [MI-254 \(35\)](#) [MI-272](#) [MPT-275](#) [ELM10110G](#)  
[BA311TU](#) [BA411SU](#) [MV-253/NCNOC](#) [MV-254-D](#) [MV-255](#) [MV-493](#) [MVE-252](#) [MVE-253](#) [MVE-273](#) [MVEB-153](#) [1700096](#) [1705142](#)  
[1712417](#) [1713088](#) [1745195](#) [1760594](#) [1-796689-8](#) [1-796692-6](#) [1800114](#) [20020314-C121B01LF](#) [20020316-G041B01LF](#) [KP03215000J0G](#)  
[KP04215000J0G](#) [S451](#) [29.007](#) [29.116](#) [30.103](#) [30.106](#) [30.503](#) [30.608](#) [30.755](#) [30.756](#) [30.853](#) [9872-0-00-15-00-00-33-0](#) [996750](#) [1706303](#)  
[1710052](#) [1712418](#)