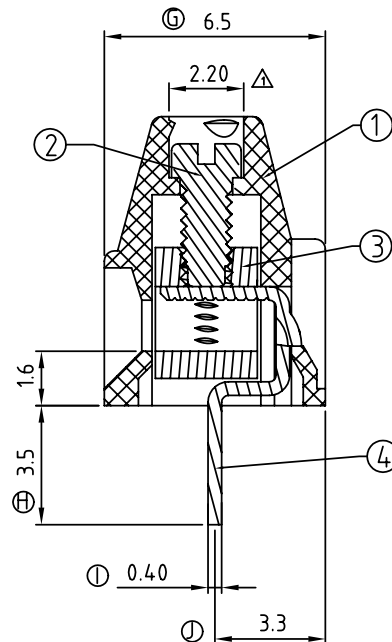
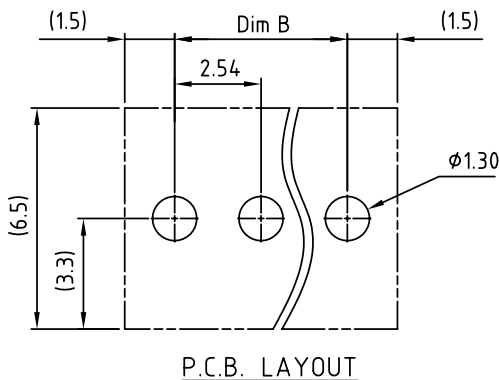
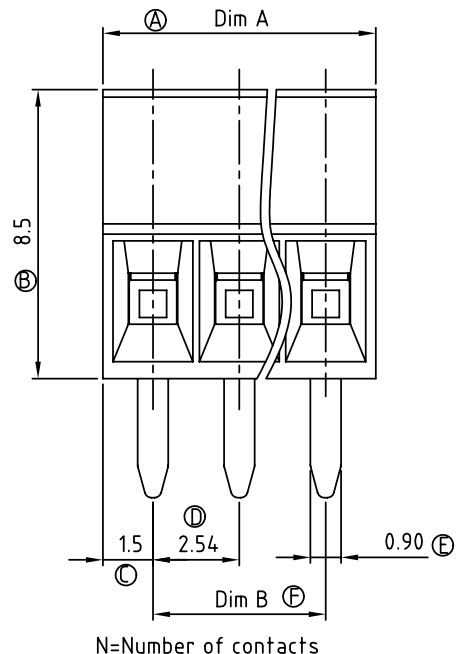
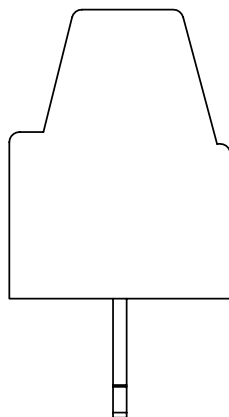
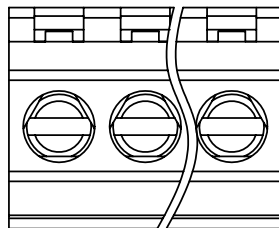


N = Number of poles
 Dim A = $N \times 2.54 + 0.4$
 Dim B = $(N - 1) \times 2.54$

	Dim A	Dim B
2-6p	±0.15	±0.10
7-12p	±0.20	±0.20
13-18p	±0.30	±0.25
19-24p	±0.40	±0.30



SIGN	DATE	DESCRIPTION	APPROVER
△	11/12'08	螺絲孔加大由 2.10 變更為 2.20	Kind
△	11/12'08	Voltage rating changed from 125V AC to 150V AC	Kind
△	11/12'08	Wire changed from 20-30AWG to 18-30AWG	Kind
△	11/12'08	Withstanding voltage changed from 1.25KV to 1.3KV	Kind

THIS IS CAD DRAWING, DO NOT REVISE MANUALLY!!!

Material

- Item 1 Terminal housing :PA66 (UL94V-0)
- Item 2 Terminal screw : Steel Zinc plating "-" slot type
- Item 3 Clamp : Brass, Ni plated
- Item 4 Wire guard solder pin (entry) : Brass, Tin plated

Electrical cULus

- △ ● Voltage rating: 150VAC
- Current rating: 6A
- Wire range:
 - △ ● Solid wire(AWG): 18-30
 - △ ● Stranded wire(AWG): 18-30
- Torque: 1.3Lb-In
- Screw: M1.6
- Wire strip length: 4-5mm
- △ ● Withstanding Voltage: 1.3KV
- Operating temperature: -40°C to +115°C
- Soldering temperature: 250°C±10°C/5 Sec
- Safety Approval: cULus

VN xx A 1 x 0 xxxx G

02	2 CONTACTS	0	Black	0000	"@"Logo	Pb < 40,000ppm
03	3 CONTACTS	5	Green (RAL 6018/T)	000A	"ANYTEK"Logo	(RoHS)
...	...	6	Blue	Any special item by customer request, please contact sales department.		
24	24 CONTACTS	8	Grey (RAL 7035/D)			

ANYTEK

CUSTOMER COPY

ALL RIGHTS RESERVED. REPRODUCTION OR ISSUE TO THIRD PARTIES IN ANY FORM WHATSOEVER IS NOT PERMITTED WITHOUT WRITTEN AUTHORITY FROM THE PROPRIETOR. PROPERTY OF ANYTEK TECHNOLOGY CO., LTD

TITLE		VN 2.54mm Series			DWG NO.		8VN0001	
PART NO.		VNxxA1x0xxxxG			CUST NO.			
APPROVED	CHECKED	DESIGNED	DRAWN			Tolerance		
		Kind	Kind			UNIT: mm	X. ±0.50	
		2008.11.12	2008.11.12			SCALE: NONE	X.X ±0.30	
SHEET: 01/01						REV.: E	X.XX ±0.10	
							X° ±1°	

X-ON Electronics

Largest Supplier of Electrical and Electronic Components

Click to view similar products for [Pluggable Terminal Blocks](#) category:

Click to view products by [Amphenol](#) manufacturer:

Other Similar products are found below :

[57.510.0053](#) [MC 1.5/ 6-ST-3.5 GY AU](#) [734-104](#) [734-302](#) [8-141-P](#) [8426620000](#) [860505](#) [860810](#) [GBPACX-12](#) [93.731.4953.0](#) [PV05-5,08-K](#)
[PVP04-3,50](#) [PVS02-5,00](#) [1-1986160-3](#) [1377680000](#) [1531000000](#) [1546228-5](#) [ELFH16150](#) [ELFP03110](#) [ELFP10210](#) [ELFT06250](#)
[ELVP03100](#) [1700410](#) [1700425](#) [1702246](#) [1717806](#) [1719600](#) [1734692](#) [1734795](#) [1740291](#) [1752441](#) [1752865](#) [1754144](#) [1760051](#) [1760336](#)
[1777701](#) [1783410](#) [1800227](#) [1801080](#) [1836888](#) [1848818](#) [1849079](#) [1860870](#) [1876327](#) [1896417](#) [1903096](#) [19346](#) [1946309](#) [1970579](#) [1973592](#)