

SIGN	DATE	DESCRIPTION	APPROVER
△	4/01'09	Current, wire range, torque, safety approval are changed	Jody
△	11/17'09	Wire guard solder pin is changed from Brass to Copper	Aaron

THIS IS CAD DRAWING, DO NOT REVISE MANUALLY!!!

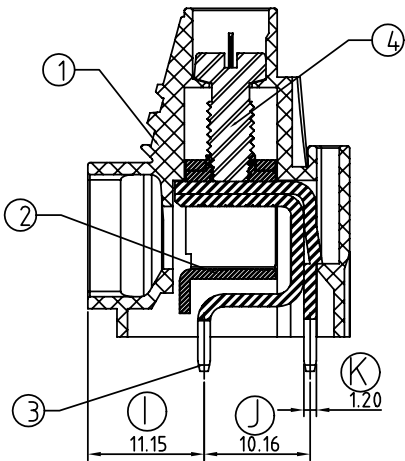
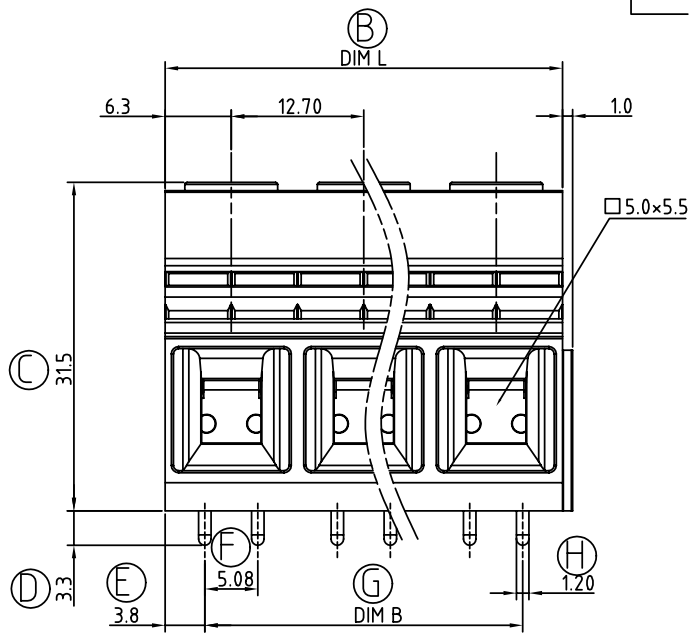
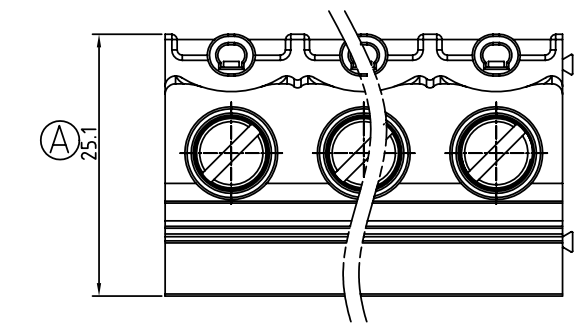
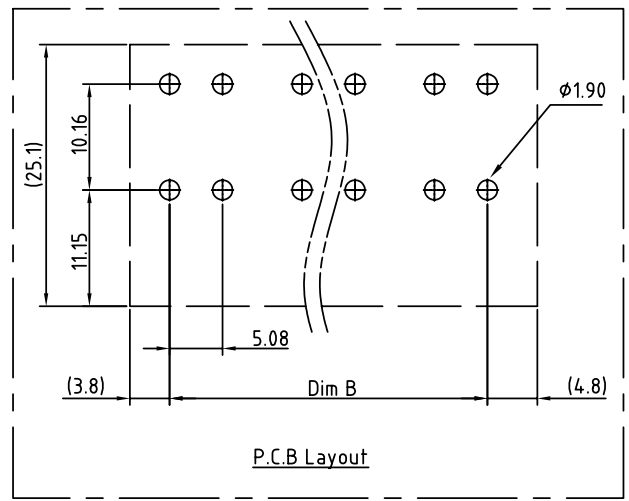
Material:

- Item 1 Terminal housing :Thermoplastic (UL 94V-0)
- Item 2 Clamp : Steel stamping , Zinc plated
- △ ● Item 3 Wire guard solder pin : Copper, Tin plated
- Item 4 Terminal screw: Steel Zinc plating"-slot type

- Electrical cULs IEC
- Voltage rating : 300V 1000V
 - △ ● Current rating : 65A 76A
 - Wire range : 16.00mm²
 - Solid wire (AWG) : 6-20
 - Stranded wire (AWG) : 6-20
 - △ ● Torque (LB-In.) : 12Lb.In
 - Screw : M4.5
 - Wire strip length : 10-11mm
 - △ ● Withstanding voltage : 1.6KV 6KV
 - Operating temperature : -40°C+115°C
 - Soldering temperature : 250°C+10°C/5 Sec
 - △ ● Safety Approval : US

VP xx 85 x 5 xxxx G

- | | | | |
|----------------|-----------------------|------------------------|--------------|
| 02 2 CONTACTS | 0: Black | 0000 Standard @ Logo | RoHS |
| 03 3 CONTACTS | 5: Green (RAL 6018/T) | 000A Standard ANY Logo | Pb<40,000ppm |
| | 6: Blue | Any special item by | |
| 12 12 CONTACTS | 8: Grey (RAL 7035/D) | customer request, | |
| | | please contact sales | |
| | | department. | |



Poles	02	03	04	05	06	07	08	09	10	11	12
Dim L	25.40	38.10	50.80	63.50	76.20	88.90	101.60	114.30	127.0	139.70	152.40
Dim B	17.78	30.48	43.18	55.88	68.58	81.28	93.98	106.68	119.38	132.08	144.78
TOL	±0.15			±0.20			±0.30				

ANYTEK				CUSTOMER COPY			
<small>ALL RIGHTS RESERVED. REPRODUCTION OR ISSUE TO THIRD PARTIES IN ANY FORM WHATSOEVER IS NOT PERMITTED WITHOUT WRITTEN AUTHORITY FROM THE PROPRIETOR. PROPERTY OF ANYTEK TECHNOLOGY CO., LTD</small>							
TITLE		VP 12.70 Series (Double tail) Contacts Pin Pitch 5.08mm					
PART NO.		VPxx85x5xxxxG			DWG NO.		8VP0101
APPROVED	CHECKED	DESIGNED	DRAWN	CUST NO.		Tolerance	
		Aaron	Aaron			UNIT: mm	X. ±0.50
		2009.11.17	2009.11.17			SCALE: NONE	X.X ±0.30
				SHEET: 01/01		REV: D	X.XX ±0.10
							X° ±1°

X-ON Electronics

Largest Supplier of Electrical and Electronic Components

Click to view similar products for [Fixed Terminal Blocks](#) category:

Click to view products by [Amphenol](#) manufacturer:

Other Similar products are found below :

[MBE-1512](#) [MBE-1520](#) [MBE-154](#) [MBE-156](#) [MBES-156](#) [MH-2512](#) [MHE-132](#) [MHE-163](#) [MI-254 \(35\)](#) [MI-272](#) [MPT-275](#) [ELM10110G](#)
[BA311TU](#) [BA411SU](#) [MV-253/NCNOC](#) [MV-254-D](#) [MV-255](#) [MV-493](#) [MVE-252](#) [MVE-253](#) [MVE-273](#) [MVEB-153](#) [1700096](#) [1705142](#)
[1712417](#) [1713088](#) [1745195](#) [1760594](#) [1-796689-8](#) [1-796692-6](#) [1800114](#) [20020314-C121B01LF](#) [20020316-G041B01LF](#) [KP03215000J0G](#)
[KP04215000J0G](#) [S451](#) [29.007](#) [29.116](#) [30.103](#) [30.106](#) [30.503](#) [30.608](#) [30.755](#) [30.756](#) [30.853](#) [9872-0-00-15-00-00-33-0](#) [996750](#) [1706303](#)
[1710052](#) [1712418](#)