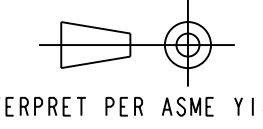


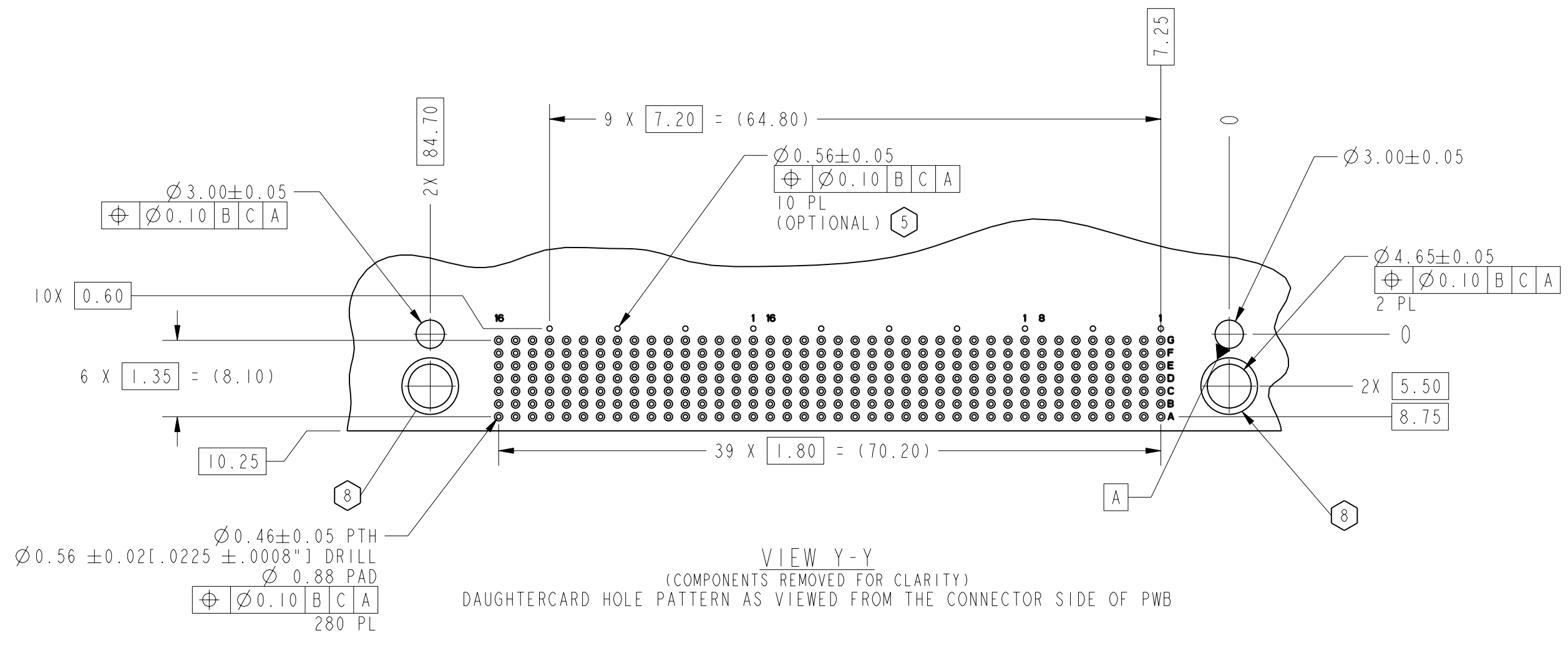
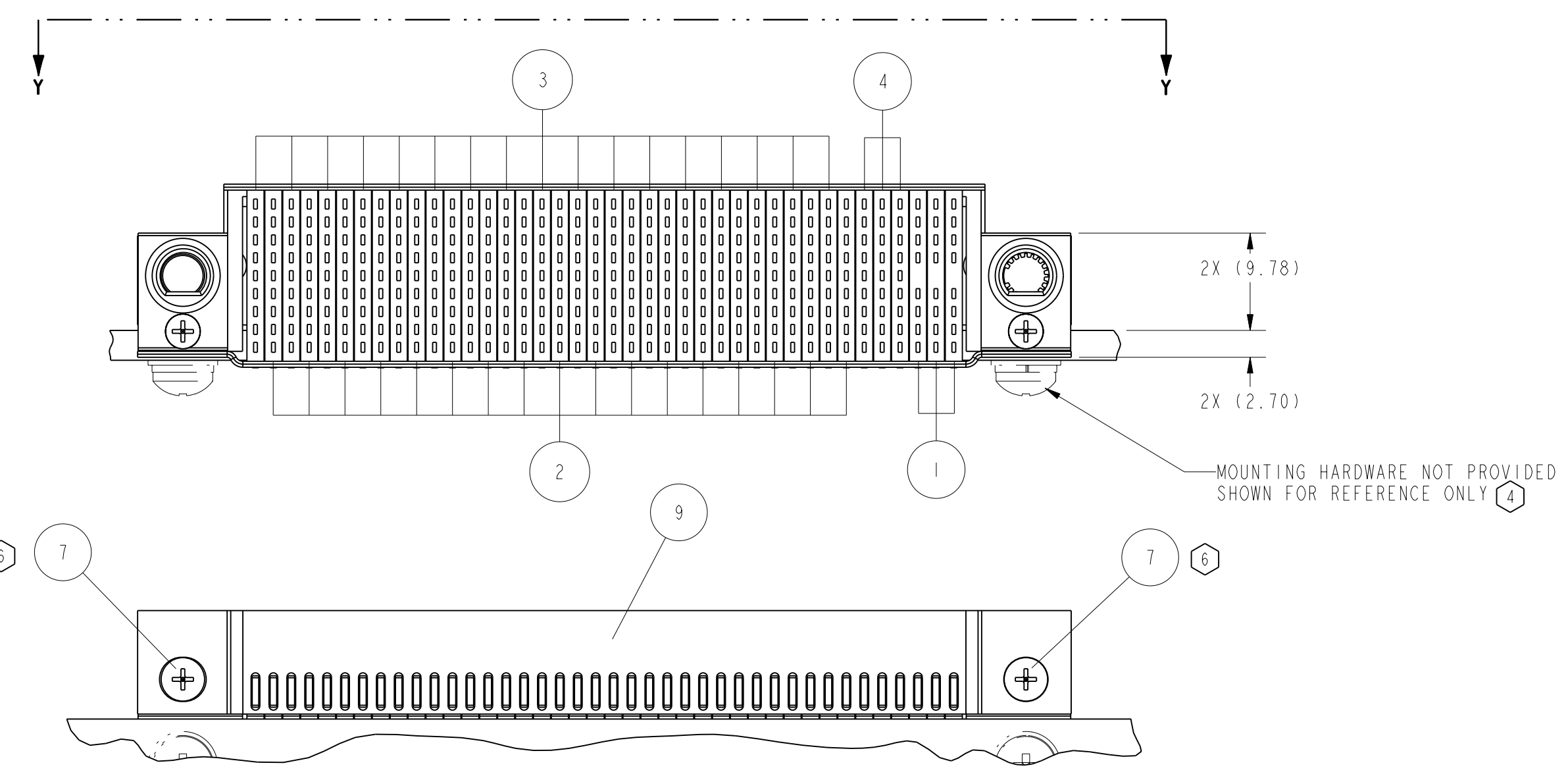
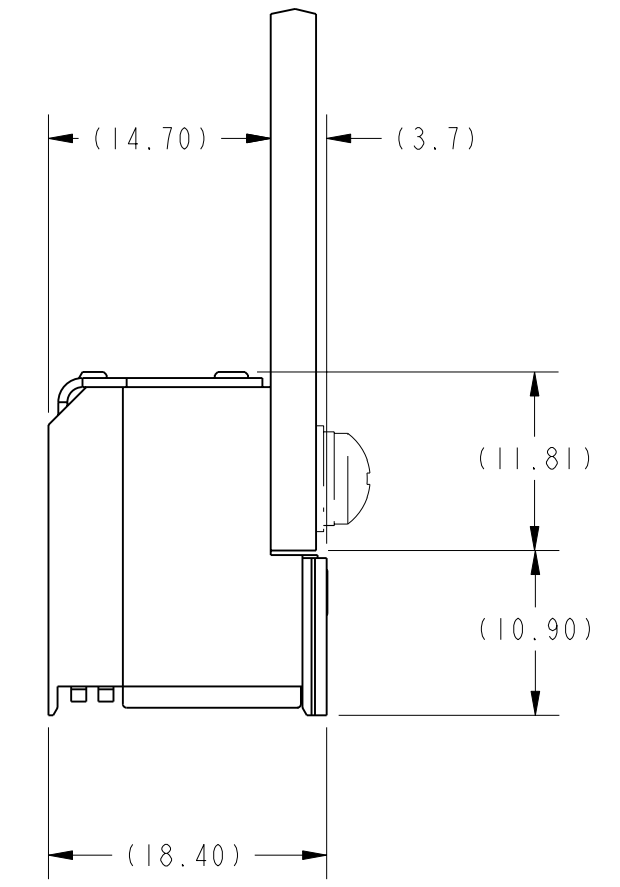
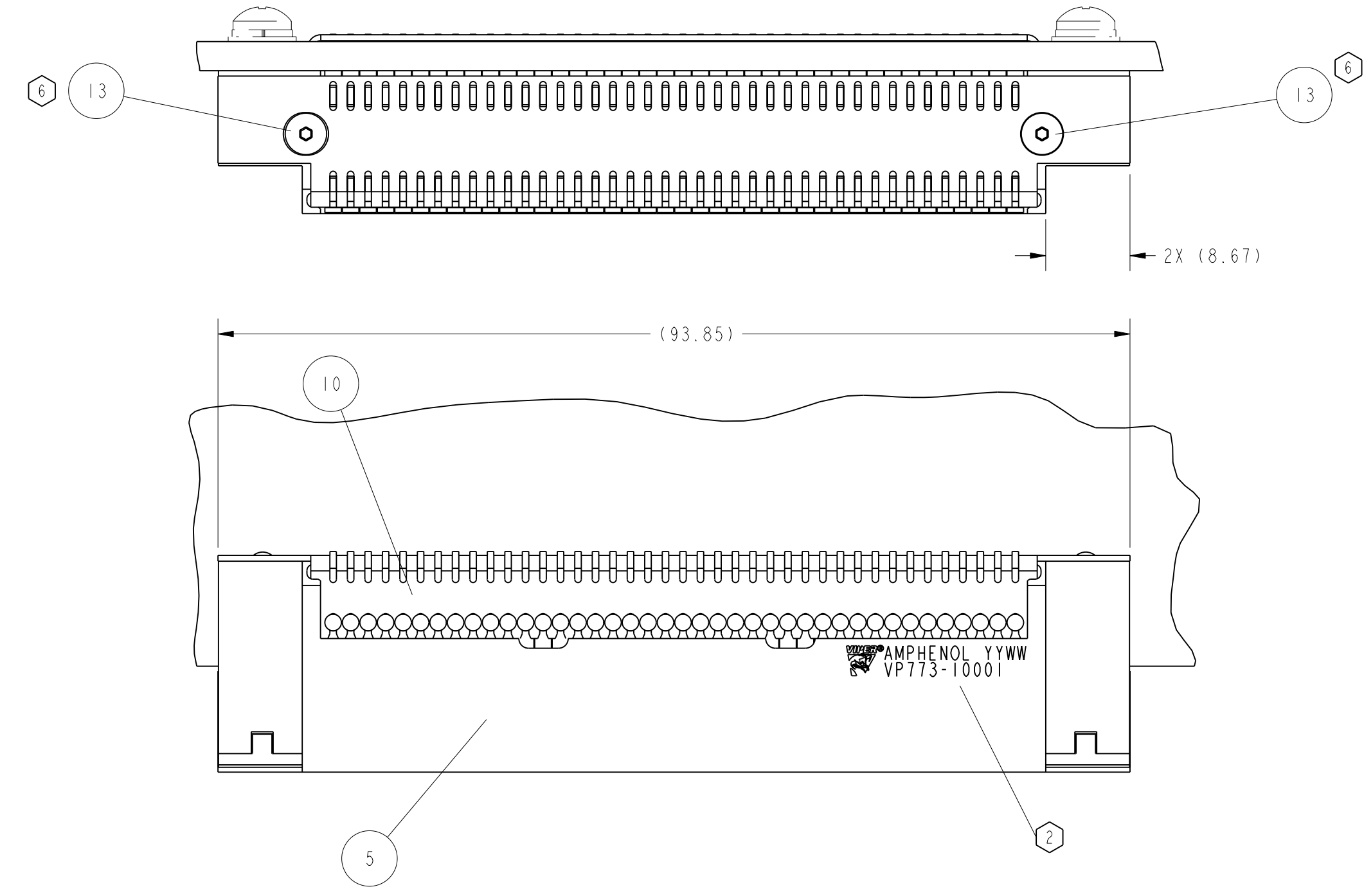
REV	SCR NO.	DESCRIPTION	BY	DATE	APPROVED
-	55192	NEW RELEASE	T.D.	01/15/10	H. COOK
A	55290	UPDATED TO REFLECT NEW MATING PART NUMBERS, MADE ALL DIMENSIONS REFERENCE	B.B.	04/28/10	H. COOK

- NOTES:
- REFER TO FOLLOWING TECH BULLETINS FOR VIPER PRODUCT SPECIFICATIONS:  
 TB-2094: VIPER GENERAL PRODUCT SPECIFICATION  
 TB-2095: VIPER CONNECTOR QUALIFICATION PLAN SUMMARY  
 TB-2096: VIPER SIGNAL INTEGRITY CHARACTERIZATION REPORT  
 TB-2097: VIPER SIGNAL TRACE ROUTING GUIDELINES BACKPLANE AND DAUGHTERCARD  
 TB-2098: INSTALLATION OF RIGHT-ANGLE PRESSFIT VIPER DAUGHTERCARD CONNECTORS  
 TB-2099: VIPER CONNECTOR REPAIR PROCEDURES  
 TB-2100: VIPER BACKPLANE CONNECTOR PRESS-FIT INSTALLATION PROCESS
  - PART MARKING AS FOLLOWS:  
 FONT: 1.52 (.06") HIGH HELVETICA  
 LOGO HEIGHT 3.81 (.15") PLACED APPROXIMATELY WHERE SHOWN  
 LINE 1: "AMPHENOL" AND DATECODE (YYWW)  
 LINE 2: MODULE PART NUMBER VP773-10001
  - ALL GROUNDS WITHIN EACH SIGNAL WAFER ARE BUSSED TOGETHER.
  - DUE TO DAUGHTERCARD THICKNESS VARIATIONS, M3 X 0.5 DAUGHTERCARD MOUNTING HARDWARE NOT INCLUDED. SCREW MUST NOT PROTRUDE MORE THAN 2.50 MILLIMETERS (.098") BEYOND MOUNTING SURFACE OF DAUGHTERCARD TO AVOID GUIDE PIN INTERFERENCE.
  - THESE HOLES ARE REQUIRED TO SUPPORT VITA 46 PRODUCT SPECIFICATION AND ARE NOT REQUIRED FOR VIPER PRODUCT LINE TO BE INSTALLED.
  - AFTER KEYING AND/OR REPAIR, LOCTITE 222-MS (P/N 22231) THREAD SEALER RECOMMENDED FOR HARDWARE RETENTION.
  - KEYING TO BE SPECIFIED BY CUSTOMER WHEN ORDERING. IF NO KEYING SPECIFIED KEYS ARE BAGGED AND SHIPPED UNASSEMBLED WITH CONNECTOR.
  - Ø6.00 GROUND PAD ON BOTH SIDES OF THE BOARD.
  - MATES WITH VJ773-10001.

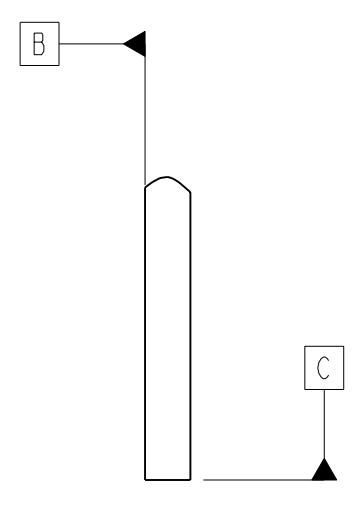
DAUGHTER CARD PARTS LIST

ITEM	PART NUMBER	DESCRIPTION	MATERIAL/PLATING	QTY
1	746-2023-000	POWER WAFER	INSULATOR: LCP UL94 V0 PER MIL-M-24519 CONTACTS: OLIN C7025 TMO3 PLATING: 50µ IN. GOLD OVER 150µ IN. NICKEL TIN-LEAD PLATING ON COMPLIANTS	3
2	746-2025-000	ODD DIFFERENTIAL WAFER	INSULATOR: LCP UL94 V0 PER MIL-M-24519 CONTACTS: OLIN C7025 TMO3 PLATING: 50µ IN. GOLD OVER 150µ IN. NICKEL TIN-LEAD PLATING ON COMPLIANTS	17
3	746-2026-000	EVEN DIFFERENTIAL WAFER	INSULATOR: LCP UL94 V0 PER MIL-M-24519 CONTACTS: OLIN C7025 TMO3 PLATING: 50µ IN. GOLD OVER 150µ IN. NICKEL TIN-LEAD PLATING ON COMPLIANTS	17
4	746-2024-000	SINGLE ENDED WAFER	INSULATOR: LCP UL94 V0 PER MIL-M-24519 CONTACTS: OLIN C7025 TMO3 PLATING: 50µ IN. GOLD OVER 150µ IN. NICKEL TIN-LEAD PLATING ON COMPLIANTS	3
5	846-0070-000	3U DC CONNECTOR FRAME	STAINLESS STEEL, TYPE 303, PASSIVATED	1
6	800-7221-100	ESD GROUNDING SLEEVE	CDA172, B+CU; GOLD OVER NICKEL PLATING	1
7	800-7216-100	2-56 FLATHEAD 100" SCREW	300 SERIES STAINLESS STEEL	2
8	800-7291-100	1-64 FLATHEAD 82" SCREW	300 SERIES STAINLESS STEEL	2
9	846-0071-000	FRONT STIFFENER	STAINLESS STEEL, TYPE 301, 1/2 HARD FINISH: MIL 2B	1
10	846-0072-000	BACK STIFFENER	STAINLESS STEEL, TYPE 301, 1/2 HARD FINISH: MIL 2B	1
11	846-0104-000	DC KEY BUSHING	STAINLESS STEEL, TYPE 440, PASSIVATED	2
12	846-0073-000	GUIDANCE/KEYING END CAPS	STAINLESS STEEL, TYPE 440, PASSIVATED	2
13	800-7621-100	1-72 FLATHEAD X .25 L HEX DRIVE	STEEL BLACK OXIDE FINISH	2

PROENGINEER PART	TOLERANCES	DWN 01/04/10 T. DOUCET	<b>Amphenol Corporation</b> AMPHENOL BACKPLANE SYSTEMS NASHUA, NH 03063 TITLE VIPER VARIANT "A" CONNECTOR, DAUGHTERCARD 3U CONFIGURATION
VIPER_DC_VARIANT-A.ASSEM	0.0 ±	CHK 07/14/10 R. CHIFFY	
PROENGINEER DRAWING	0.000 ±	APVD 07/15/10 H. COOK	
CVP77310001	ANGLES ±°	UNLESS OTHERWISE SPECIFIED DIMENSIONS ARE IN MILLIMETERS	PART NO. VP773-10001 DRAWING NO. C-VP773-10001 SIZE D   SCALE   2/1   SHEET 1 OF 4
 INTERPRET PER ASME Y14.5M CODE IDENT 55KX1	CUSTOMER USE DRAWING		REV A REV A

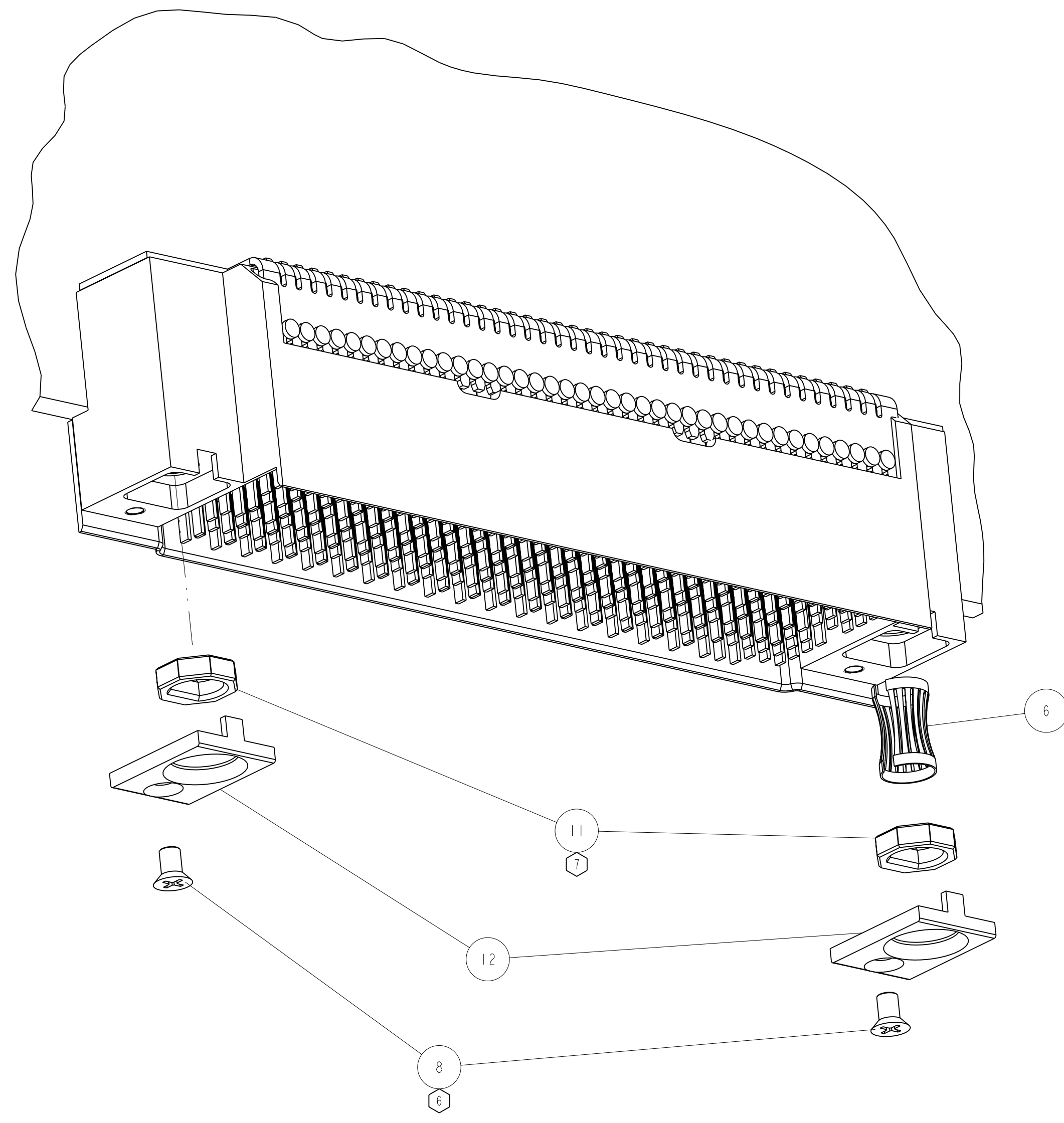


VIEW Y-Y  
(COMPONENTS REMOVED FOR CLARITY)  
DAUGHTERCARD HOLE PATTERN AS VIEWED FROM THE CONNECTOR SIDE OF PWB



CODE IDENT 55KX1

CUSTOMER USE DRAWING		PART NO.	VP773-10001	REV	A
		DRAWING NO.	C-VP773-10001	REV	A
SIZE	D	SCALE	2/1	SHEET	2 OF 4

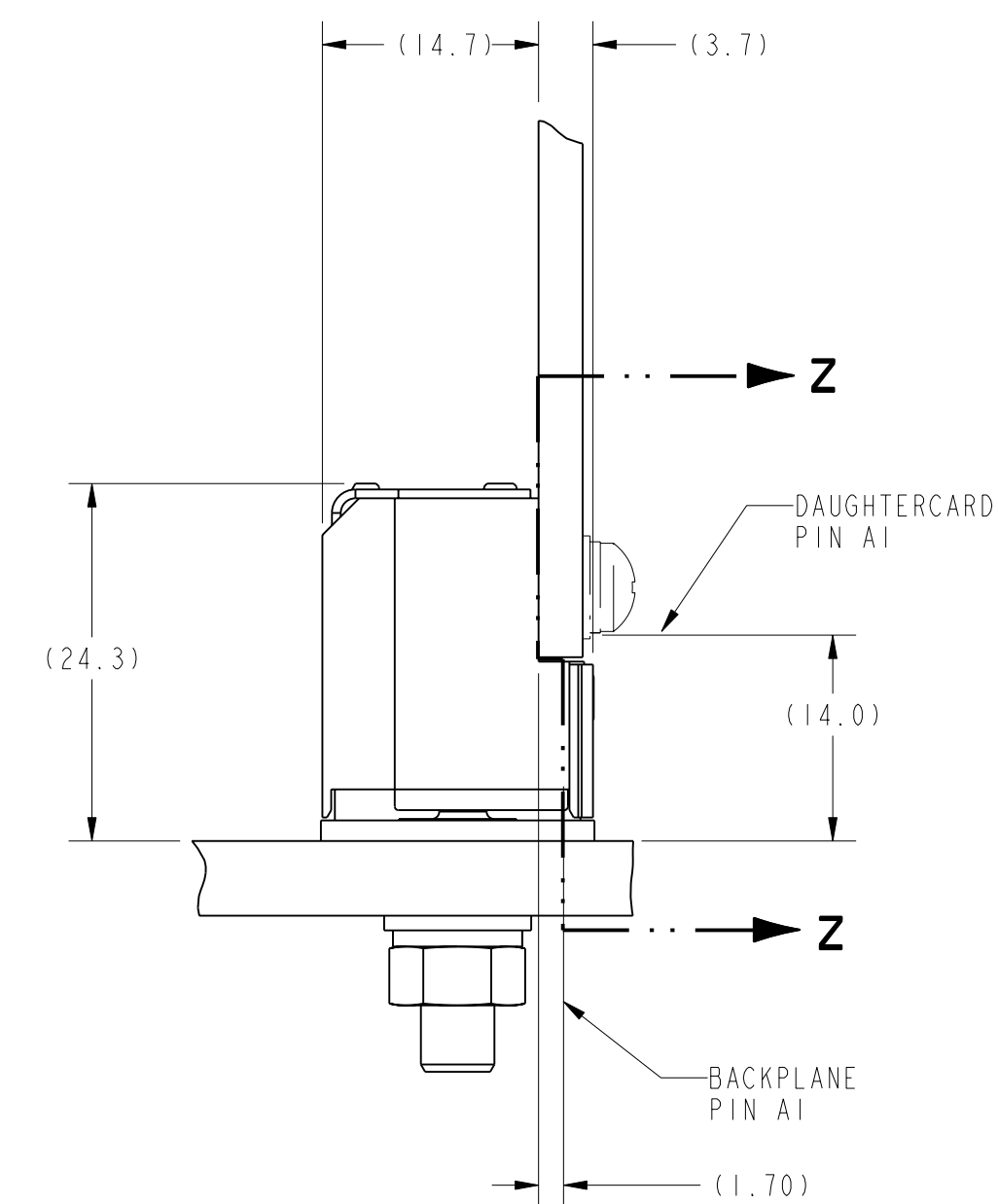
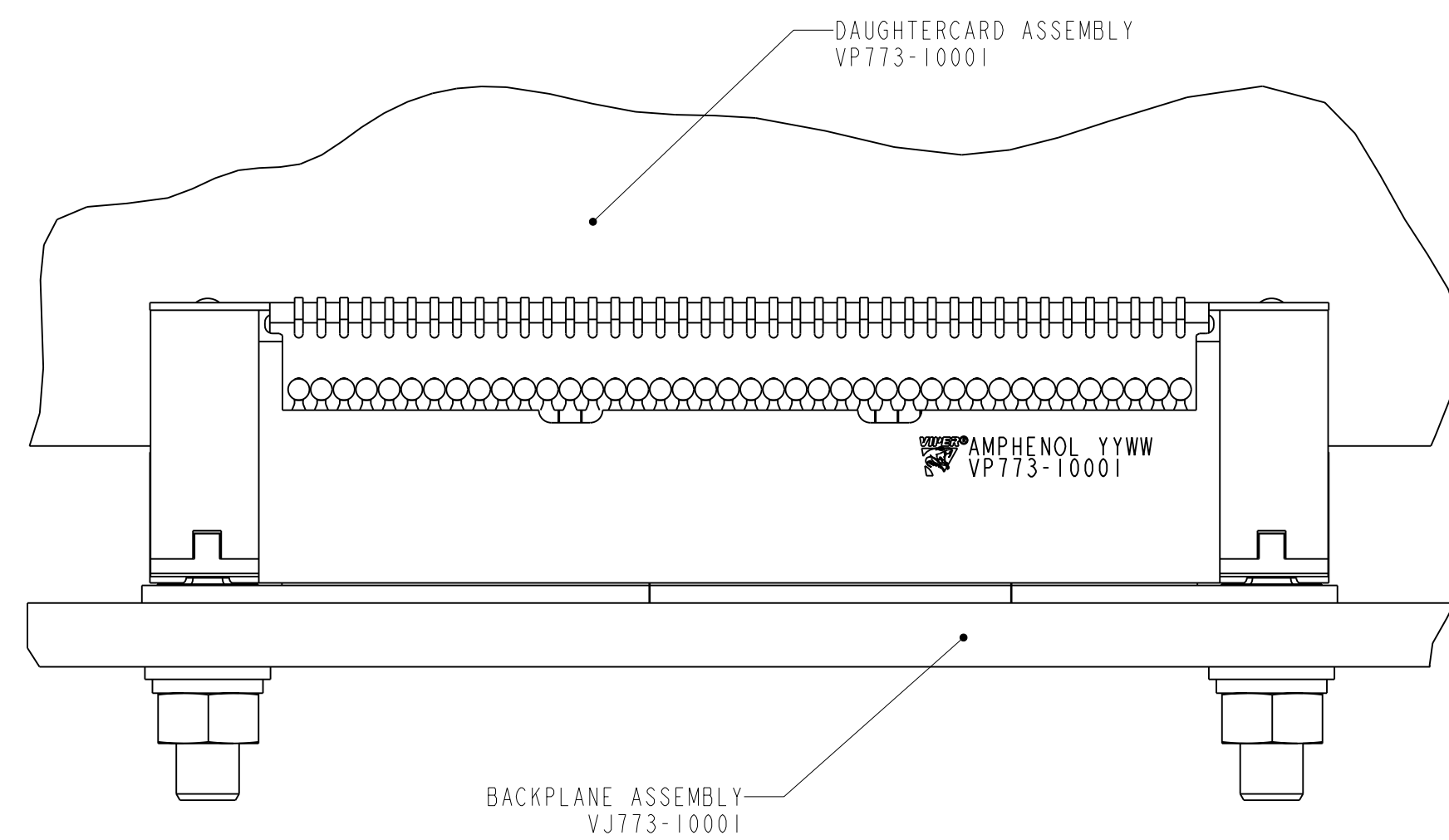


GUIDANCE / KEYING / ESD  
 HARDWARE EXPLODED VIEW  
 SCALE 3/1

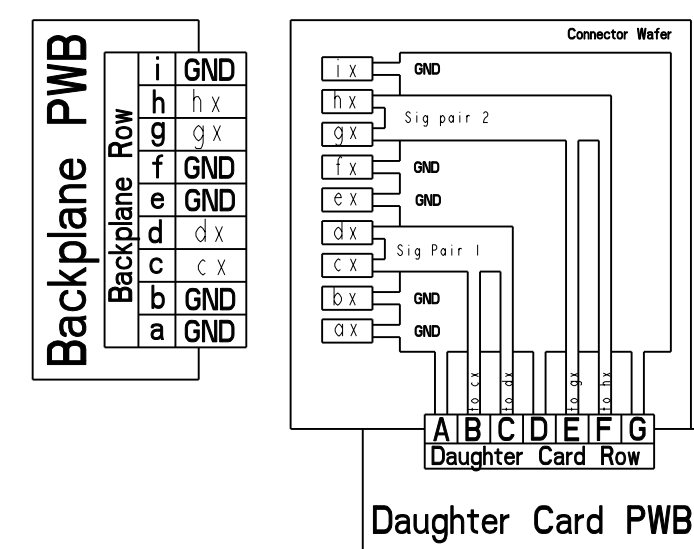
CODE IDENT 55KX1

CUSTOMER USE DRAWING		PART NO.	VP773-10001	REV	A
		DRAWING NO.	C-VP773-10001	REV	A
SIZE	D	SCALE	2/1	SHEET 3 OF 4	

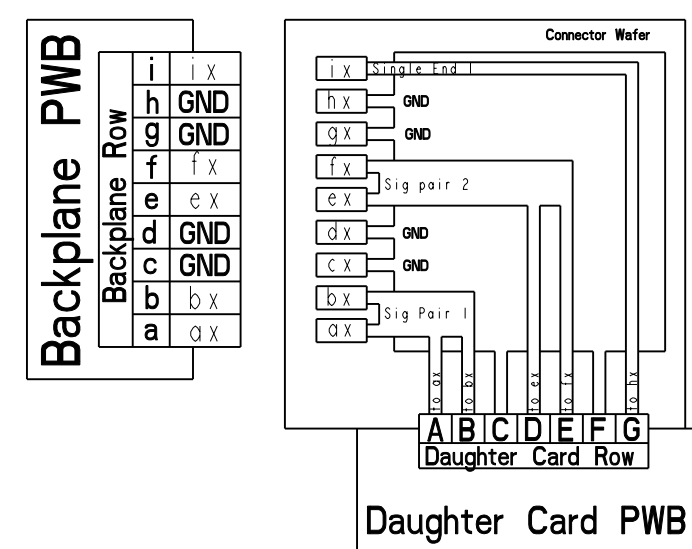
# MATED CONFIGURATION



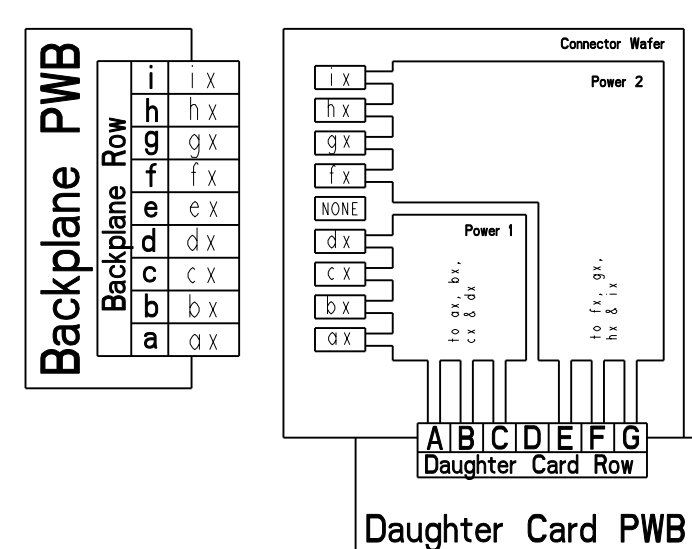
746-2026-000  
DIFFERENTIAL (EVEN) WAFER MAPPING



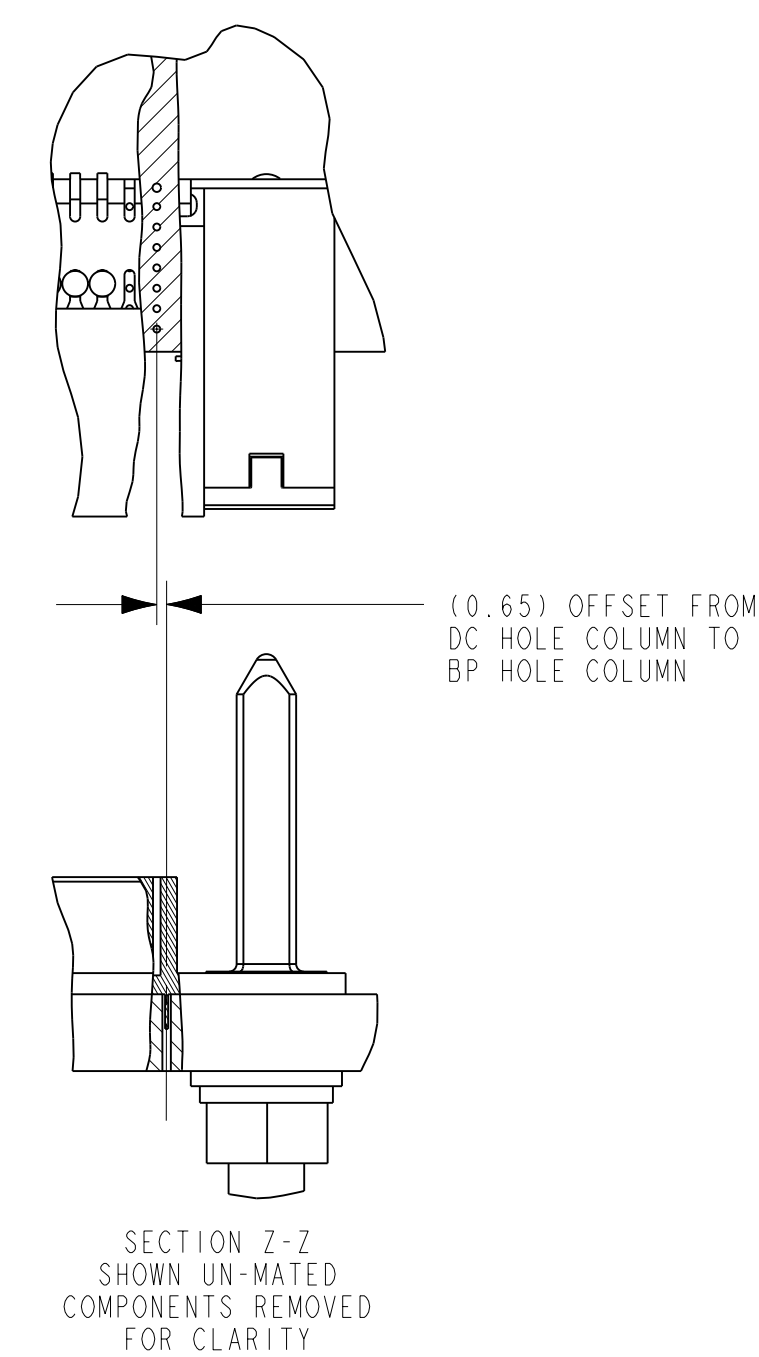
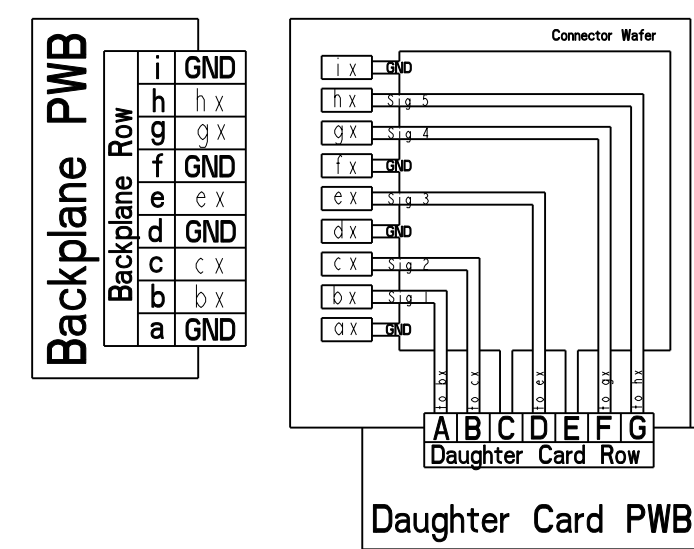
746-2025-000  
DIFFERENTIAL (ODD) WAFER MAPPING



746-2023-000  
POWER WAFER MAPPING



746-2024-000  
SINGLE ENDED WAFER MAPPING



CODE IDENT 55KX1

CUSTOMER USE DRAWING	PART NO.	REV
	VP773-10001	A
	DRAWING NO.	REV
C-VP773-10001	A	SIZE D   SCALE 2/1   SHEET 4 OF 4

DWG NO. C-VP773-10001 SH 4 REV A

## X-ON Electronics

Largest Supplier of Electrical and Electronic Components

*Click to view similar products for [High Speed/Modular Connectors](#) category:*

*Click to view products by [Amphenol](#) manufacturer:*

Other Similar products are found below :

[650827-1](#) [74040-1346](#) [1410191-1](#) [1410337-1](#) [1410368-3](#) [1410964-2](#) [1410326-3](#) [1410367-3](#) [1410971-4](#) [1467833-1](#) [2000877-1](#) [2000878-1](#)  
[2041314-1](#) [2065387-1](#) [2187307-1](#) [163P](#) [1934290-1](#) [2000875-1](#) [2065917-1](#) [2102736-2](#) [FSR-40](#) [2169868-2](#) [22354-8](#) [437-5040-000](#) [5-](#)  
[1393565-0](#) [039-0246-000](#) [0740618502](#) [0761601016](#) [10123159-12ELF](#) [030-2415-003/100 PK](#) [030-7380-004](#) [030-2494-001](#) [532939-1](#)  
[5532901-3](#) [3-1469268-7](#) [74748-102LF](#) [73670-0247](#) [10041743-101LF](#) [10066670-100002LF](#) [1-533915-1](#) [249-4515-000](#) [7-1469373-3](#) [DL2-](#)  
[2J/S](#) [2000713-8](#) [2000713-7](#) [3011-21](#) [757105208](#) [EBTF-4-10-2.0-S-RA-1](#) [430305-001](#) [4395800100](#)