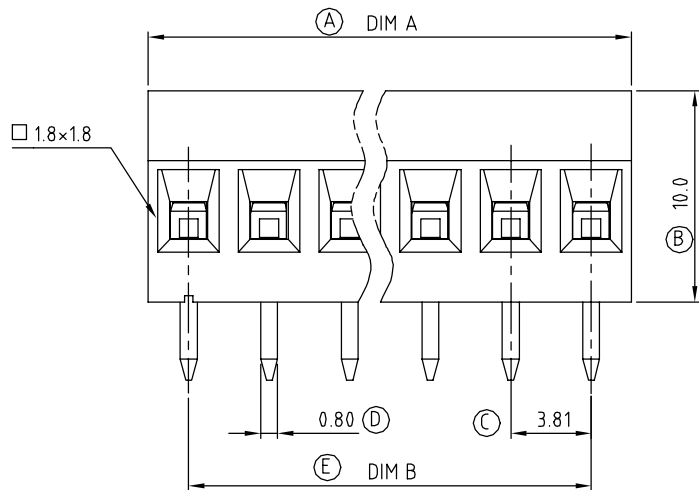


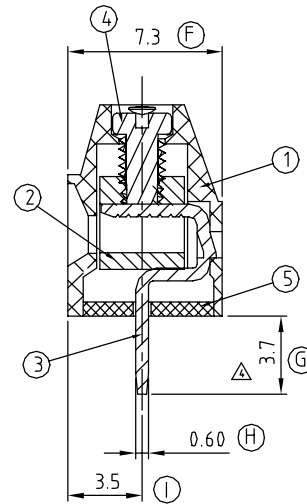
N= Number of Contacts

DIM A	N×3.81
DIM B	(N-1)×3.81

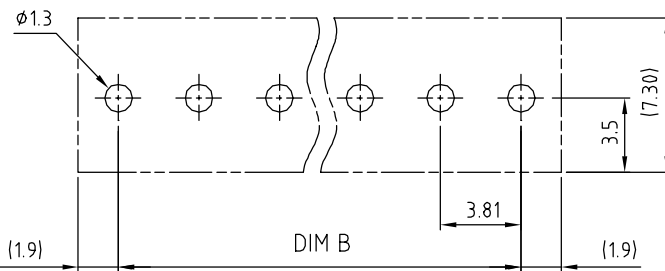
2p-6p	±0.15
7p-12p	±0.25
13p-19p	±0.35
20p-24p	±0.40



N= Number of Contacts



SECTION A-A



P.C.B. LAYOUT

SIGN	DATE	DESCRIPTION	APPROVER
△	01/30'07	Soldering temperature changed from 245° to 250°	Tason
△	01/30'07	Part NO is Changed	Tason
△	07/02'09	Operating temperature changed from -30°C to +105°C to -40°C to +115°C	Aaron
△	07/02'09	dimension is changed from 3.5mm to 3.7mm	Aaron
△	02/25'11	Add is cULus	Aaron

THIS IS CAD DRAWING, DO NOT REVISE MANUALLY!!!

Material:

- Item 1 Terminal housing :Thermoplastic (UL 94V-0)
- Item 2 Clamp : Brass, Ni plated
- Item 3 Wire guard solder pin : Brass, Tin plated
- Item 4 Terminal screw: Steel Zinc plating"-slot type
- Item 5 Terminal housing(cover):Thermoplastic (UL 94V-0)

Electrical: cULus

- Voltage rating: 300V
- Current rating: 10A
- Wire range:
- Solid wire(AWG): 16-30
- Stranded wire(AWG): 16-30
- Torque: 1.7 Lb-In
- Screw: M2
- Wire strip length: 5-6mm
- Withstanding Voltage: 1.6 KV
- △ ● Operating temperature: -40°C to +115°C
- △ ● Soldering temperature: 250°C±10°C/5 Sec
- △ ● Safety Approval:



△ VQ xx 31 x 0 xxxx G

No. of poles	0 Black (RAL9005)	0000:"@Logo (Standard)	RoHS Pb<40,000ppm
02 2 CONTACTS	5 Green(RAL6018/T)	000A:"ANYTEK"Logo	
03 3 CONTACTS	6 Blue (RAL5015/A)	Any special item by	
... ..	8 Grey(RAL7035/D)	customer request,	
24 24 CONTACTS	0 Green(RAL6018/U)	please contact sales	
		department.	

ANYTEK

CUSTOMER COPY

ALL RIGHTS RESERVED. REPRODUCTION OR ISSUE TO THIRD PARTIES IN ANY FORM WHATSOEVER IS NOT PERMITTED WITHOUT WRITTEN AUTHORITY FROM THE PROPRIETOR. PROPERTY OF ANYTEK TECHNOLOGY CO., LTD

TITLE	VQ 3.81 Dip solder Series (With cover)						
PART NO.	VQxx31x0xxxxG			DWG NO.	8VQ005		
APPROVED	CHECKED	DESIGNED	DRAWN	CUST NO.	Tolerance		
		Aaron 2011.02.25	Aaron 2009.07.02		X. ±0.50		
					X.X ±0.30		
					X.XX ±0.10		
					X° ±1°		
				SHEET: 01/01	UNIT: mm	SCALE: NONE	REV: D

X-ON Electronics

Largest Supplier of Electrical and Electronic Components

Click to view similar products for [Fixed Terminal Blocks](#) category:

Click to view products by [Amphenol](#) manufacturer:

Other Similar products are found below :

[MBE-1512](#) [MBE-1520](#) [MBE-154](#) [MBE-156](#) [MBES-156](#) [MH-2512](#) [MHE-132](#) [MHE-163](#) [MI-254 \(35\)](#) [MI-272](#) [MPT-275](#) [ELM10110G](#)
[BA311TU](#) [BA411SU](#) [MV-253/NCNOC](#) [MV-254-D](#) [MV-255](#) [MV-493](#) [MVE-252](#) [MVE-253](#) [MVE-273](#) [MVEB-153](#) [1700096](#) [1705142](#)
[1712417](#) [1713088](#) [1745195](#) [1760594](#) [1-796689-8](#) [1-796692-6](#) [1800114](#) [20020314-C121B01LF](#) [20020316-G041B01LF](#) [KP03215000J0G](#)
[KP04215000J0G](#) [S451](#) [29.007](#) [29.116](#) [30.103](#) [30.106](#) [30.503](#) [30.608](#) [30.755](#) [30.756](#) [30.853](#) [9872-0-00-15-00-00-33-0](#) [996750](#) [1706303](#)
[1710052](#) [1712418](#)