

To be read in conjunction with "Introduction to Pellistor Gas Sensors" and Pellistor Application Notes 1, 2, 3, 4, 6 and 7.

## FEATURES

- Highly poison resistant
- Low voltage
- For fixed systems

## INTRODUCTION

SGX Sensortech supplies a wide range of combustible gas sensors (pellistors) working on the catalytic oxidation principle. The VQ21T Series are members of the VQ21 range of high power, low voltage poison resistant detectors for general purpose application particularly for fixed point systems where the consideration of power consumption is not an overriding factor. It may be used to detect most flammable gases and vapours and, in particular, can detect methane in air mixtures with concentrations from 0.1% up to 5% (100%LEL).

SGX Sensortech made several major improvements to the structure of pellistor beads to reduce the susceptibility to catalyst poisoning which was a major failing of early pellistor structures. The structure of the VQ21 range represents the most poison resistant one available from any source. The VQ21T Series is particularly resistant to poisoning by the most serious poisons - the whole range of silicones. The VQ21T Series will provide several orders of magnitude longer life when compared with a standard VQ1 pellistor. A typical response of a VQ21T sensor when exposed to hexamethyldisiloxane vapour is shown on page 3.

## PRINCIPLE OF OPERATION

The detector consists of a fine coil of platinum wire embedded in a porous ceramic bead impregnated with a noble metal catalyst. The coil acts as an electrical heater and as a resistance thermometer. The bead is mounted on a header with connecting leads and is surrounded by a metal can with the end open to the atmosphere. If a flammable gas is present when the bead is heated to about 400°C to 500°C the gas will oxidise and the resultant release of energy will heat the bead still further. This increase in temperature is detected as an increase in resistance of the coil. The temperature of the coil is also affected by ambient temperature and by variations in thermal conductivity of the air caused by the possible presence of non-flammable gases such as carbon dioxide. To compensate for temperature changes not caused by the oxidation of the flammable gas a second, inert bead is used. This compensator consists of a ceramic bead made on a similar platinum coil and instead of containing a catalyst the ceramic surface is treated so that oxidation cannot take place. The two beads are mounted on separate headers, and known as the sensor pair which are then used in a circuit which detects the difference and change in their resistance when a flammable gas atmosphere is present.

## VQ21T Series Combustible Gas Sensor Elements

To obtain the best temperature performance it is sometimes necessary to connect a suitable fixed resistor in parallel with the compensator to correct for its higher slope resistance.

SGX Sensortech pellistors are supplied as a set of detector and compensator elements together with a resistor, all three carefully matched together to obtain the best performance.

## GENERAL DATA

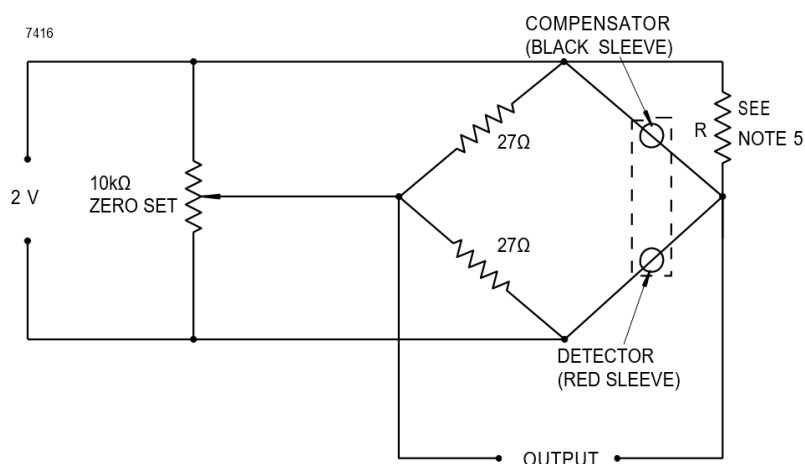
Gases detected	Flammable gases and vapors	
Expected operating life	>5 years	
Bridge supply voltage	2.0 + 0.1	V
Sensor current	300	mA typical
Sensor power consumption	750	mW max
Minimum sensitivity (note 1)	15	mV/%
Linearity	linear up to 3% CH4	
Response time (t <sub>50</sub> ) (note 2)	2 secs	Typical
Max. gas concentration (see note 3)	100%	LEL
Operational temperature	-40C to +70C	
Storage temperature	+10C to +25 C	
Pressure	1 Atm. +/-10%	
Humidity	0-80%RH (Non condensing)	
Orientation	Any	
Shock test (see note 4)	250 g, 5 blows in each plane	
Vibration test (see note 4)	20 g, 24 cycle, 100 to 3200 Hz	

## Operation

The output of a sensor is dependent on a complex combustion process established around the sensing beads. It is imperative that the layers of gas around the beads are not disturbed, otherwise the bead temperature and hence device output will change. Therefore the devices must be mounted in a draught-free environment. Ideally, the elements should be mounted symmetrically side by side with the open ends exposed to the gas being monitored.

The elements are supplied with 'O' rings so that gas-tight seals may be made between the elements and the mounting. As for all sensors operating on the catalytic oxidation principle, the sensor should be separated from the gas being monitored by a suitable flame arrestor. It is recommended that the sensor pair are run in a Wheatstone Bridge circuit so that a difference signal may be obtained. A suitable circuit is shown on page 2. In use, the bridge supply voltage should not be allowed to vary by more than the specified 0.1 V, or the output in clean air may change in sympathy.

## RECOMMENDED BRIDGE CIRCUIT



## MARKING

Each pair of elements carries a unique serial number. For devices supplied with PCB legs the number is written in red on the side of the detector can and in black on the compensator can.

## PRECAUTIONS

Do not apply more than 50% of the maximum bridge voltage to either element or otherwise there may be adverse effects on the stability of sensitivity and zero offset.

Although the VQ21T Series possesses a high degree of resistance to poisons, it will be affected by prolonged exposure. Additional protection may be provided by the use of activated carbon cloth filters, but users should be aware that, firstly, these filters will prevent high molecular weight flammable gases from reaching the detector, and, secondly, these filters require regular replacement to maintain their effectiveness.

## WARNING

To ensure safe operation and to satisfy the requirements of the recognised approval authorities. SGX recommends that a suitable sintered metal flame arrestor be used with the device.

## NOTES

1. The sensitivity is partially influenced by the flow of gas to the elements. Consequently, it is affected by the geometry of the mounting arrangements. The quoted figures were obtained in SGX standard test block, details of which are available on request.
2. The response time  $t_{50}$  is defined as the time required for the sensor to reach 50% of final signal level. The response time is dependent on the type of mounting used and therefore it may differ in use from the quoted values.

3. If the sensor has been exposed to greater than 100% LEL gas (while powered up), the instrument's calibration should be checked. Operating the sensor in such high gas concentrations can cause the deposition of carbon on the detector, with a consequent change in sensitivity and zero offset. Running the device in clean air for an extended period will usually restore normal operation.

4. Shock and vibration test results are dependent on customer mounting conditions and application.

5. The elements are supplied as a matched pair with a selected trimming resistor R. This resistor must be fitted in parallel with the compensator as shown.

## VARIANTS AND ORDERING INFORMATION

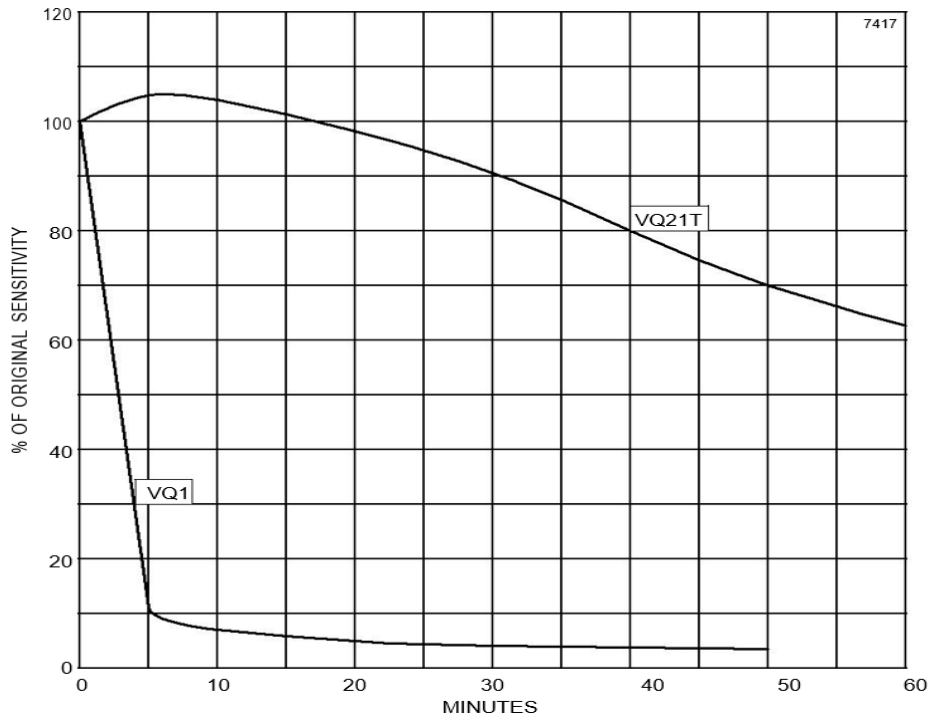
The VQ21T Series is available with a number of options. The variants are identified by adding suffices added to the basic type number. When ordering, the full type number with suffices must be used.

### OPTIONS INCLUDED

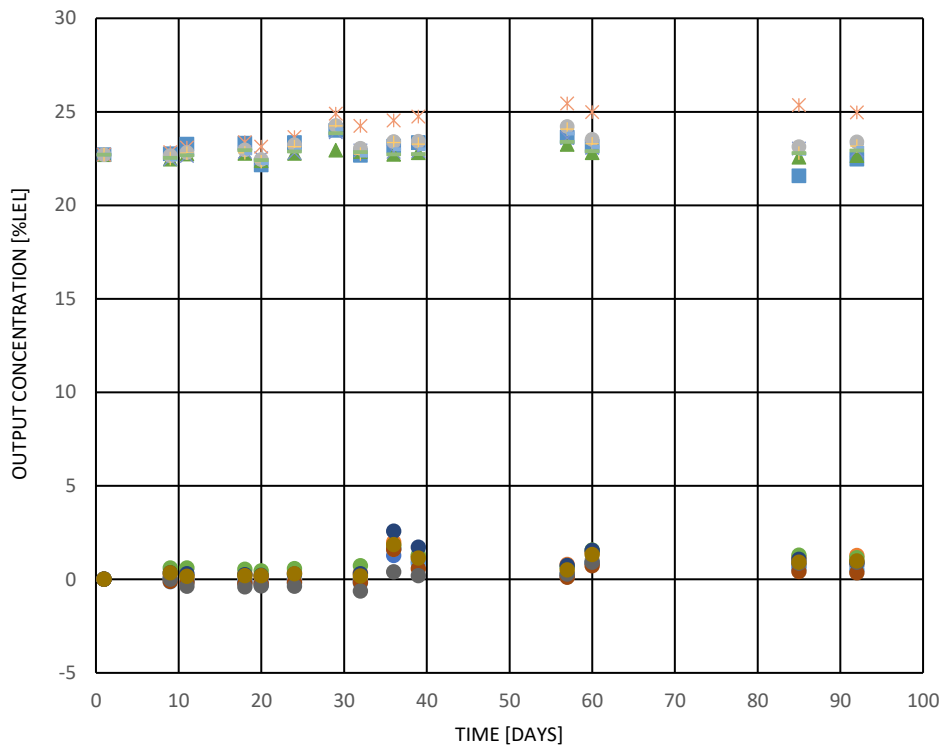
Type Number	PCB Legs	Hydrogen mods.
VQ21TB	•	
VQ21TSB	•	•

Other variants are available. Potential users are encouraged to discuss their applications in confidence with SGX sales and application engineers who will be able to suggest the most appropriate and economical solution to their particular requirements.

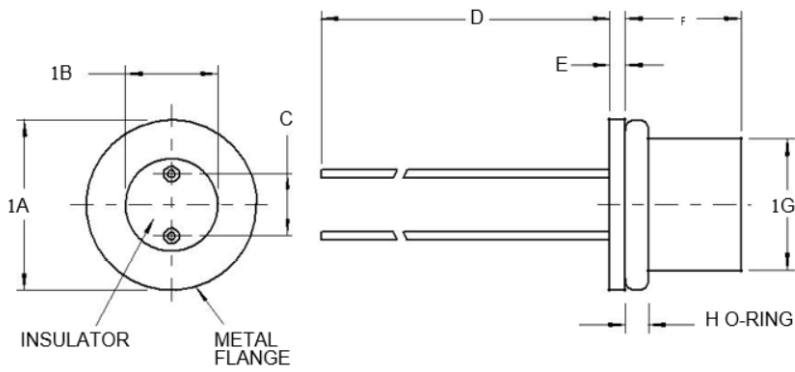
**TYPICAL RESPONSE OF VQ21T AND VQ1 WHEN EXPOSED TO 100ppm HEXAMETHYLDISILOXANE ATMOSPHERE IN 2.5% v/v METHANE**



**ZERO AND 1% v/v METHANE STABILITY (3 MONTH LIFETEST IN AIR)**



## OUTLINE OF VQ21TB AND VQ21TSB



Ref	Millimetres	Inches
	11.3 max	0.445 max
A	10.8 min	0.425 min
	6.35 max	0.250 max
B	5.85 min	0.230 min
	3.69 max	0.145 max
C	3.43 min	0.135 min
D	40.0 min	1.575 min
E	1.0 nom	0.039 nom
F	7.88 max	0.310 max
	6.86 min	0.270 min
G	8.2 max	0.323 max
H	1.5 nom	0.059 nom

**Inch dimensions have been derived from millimetres.**

## X-ON Electronics

Largest Supplier of Electrical and Electronic Components

*Click to view similar products for [Air Quality Sensors](#) category:*

*Click to view products by [Amphenol](#) manufacturer:*

Other Similar products are found below :

[GMS-MSTH2.S.V.3](#) [MO86571](#) [MO86561](#) [076074 01](#) [DE800.A.1](#) [MF010-2-LC1](#) [MF020-2-LC3](#) [KGZ10-5PIN](#) [GMS10SENSORS](#) [IR25TT](#)  
[208280-0001](#) [IR11BD](#) [IR11GM](#) [IR12GM](#) [IR21BD](#) [GMS10-18C](#) [KGZ12](#) [S-300L-3V-5000-SLEEP-UART](#) [MP7227-TC](#) [SGPC3-TR-2.5KS](#)  
[T6713-6H](#) [POLOLU-1482](#) [3.000.475](#) [3.000.496](#) [3.000.497](#) [HPMA115S0-XXX](#) [SGPC3-2.5k](#) [T3032-2-10K-24-P](#) [VQ6MB](#) [INIR-CD-5%](#)  
[VQ23TB](#) [IR11GJ](#) [VQ31MB](#) [IR11BR](#) [GP2Y1026AU0F](#) [VQ549ZD](#) [MHM501-00](#) [MHM500-00A](#) [MHM305-01](#) [MICS-4514](#) [VQ548ZD-S](#)  
[SEN-09403](#) [IR15TT](#) [MICS-5524](#) [MICS-5914](#) [MICS-2714](#) [INIR-ME-100%](#) [T8100-D](#) [VQ21TB](#) [IR21EJ](#)